

# GYMSTICK™

## ALPHA CAGE USER MANUAL



IMPORTANT: Read all instructions carefully before using this product. Retain this owner's manual for future reference. The specifications of this product may vary from this photo, subject to change without notice.



[GYMSTICK.COM](http://GYMSTICK.COM)

BEFORE YOU BEGIN	2	ASSEMBLY DRAWING & PARTS	3
SAFETY INSTRUCTIONS	2	IMPLIED WARRANTY	4

## BEFORE YOU BEGIN

Thank you for choosing the Gymstick Alpha Cage. We take great pride in producing this quality product and hope it will provide many hours of effective exercise to make you feel better, look better and enjoy life to its fullest.

## SAFETY INSTRUCTIONS

- Misuse and abuse of this product is dangerous and can cause serious injuries.
- All purchasers and all persons using the Alpha Cage must become familiar with the manufacturer's recommendations for proper assembly, use and care.
- The owner and supervisors of this product are responsible to make all users aware of these Safety Instructions.
- Place the Alpha Cage on a level and dry surface before use.
- Inspect your the product before each use. Replace any worn, defective, or missing parts.
- This product is not a toy. Do not allow children to use this product. Keep small children and pets away from the product at all times (including assembly).
- Place this product away from walls, structures, fences, play areas, furniture and other exercise equipment. Maintain a clear space on all sides of the product.
- This product should always be used by only one person at a time.
- Always store the product indoors in a dry place.
- For maintenance and cleaning. Please clean the dirt with detergent scour, using dry rag and clean water (do not use gas, dilution or other chemicals).
- The maximum weight load is 400kg.



### **NOTIFICATION!**

Before starting any exercise or conditioning program you should consult with your personal physician to see if you require a complete physical exam. This is especially important if you are over the age of 35, have never exercised before, are pregnant, or suffer from any illness.

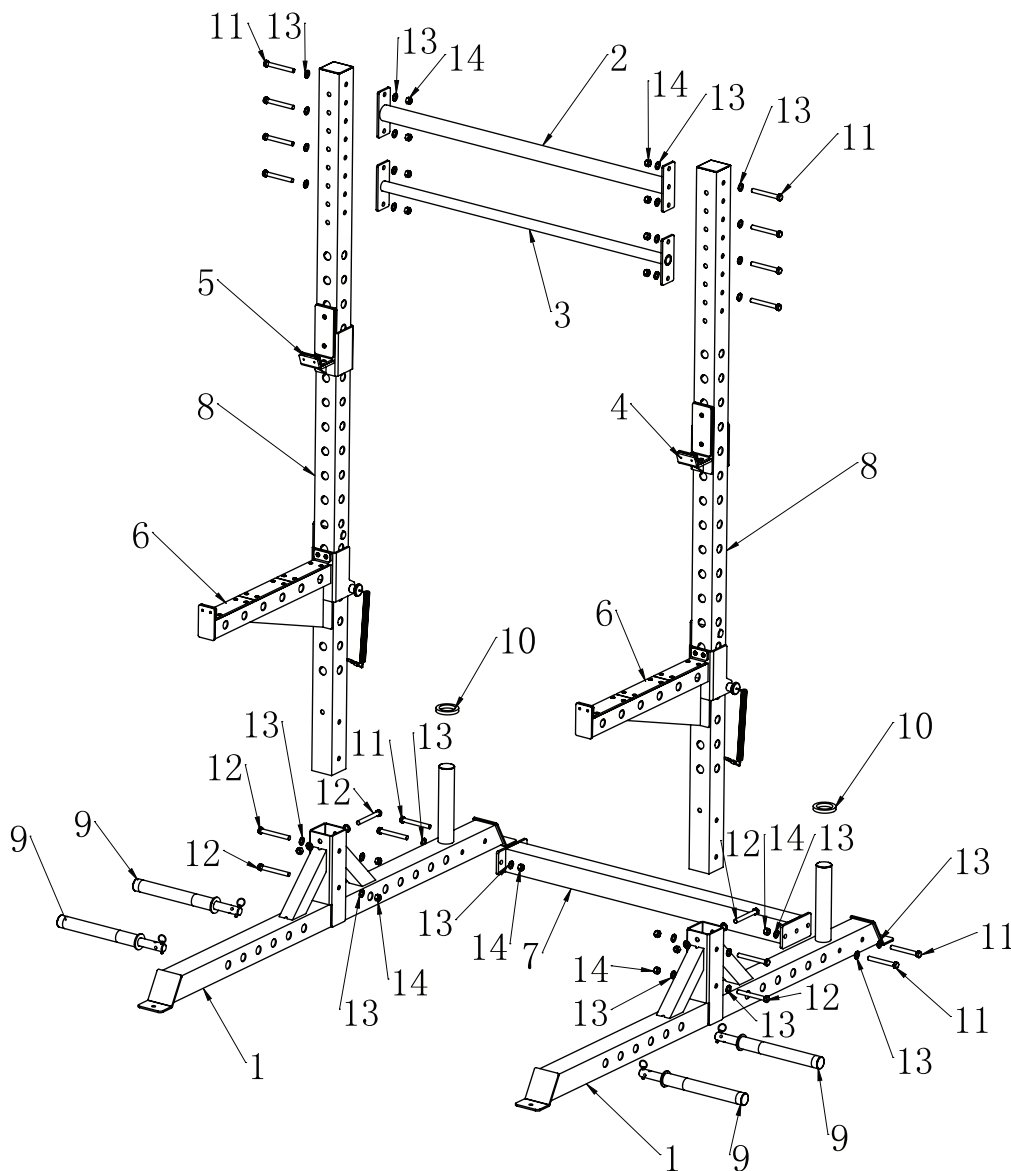


### **WARNING!**

READ AND FOLLOW THE SAFETY INSTRUCTIONS. FAILURE TO FOLLOW THESE INSTRUCTIONS CAN RESULT IN SERIOUS INJURY.

- Prior to assembly, remove components from the box and verify that all the listed parts were supplied.
- It will take two people to assemble this product.
- Hand tighten bolts and nylon until machine is fully assembled.

PART NO.	DESCRIPTION	QTY	PART NO.	DESCRIPTION	QTY
1	Foot Assembly	2	8	Upright	2
2	Connecting Tube A	1	9	CB-PEGBAR25	4
3	Connecting Tube B	1	10	Rubber Pad	2
4	J-Cup	1	11	M12 X 100 Hex Bolt	12
5	J-Cup	1	12	M12 X 105 Hex Bolt	6
6	Safety Catchers	2	13	M12 Washer	36
7	Connecting Tube	1	14	M12 Nylon Nut	18



The importer of this product assures that this device is manufactured with high quality materials.

The prerequisite for the implied warranty is the proper setup in accordance with the operating instructions. Improper use and /or incorrect transportation can void the warranty.

The implied warranty is valid for 3 years, beginning from the date of purchase. For eventual defects please contact the dealer of this product within the guarantee period.

The warranty applies to the following parts (as far as included in the scope of delivery): frame.

### **The guarantee does not cover:**

- Damage effected by outer force
- Intervention by unauthorized parties
- Incorrect handling of the product
- Non-compliance of the operating instructions

Wear parts and expendable parts are also not covered.

Manufactured for:  
Gymstick International Oy  
Ratavartijankatu 11  
15170 Lahti, FINLAND



Devices marked with this symbol must be disposed of separately from your household waste, as they contain valuable materials which can be recycled. Proper disposal protects the environment and human health. Your local authority or retailer can provide information on the matter.

