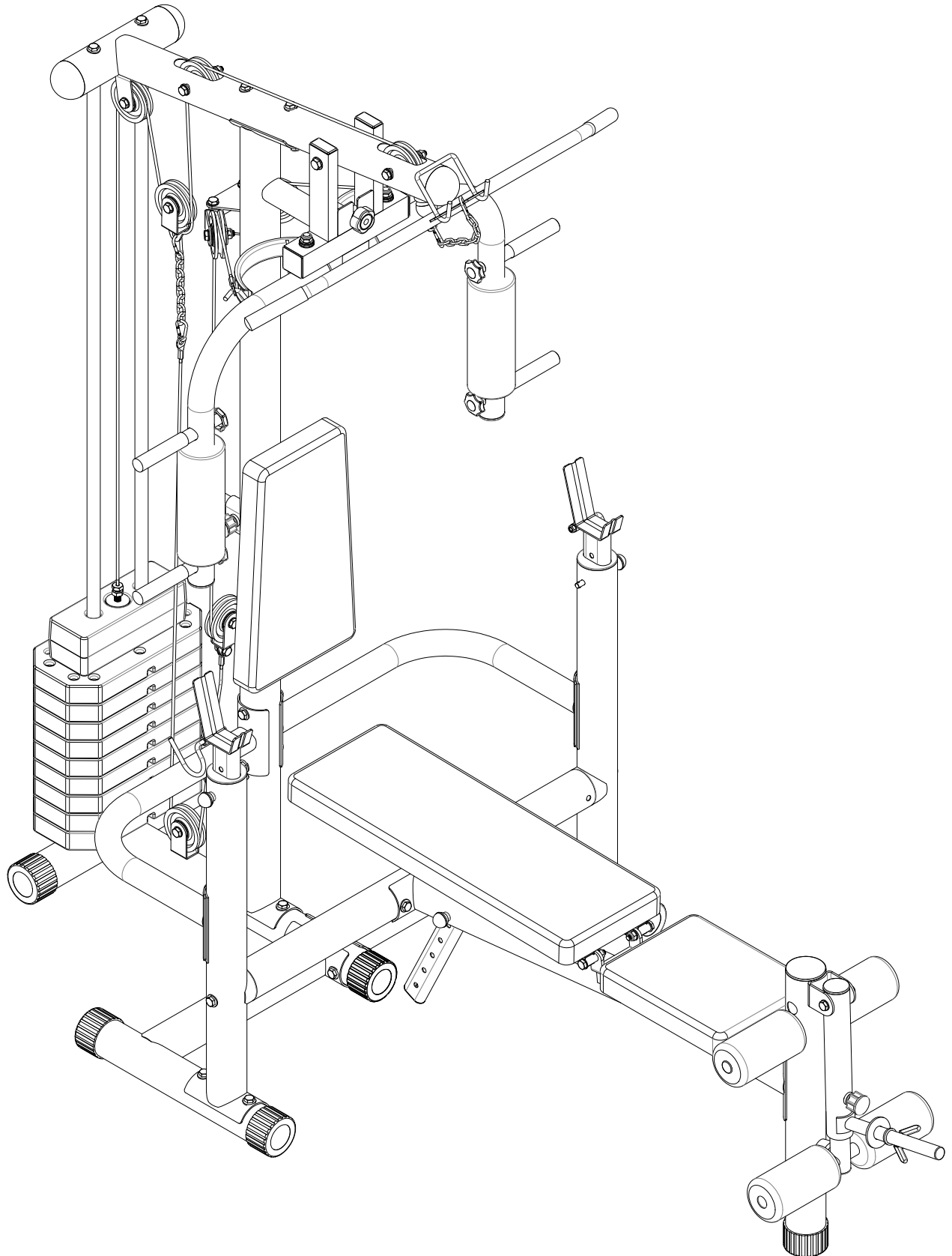


GORILLA SPORTS

Extended Home Gym (100854)





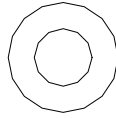
GORILLA SPORTS

Washer: (Φ 8)



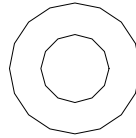
12X

Washer: (Φ 10)



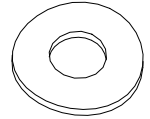
30X

Washer: (Φ 12)



4X

Arc Washer: (Φ 10)



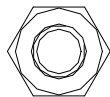
29X

Lock Nut: (M8)



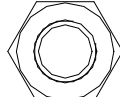
1X

Lock Nut: (M10)



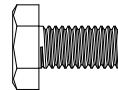
20X

Lock Nut: (M12)



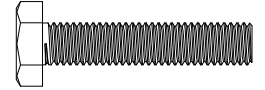
3X

Hex Bolt: (M8*20)



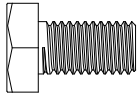
6X

Hex Bolt: (M8*40)



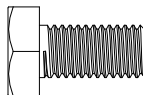
5X

Hex Bolt: (M10*16)



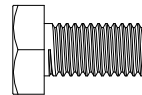
4X

Hex Bolt: (M10*20)



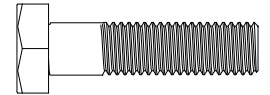
4X

Hex Bolt: (M10*25)



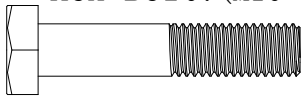
9X

Hex Bolt: (M10*40)



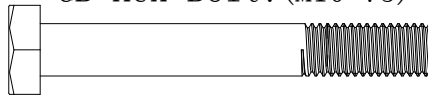
2X

Hex Bolt: (M10*50)



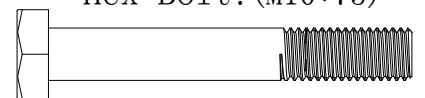
8X

GB Hex Bolt: (M10*75)



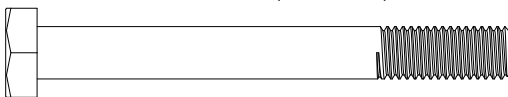
1X

Hex Bolt: (M10*75)



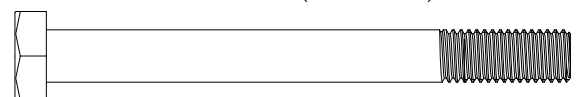
2X

Hex Bolt: (M10*95)



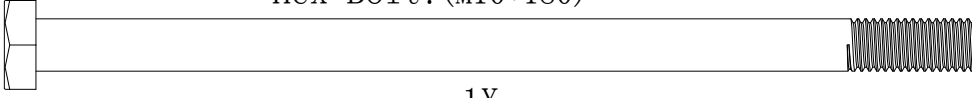
2X

Hex Bolt: (M10*100)



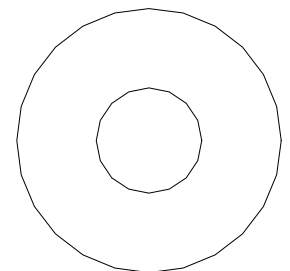
6X

Hex Bolt: (M10*180)



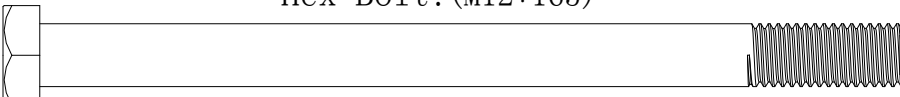
1X

Big Washer: (Φ 12)



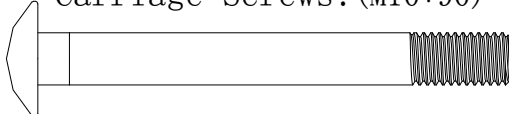
1X

Hex Bolt: (M12*165)



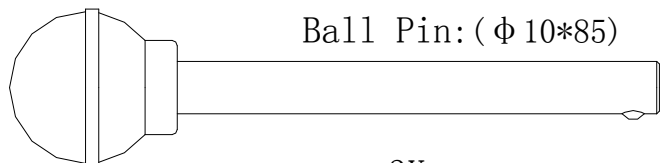
1X

Carriage Screws: (M10*90)



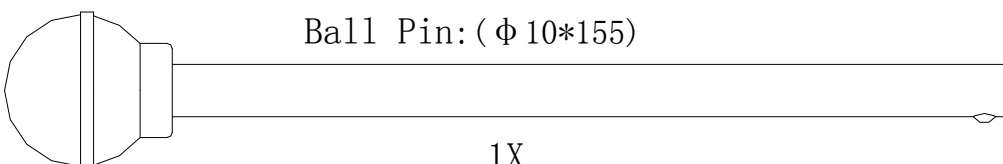
2X

Ball Pin: (Φ 10*85)



3X

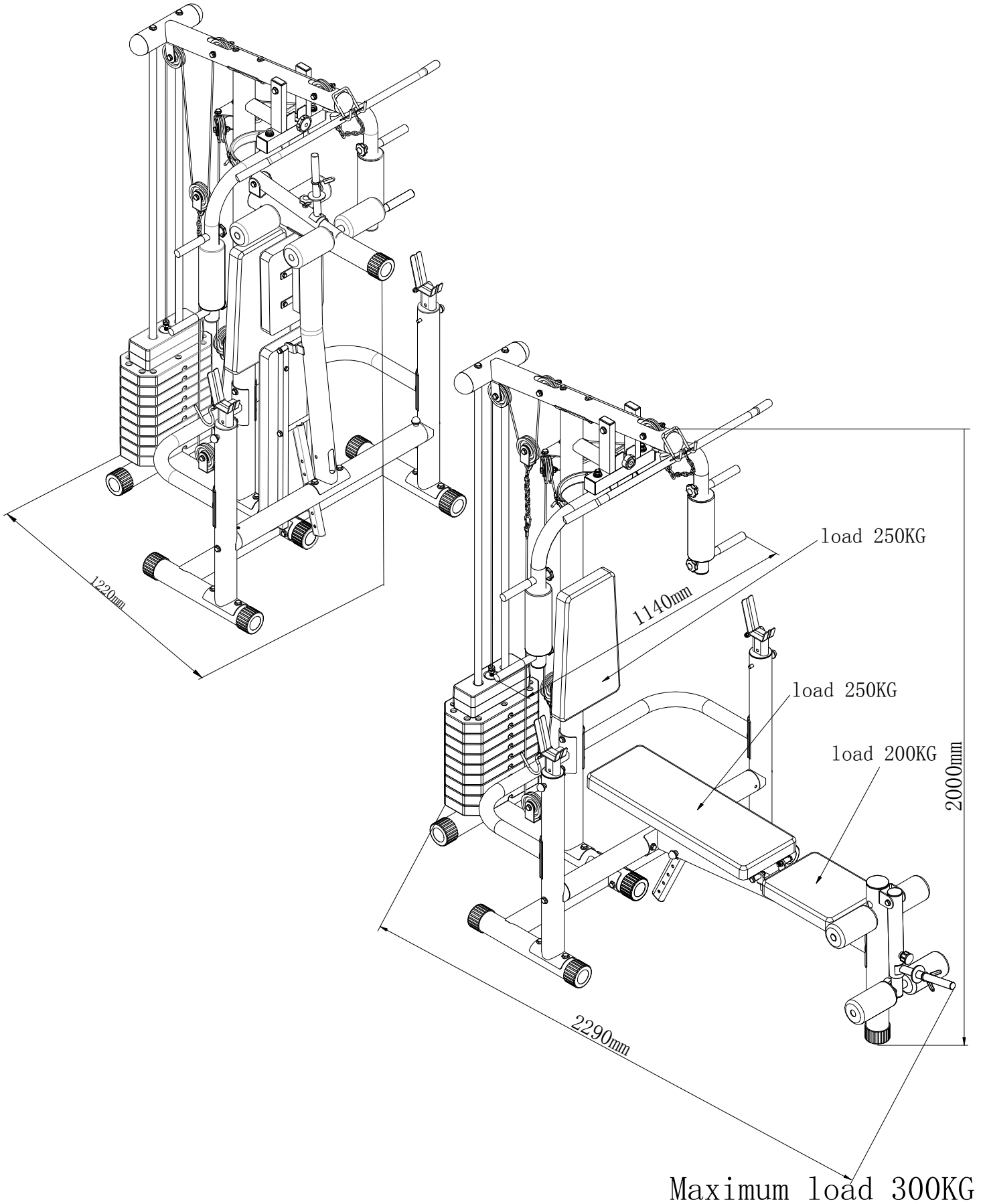
Ball Pin: (Φ 10*155)



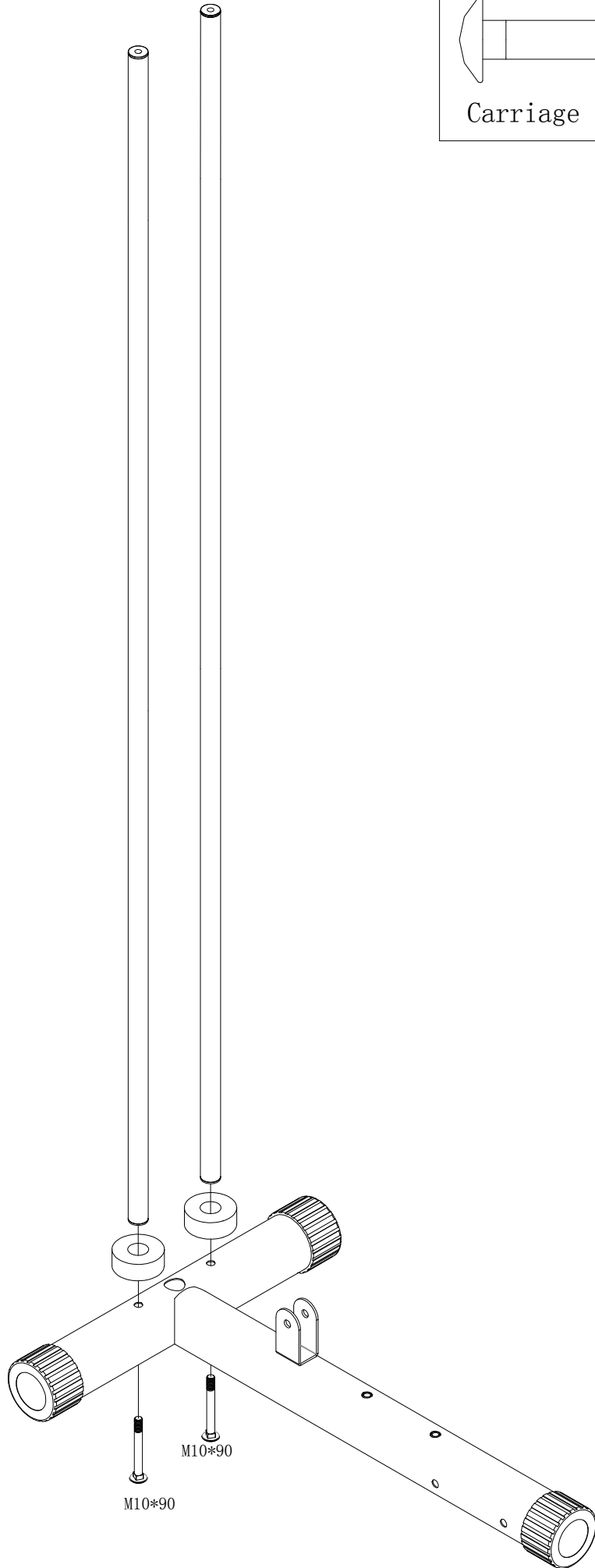
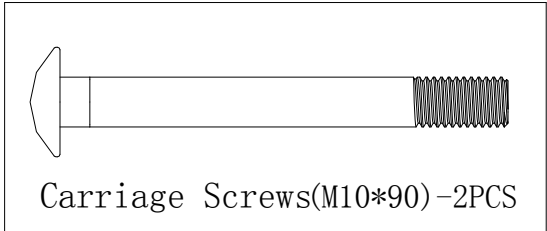
1X



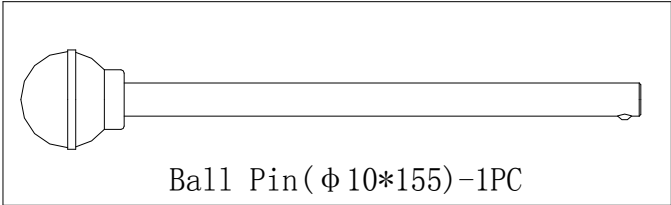
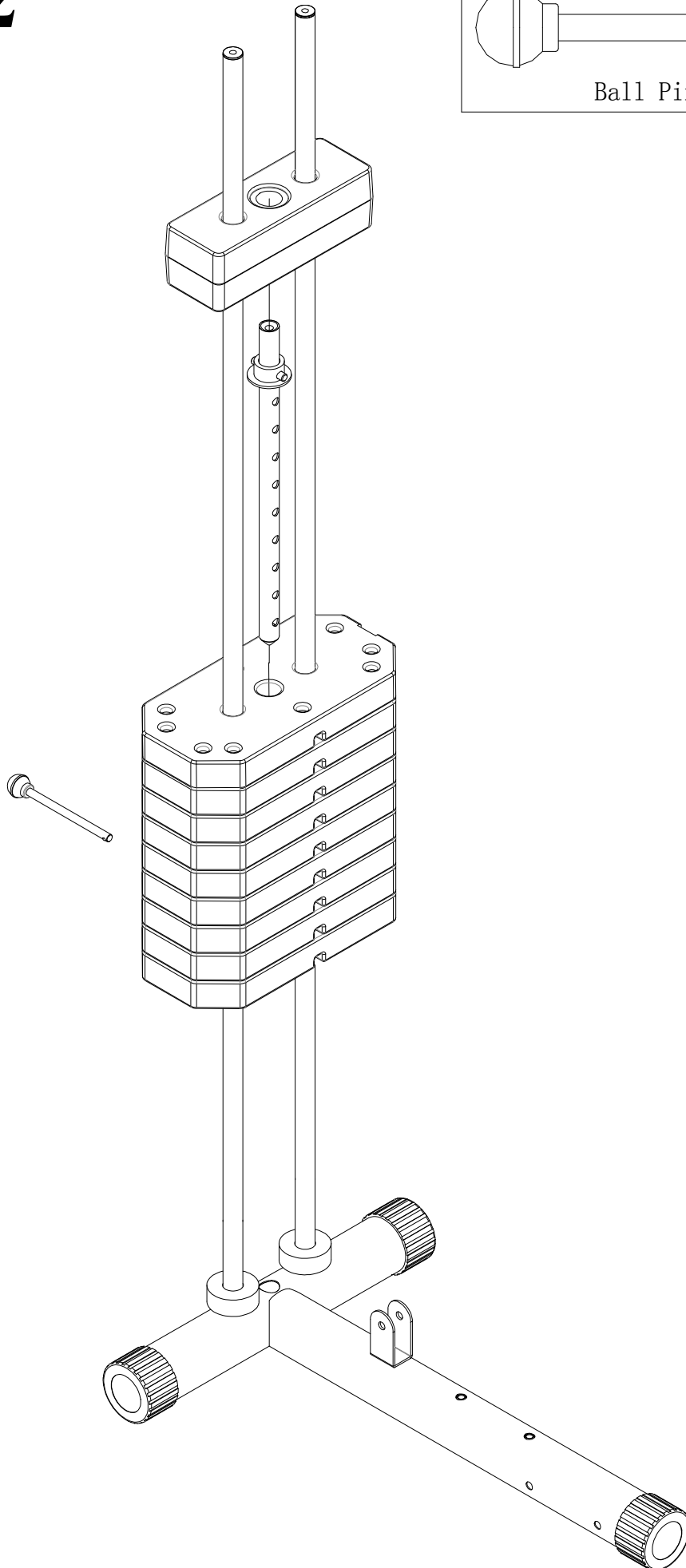
GORILLA SPORTS



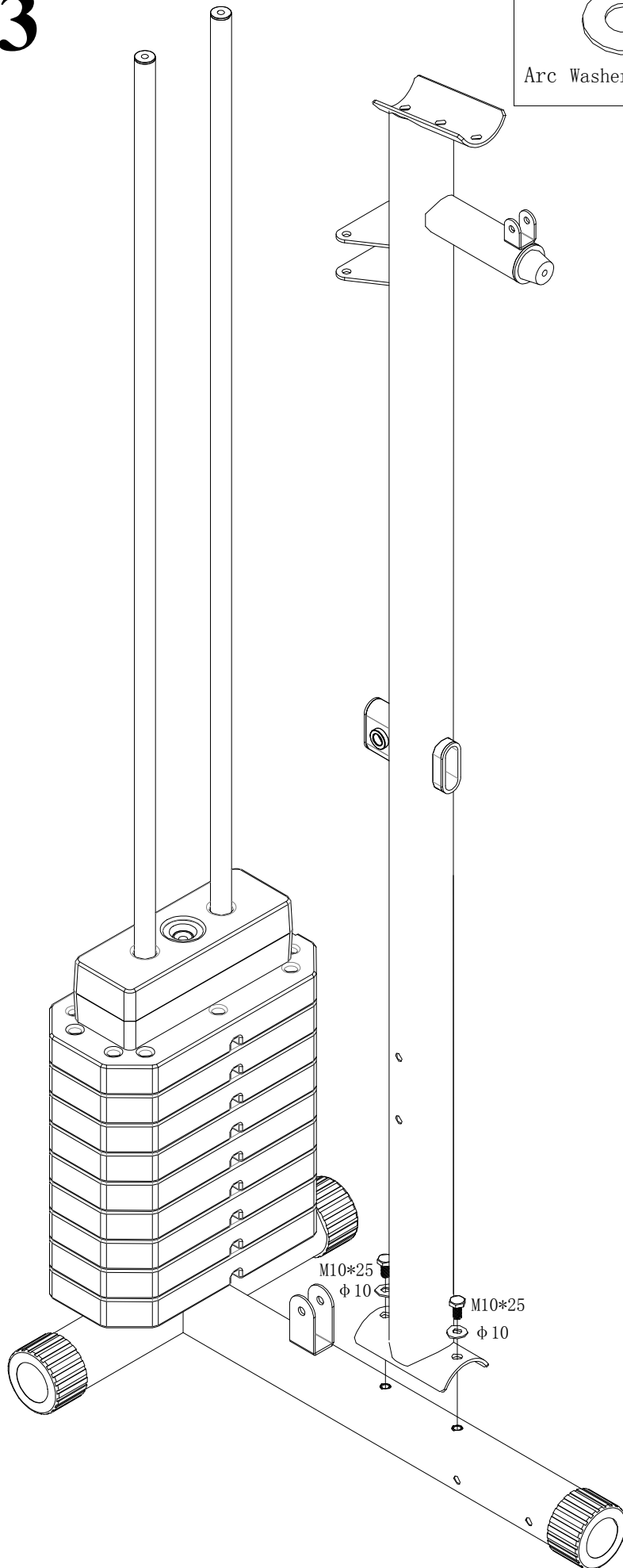
1



2

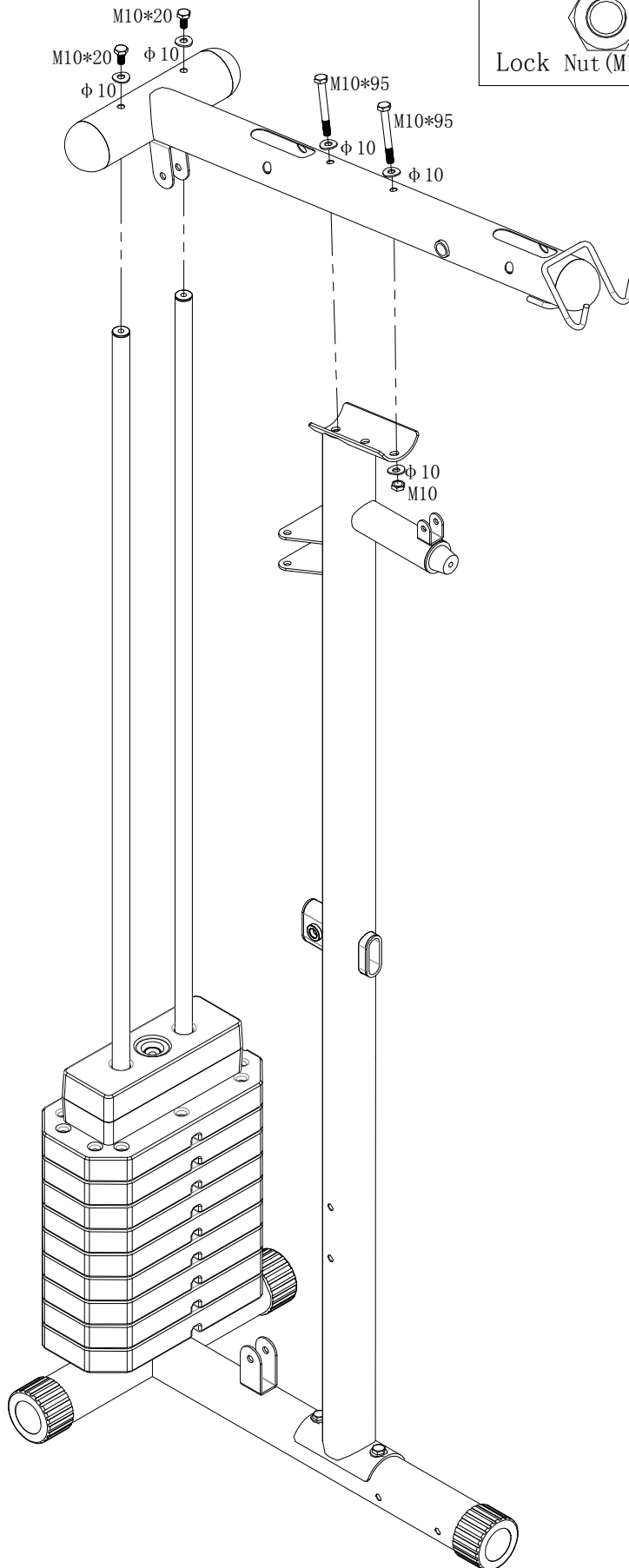


3



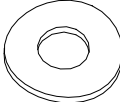
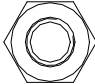
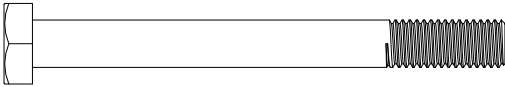
Arc Washer (φ 10)-2PCS	Hex Bolt (M10*25)-2PCS

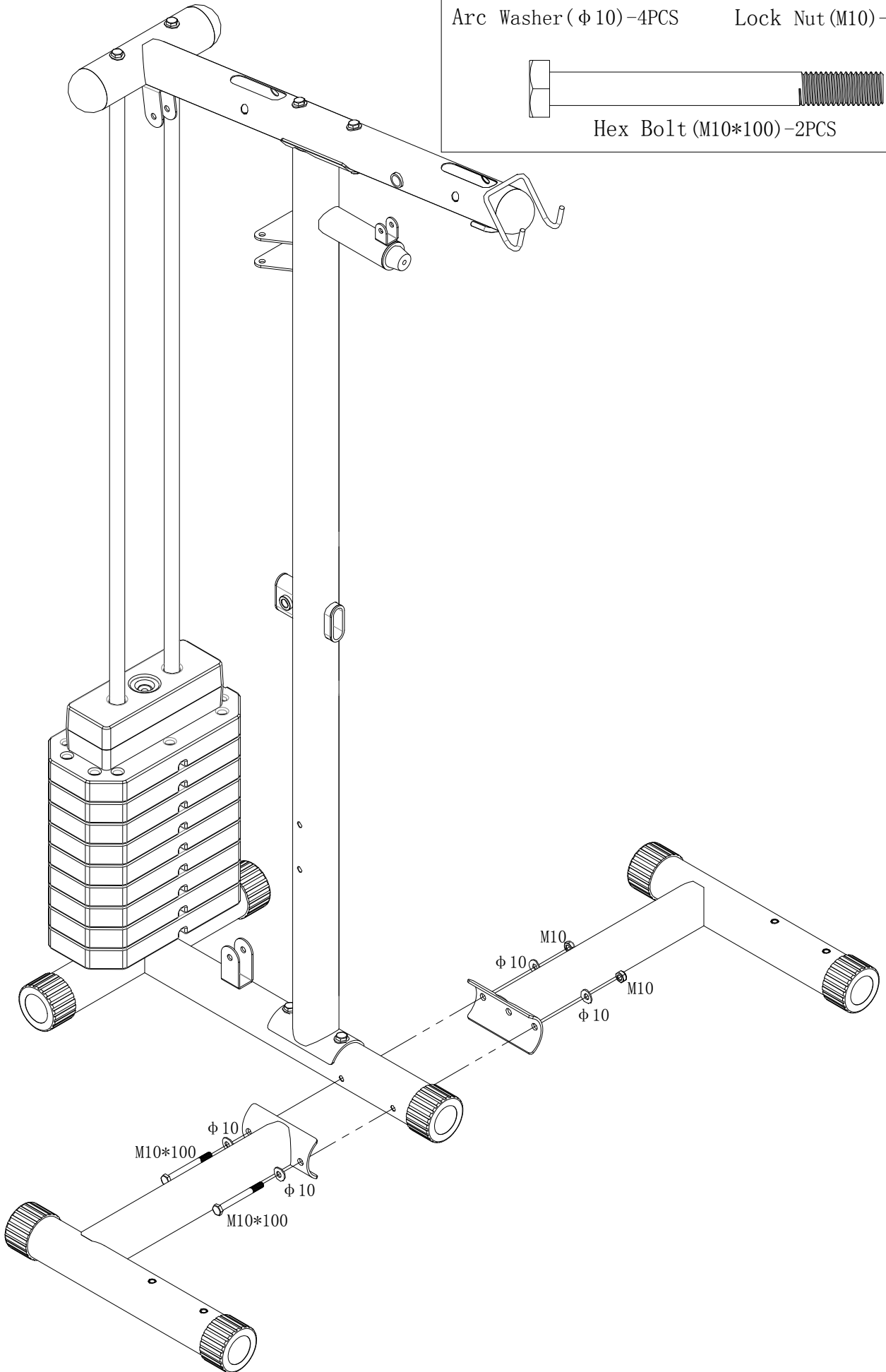
4



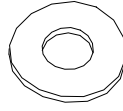
Arc Washer (φ 10) -5PCS	Hex Bolt (M10*20) -2PCS
Lock Nut (M10) -1PC	Hex Bolt (M10*95) -2PCS

5

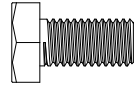
	
Arc Washer ($\phi 10$)-4PCS	Lock Nut (M10)-2PCS
	
Hex Bolt (M10*100)-2PCS	



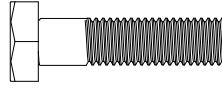
6



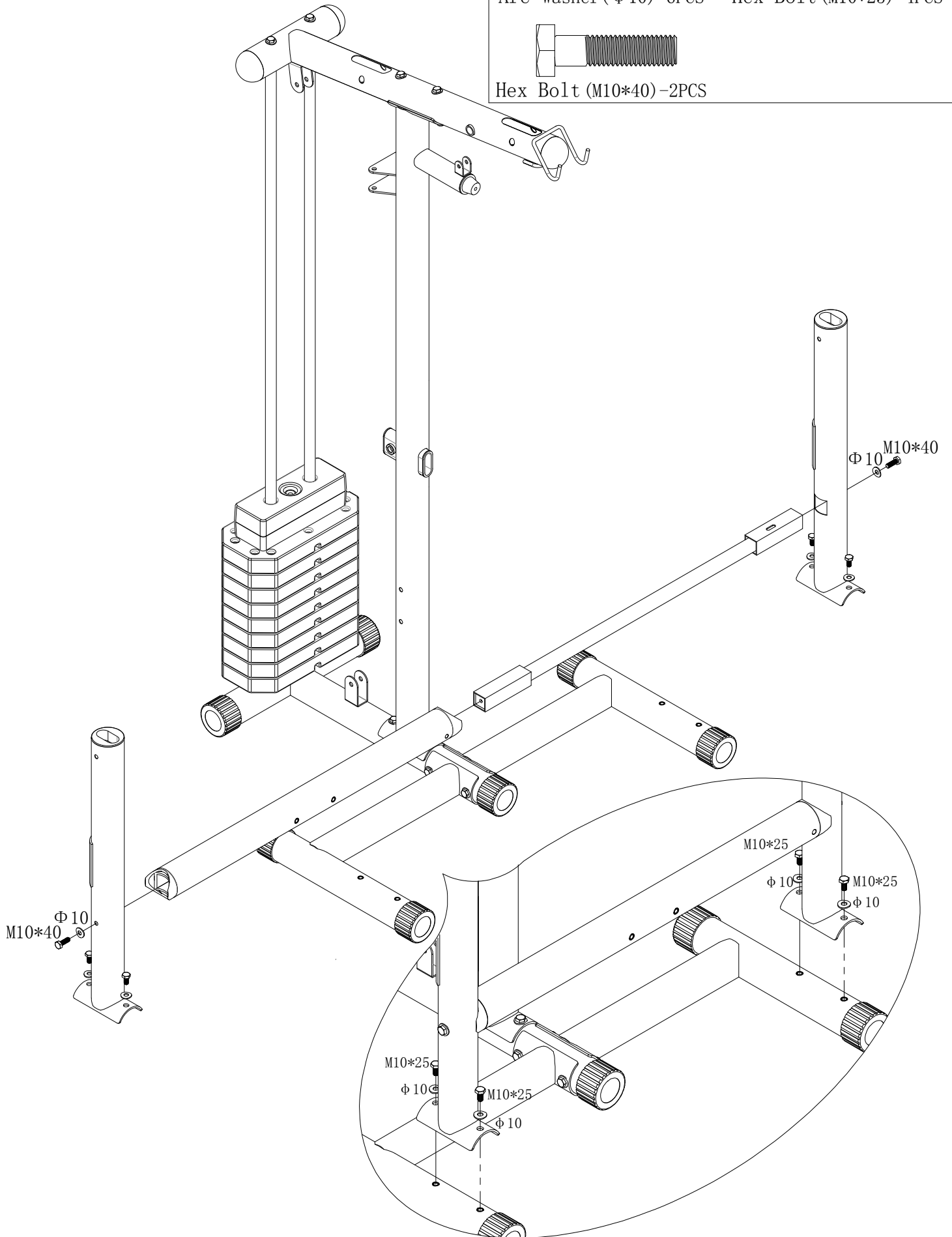
Arc Washer (φ 10)-6PCS



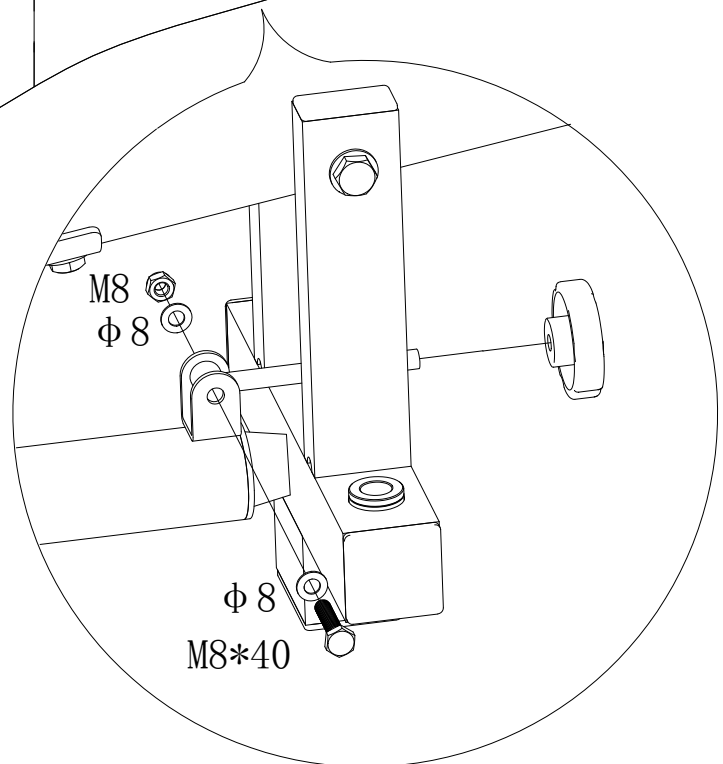
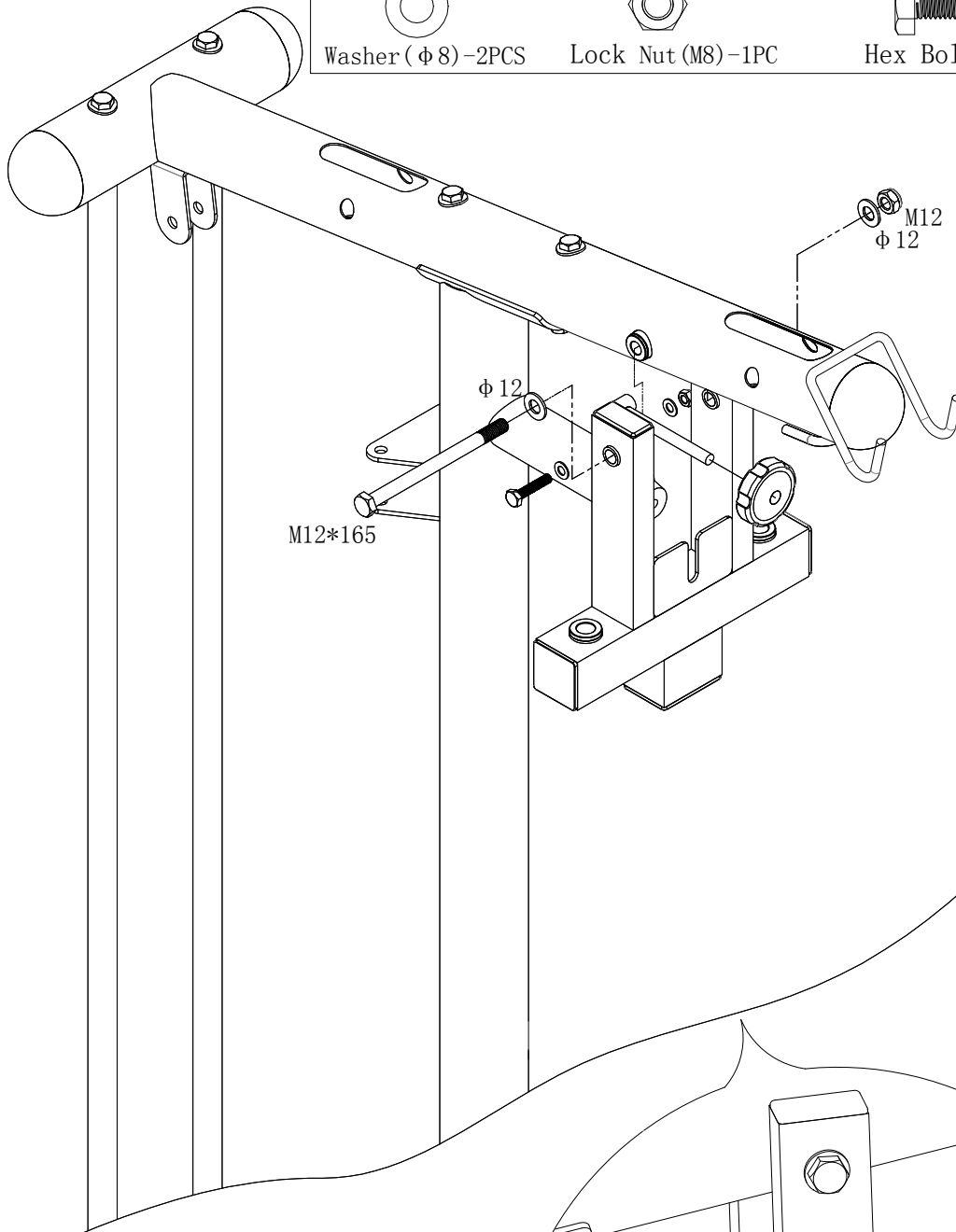
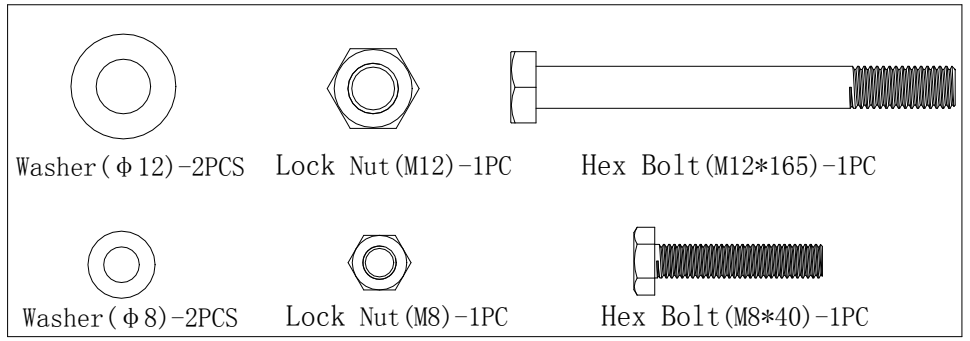
Hex Bolt (M10*25)-4PCS



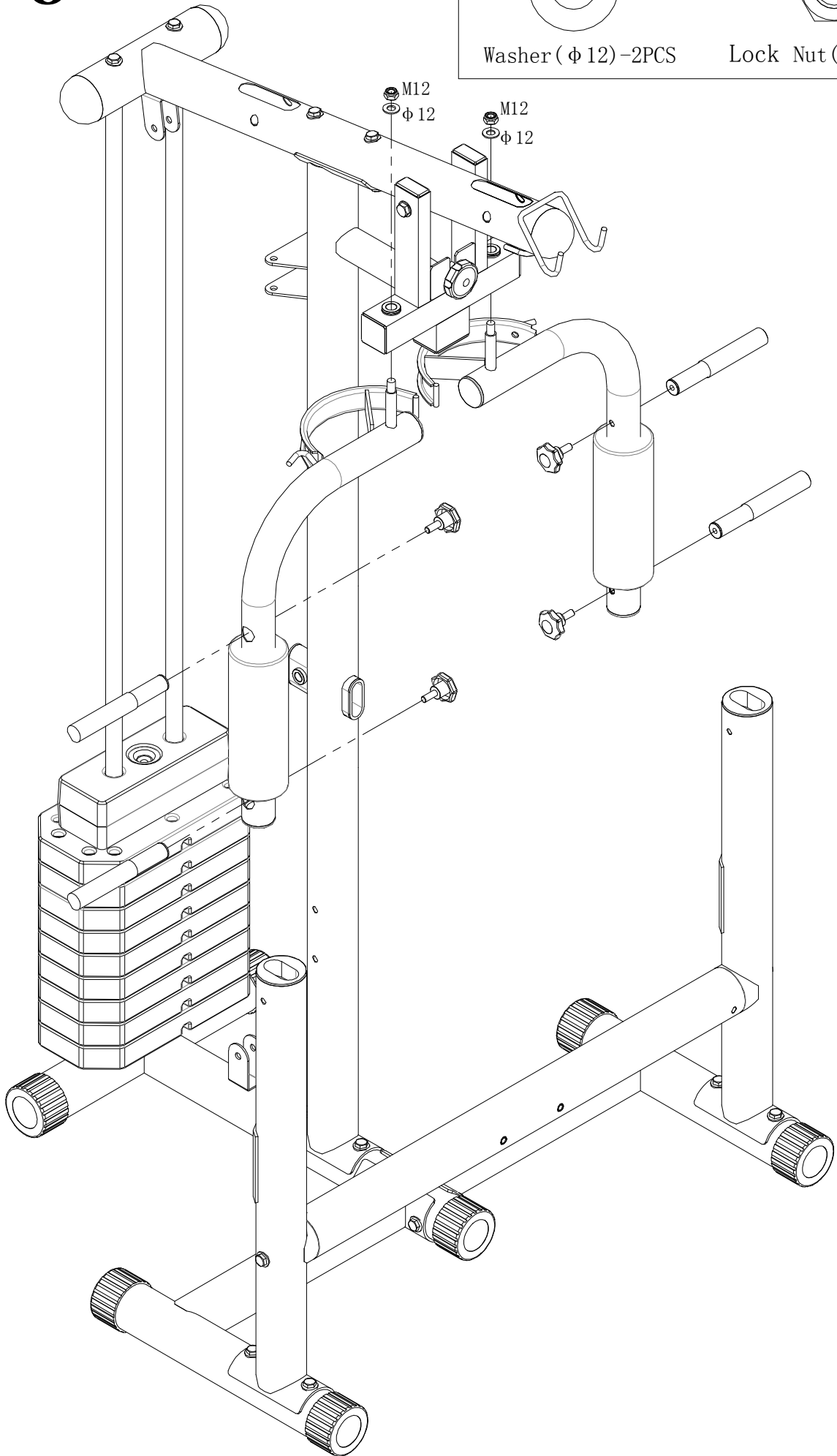
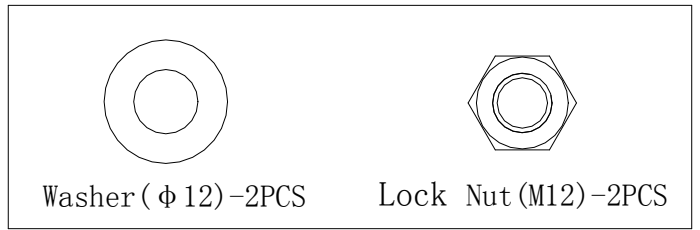
Hex Bolt (M10*40)-2PCS



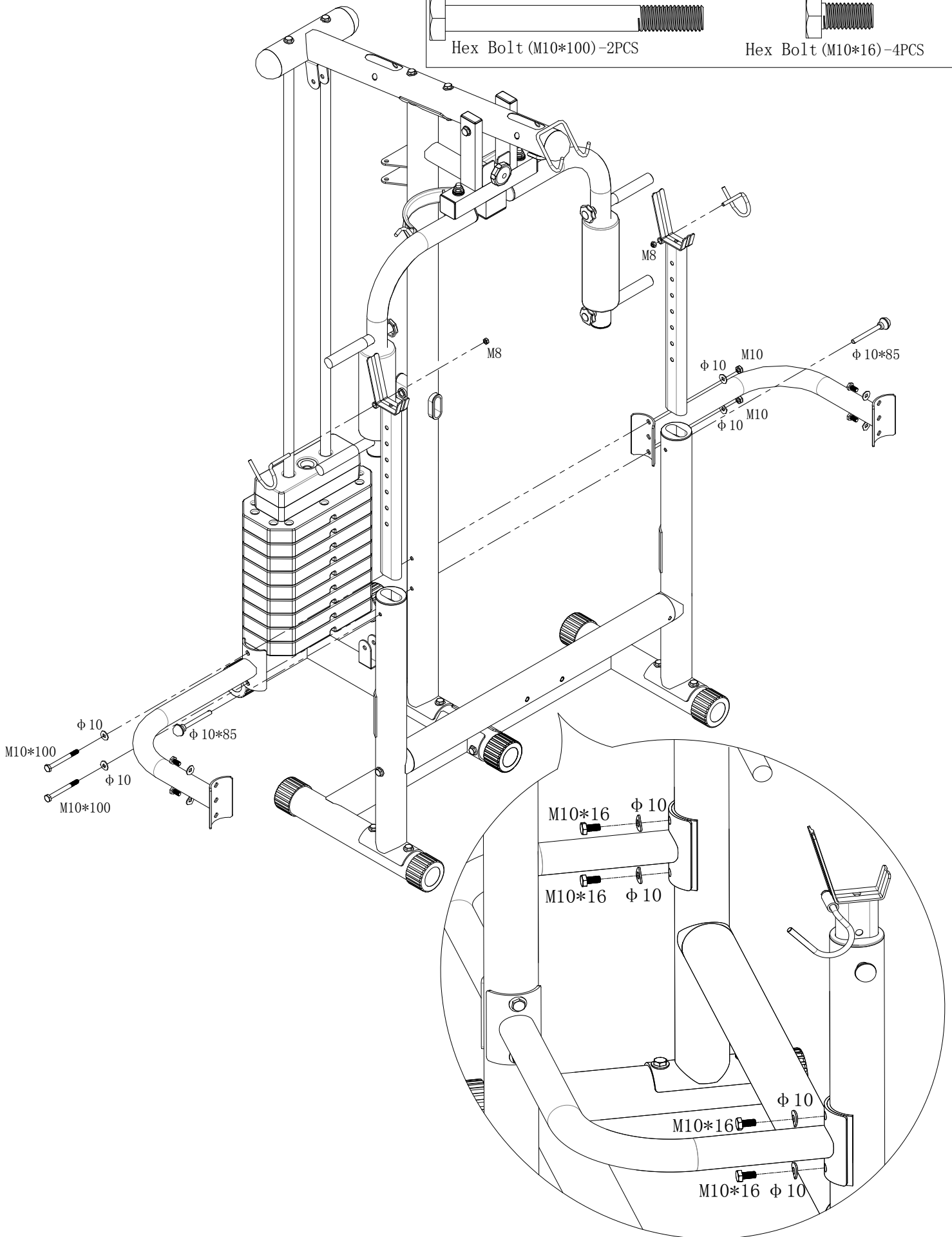
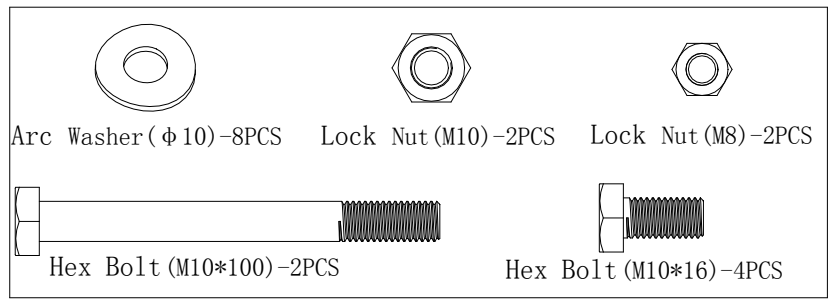
7



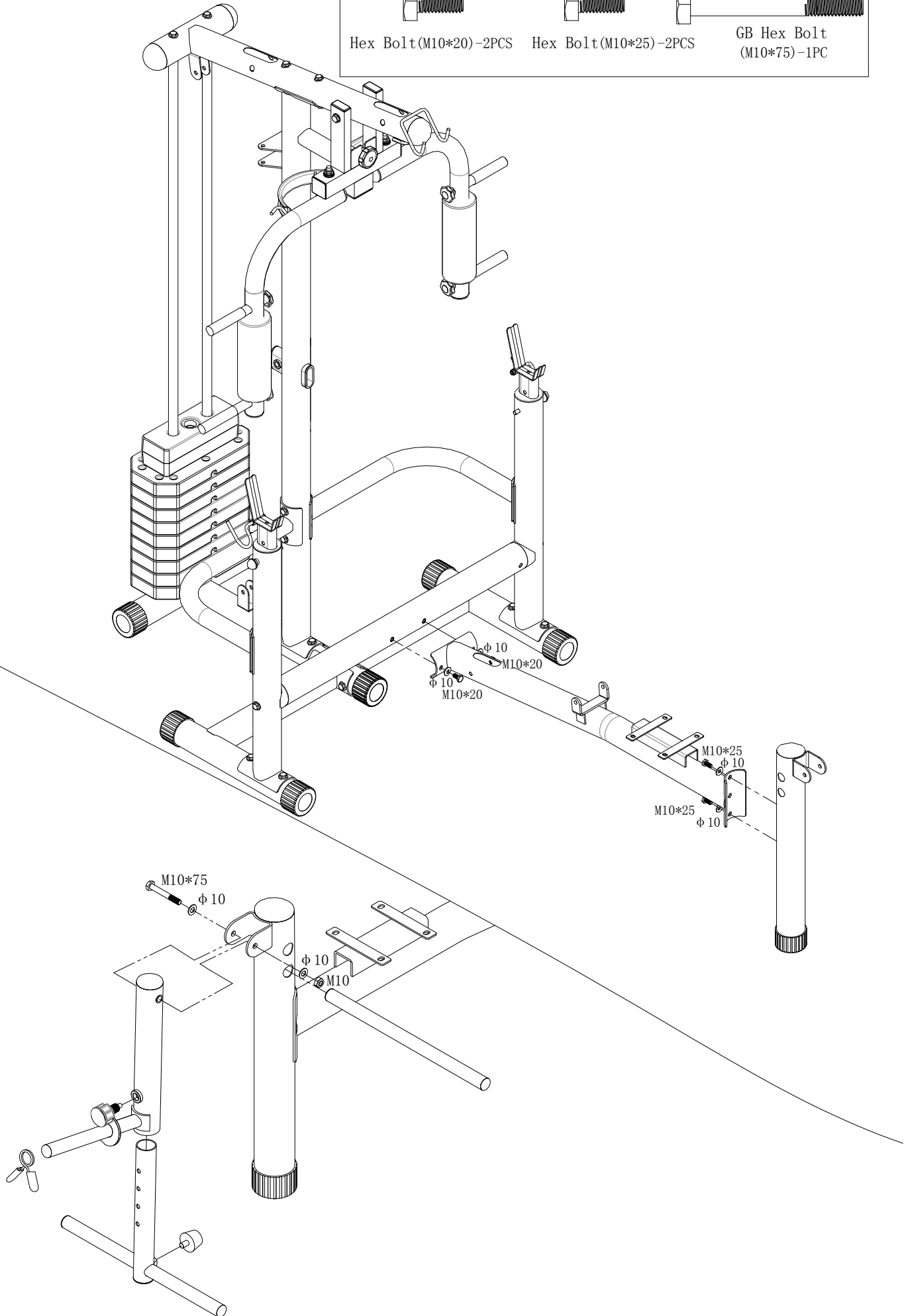
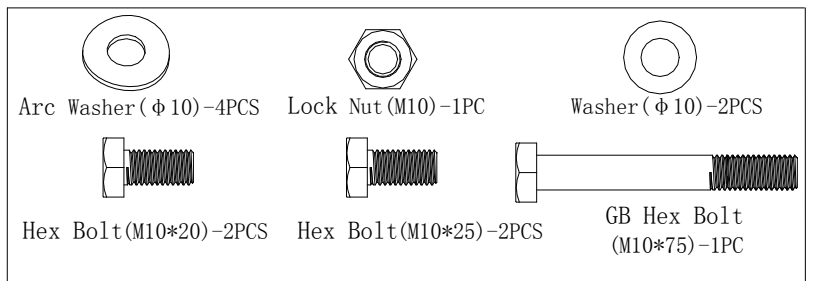
8



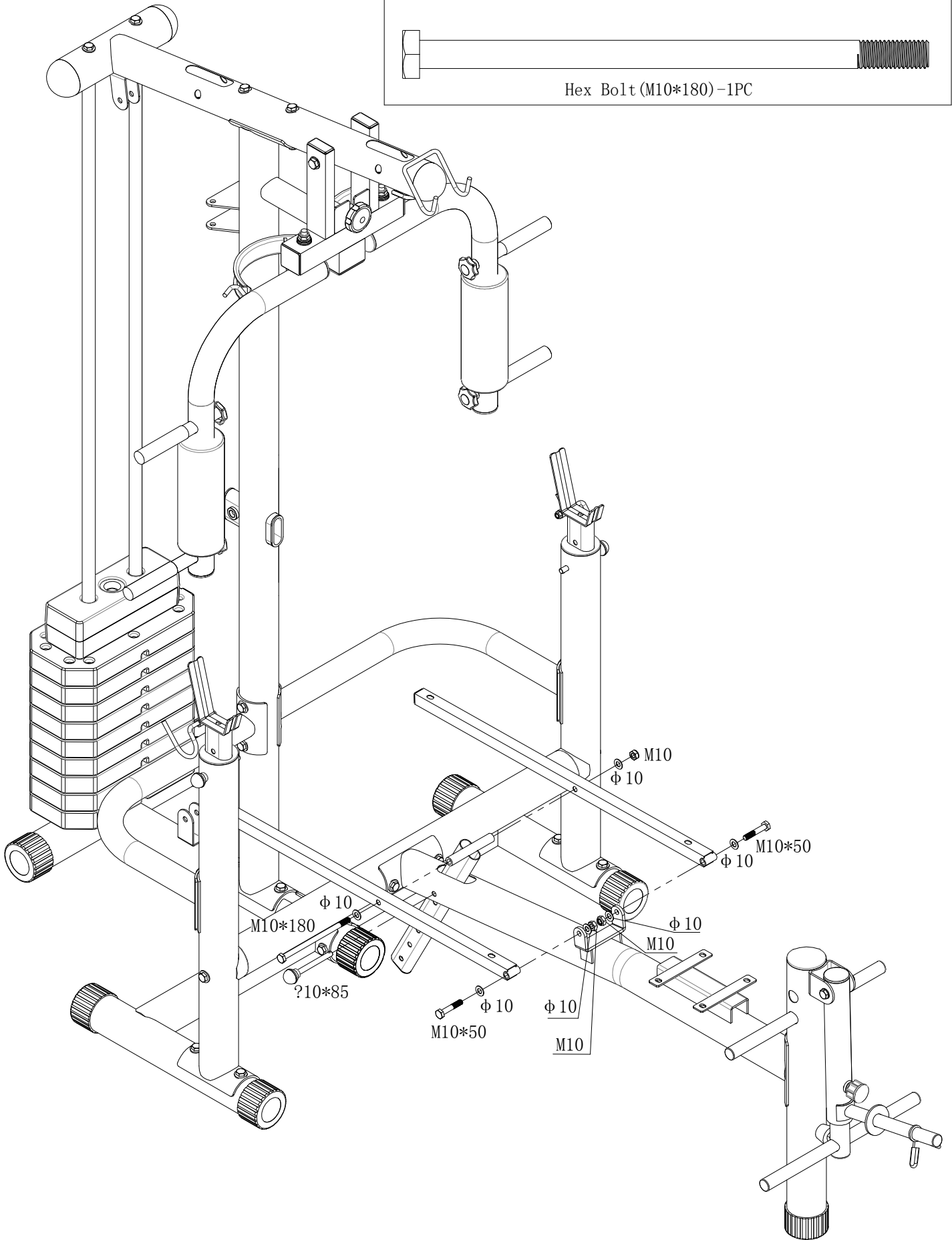
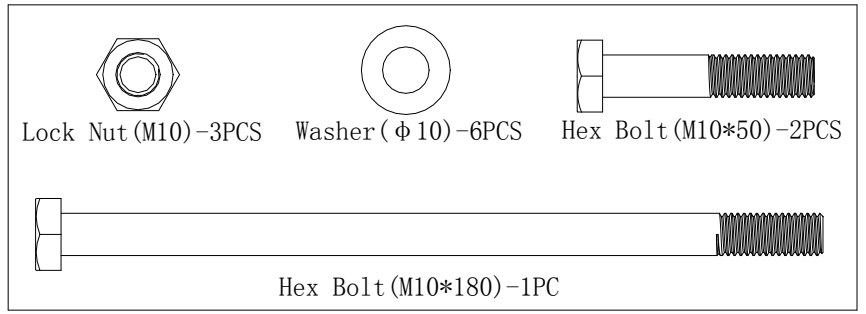
9





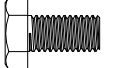
10

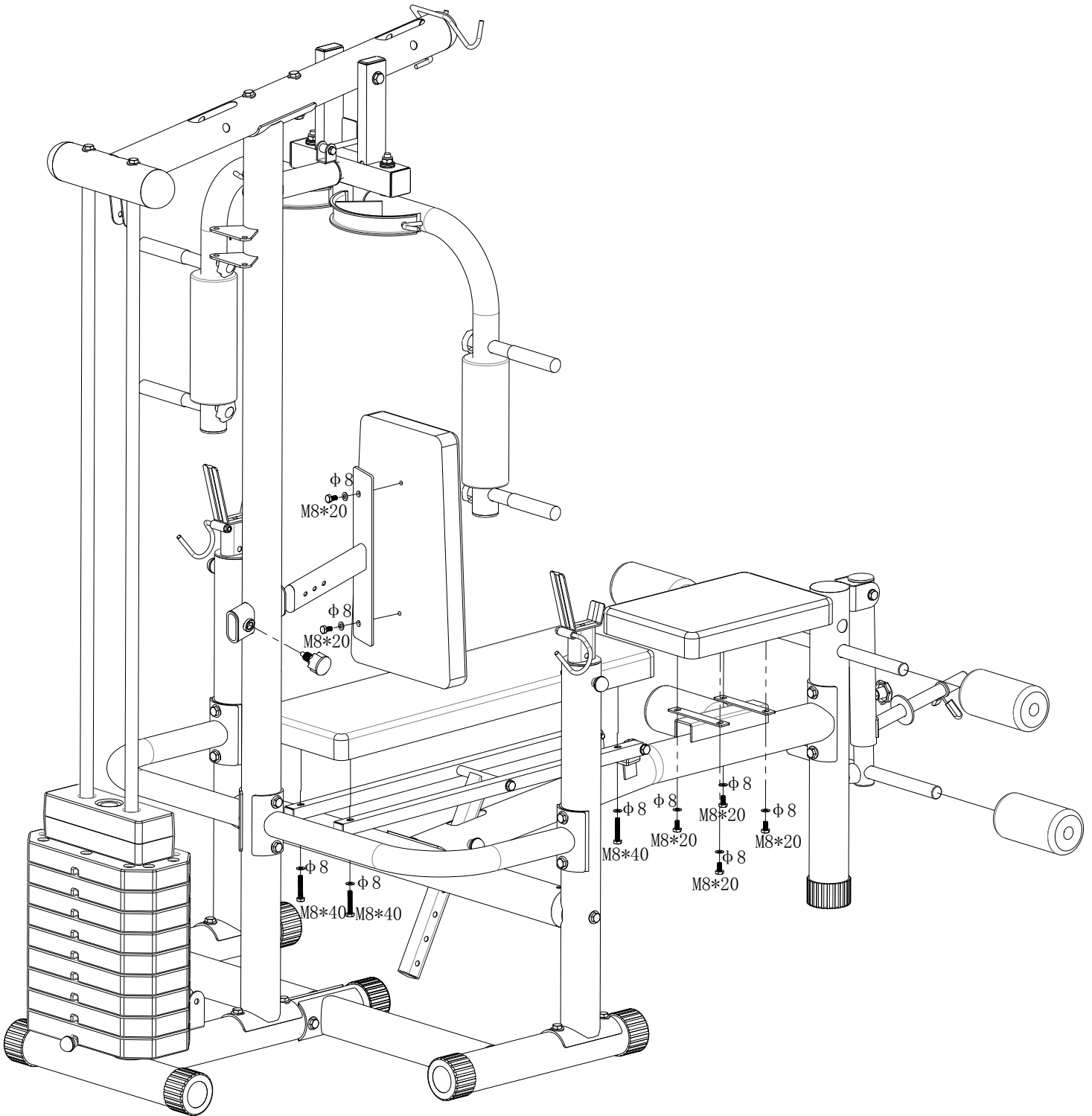


11



12

		
Washer (Φ 8) -10PCS	Hex Bolt (M8*40) -4PCS	Hex Bolt (M8*20) -6PCS



13

