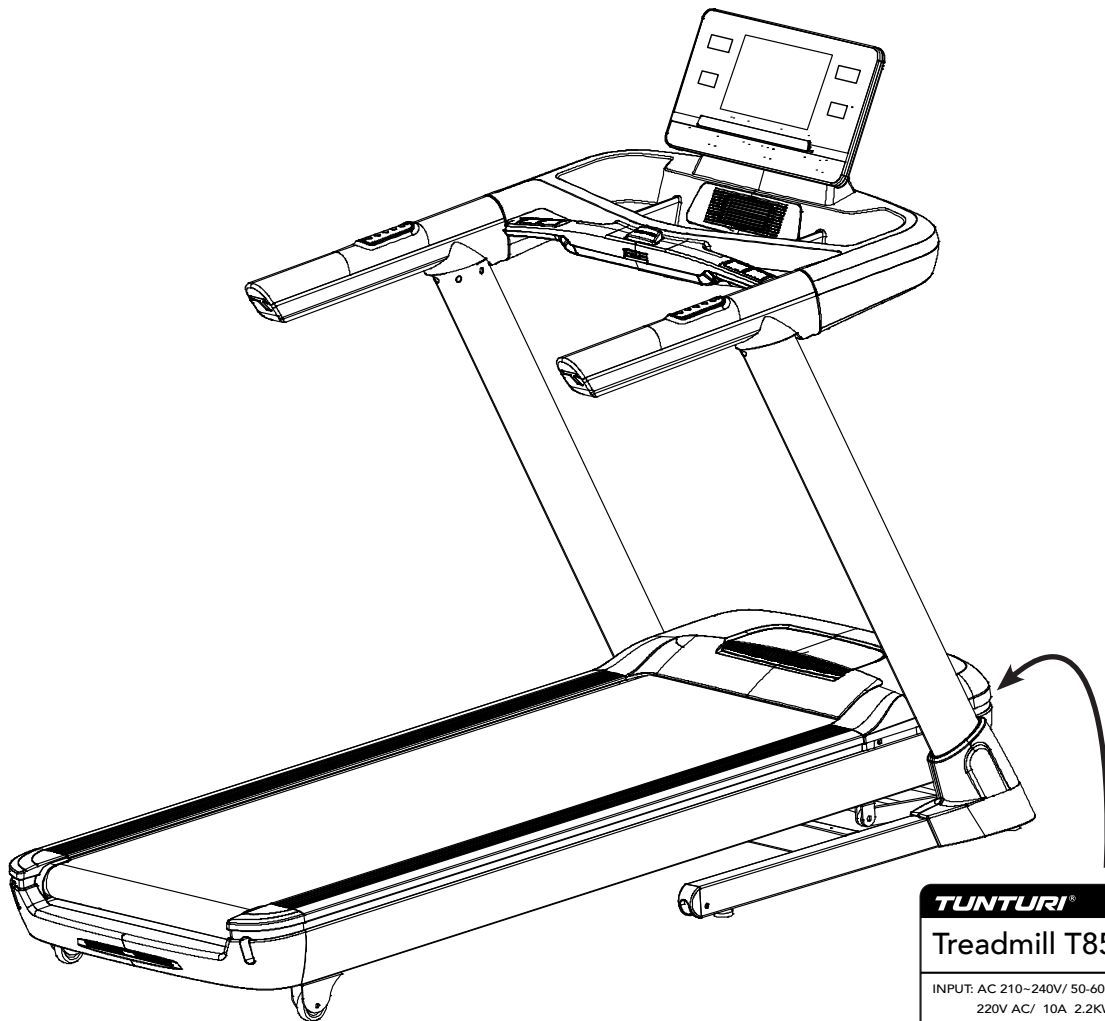





TUNTURI®

T85 Treadmill

GB	User manual	17 - 27
DE	Benutzerhandbuch	28 - 39
FR	Manuel de l'utilisateur	40 - 52
NL	Gebruikershandleiding	52 - 61
IT	Manuale d'uso	63 - 73
ES	Manual del usuario	74 - 84
SV	Bruksanvisning	85 - 94
SU	Käyttöohje	95 -105



TUNTURI®	
Treadmill T85	CE
INPUT: AC 210~240V/ 50-60HZ 220V AC/ 10A 2.2KW	
MAX USER WEIGHT: 150 KGS HOME USE / MADE IN CHINA	EN957/ Class HA  
Serial number:	

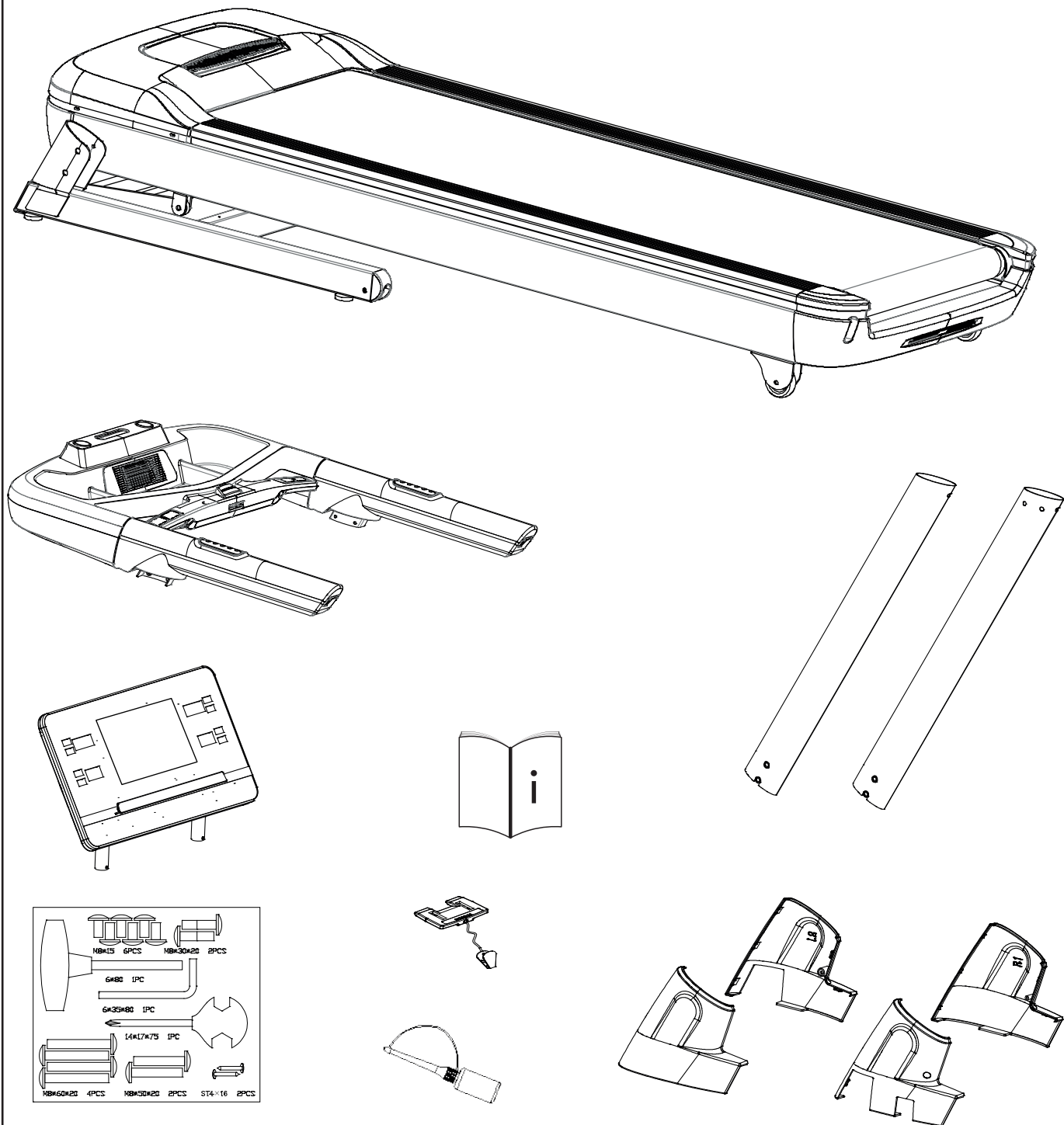
Attention, Achtung, Attention, Attentie, Attenzione, Atención, Giv akt, Huomio

- Please read this Owner's manual before assembling this product.
- Bitte lesen Sie dieses Handbuch durch, bevor Sie mit er Montage dieses Produkts beginnen.
- Veuillez lire ce manuel avant de commencer le montage de ce produit.
- Leest u deze handleiding voordat u dit apparaat installeert.
- Leggere questo manuale prima di assemblare questo prodotto.
- Lea este manual antes de montar este producto
- Läs bruksanvisningen innan du monterar denna produkt
- Lue tämä käsikirja ennen kokoamista tuotetta

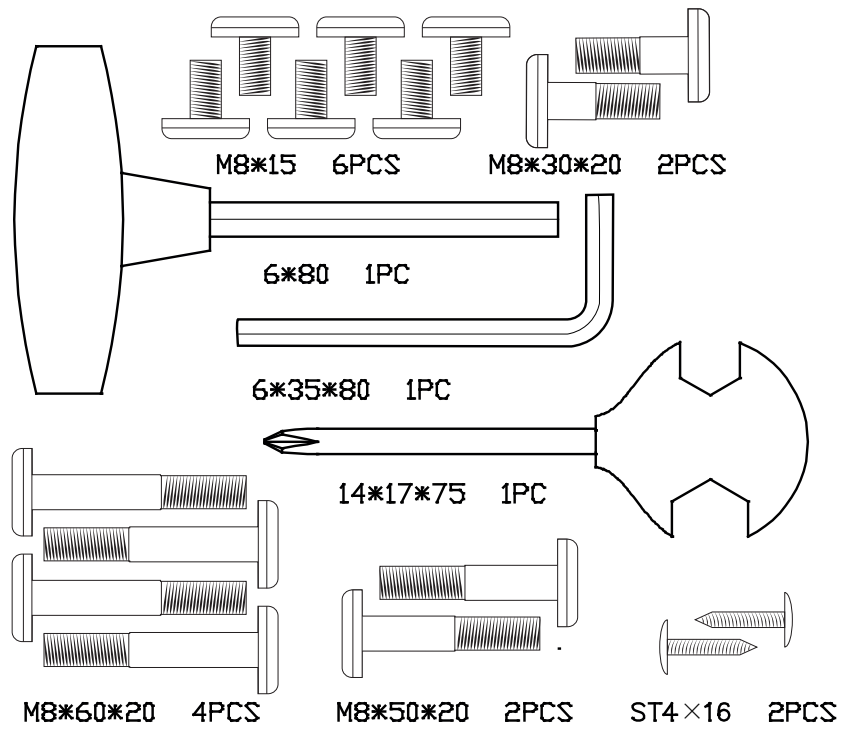
A



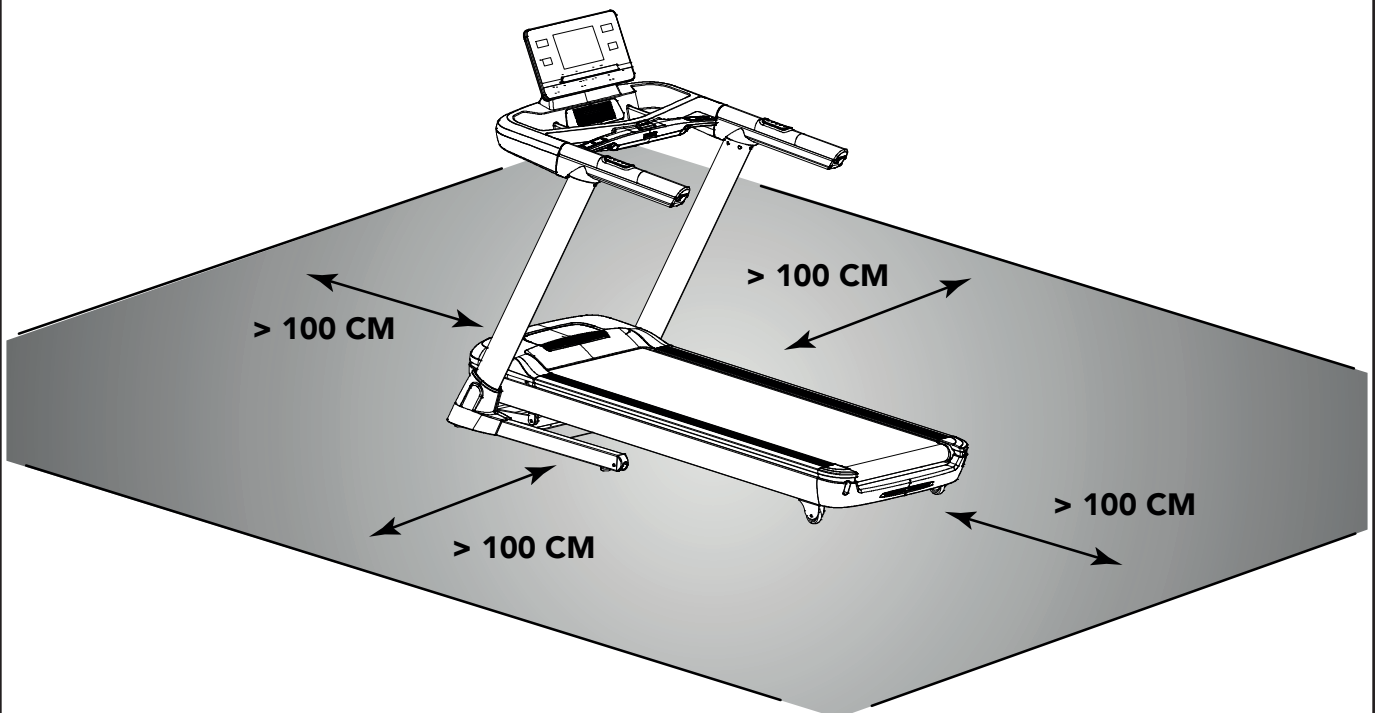
B



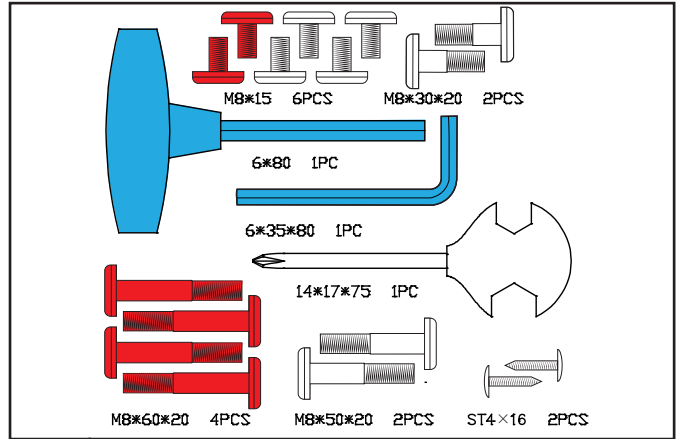
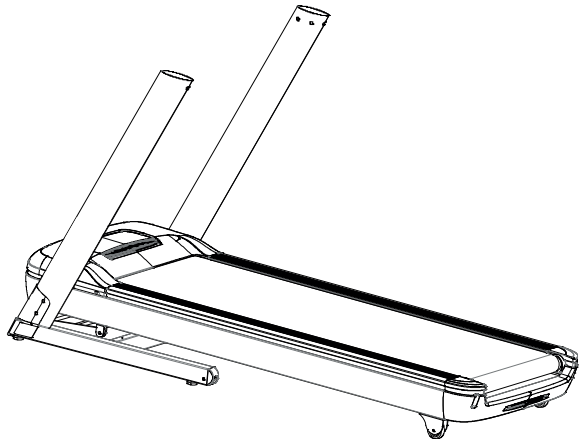
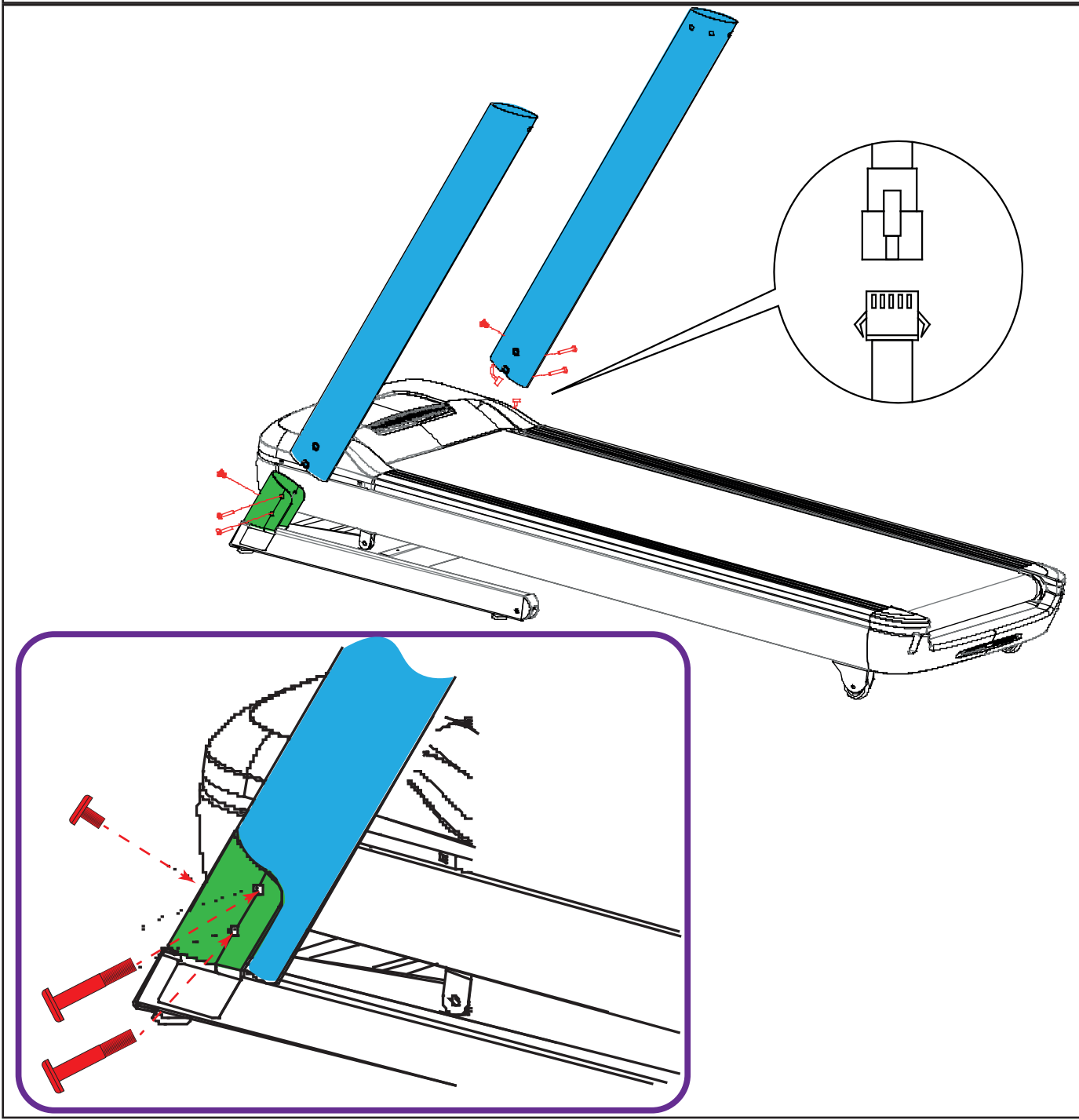
C



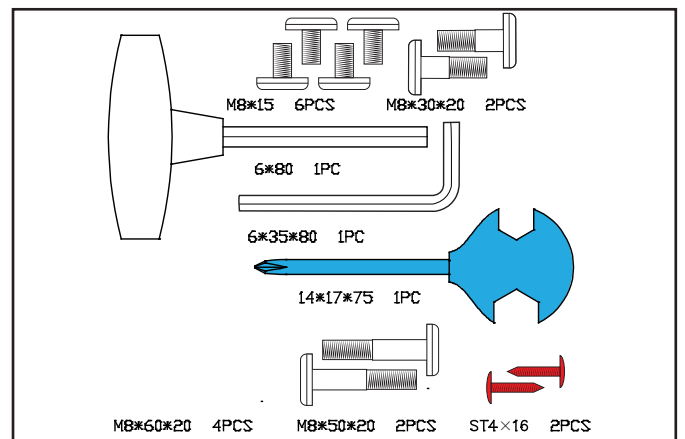
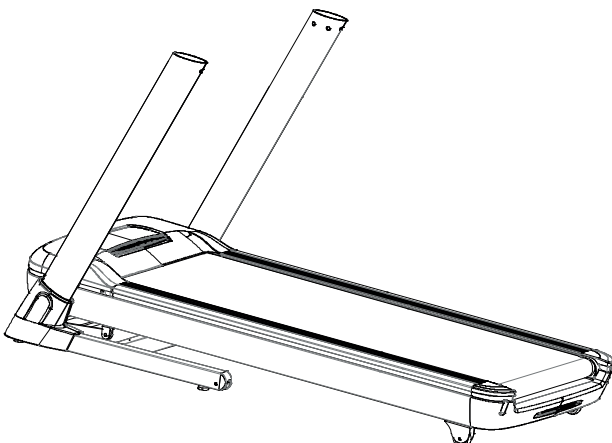
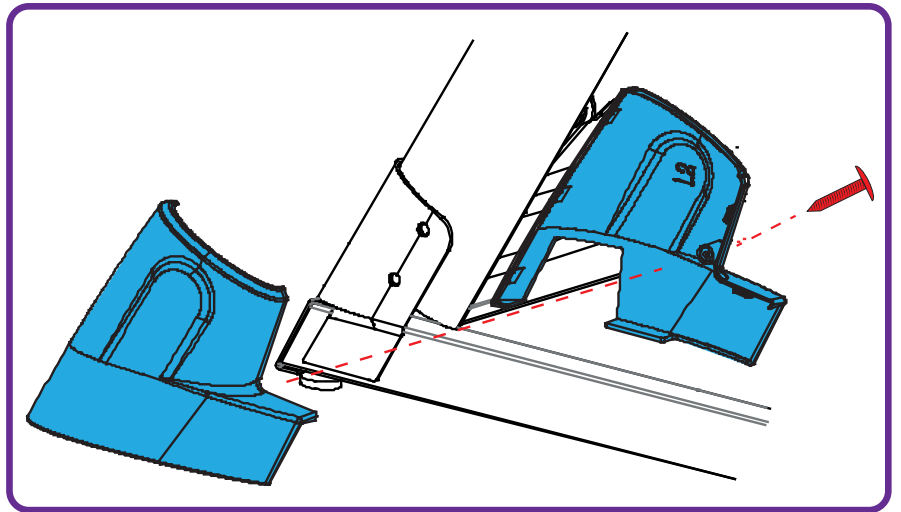
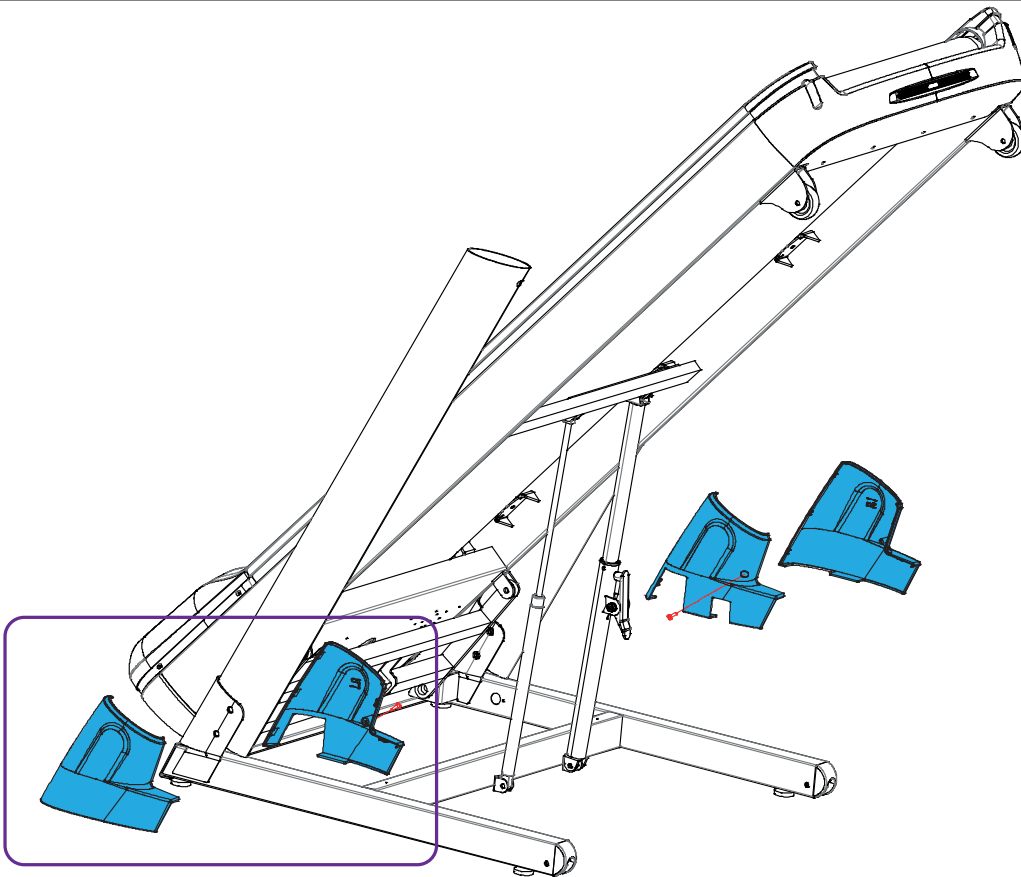
D-0



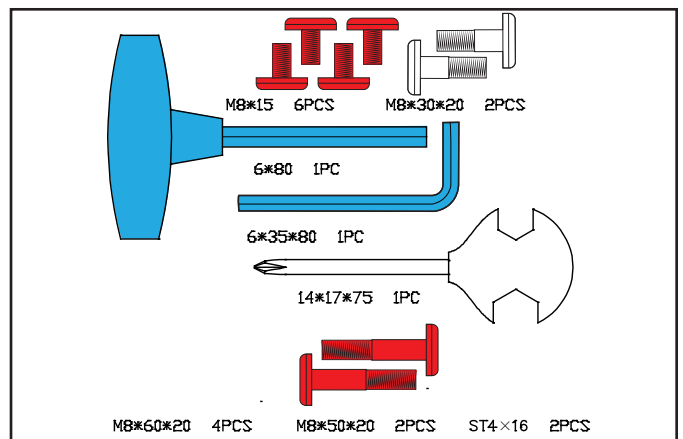
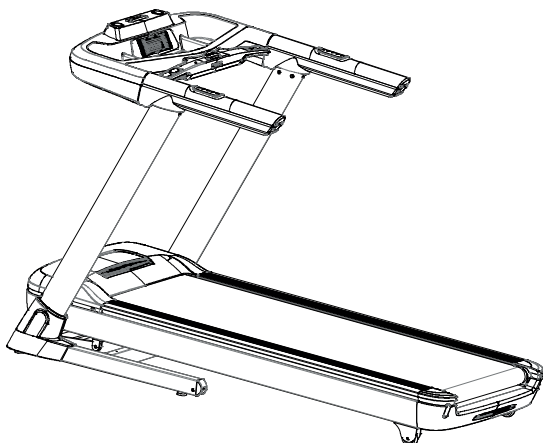
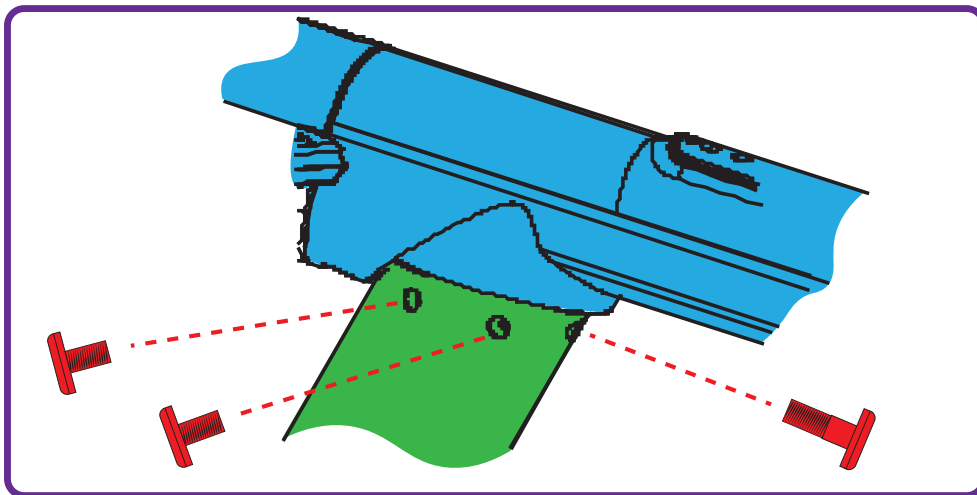
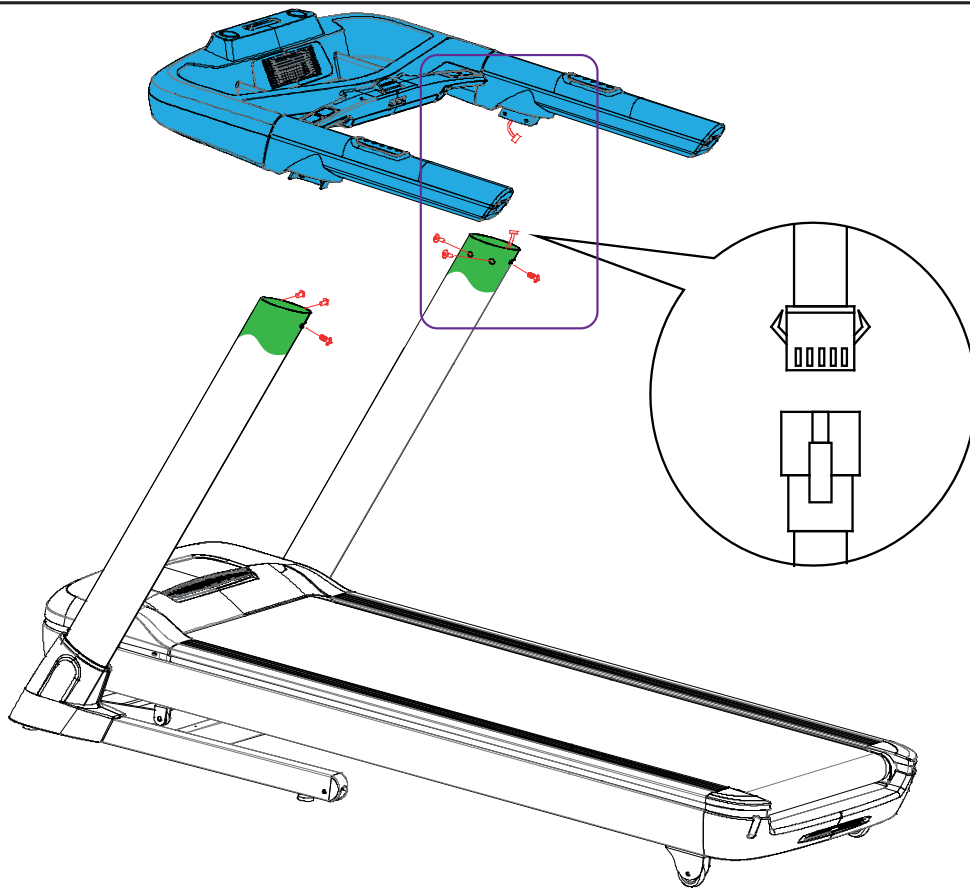
D-1



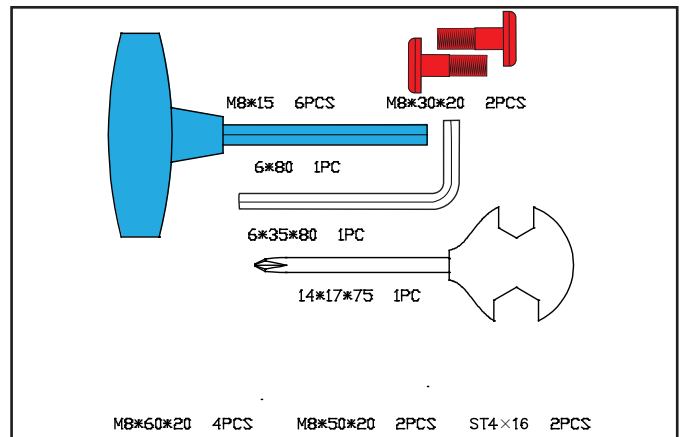
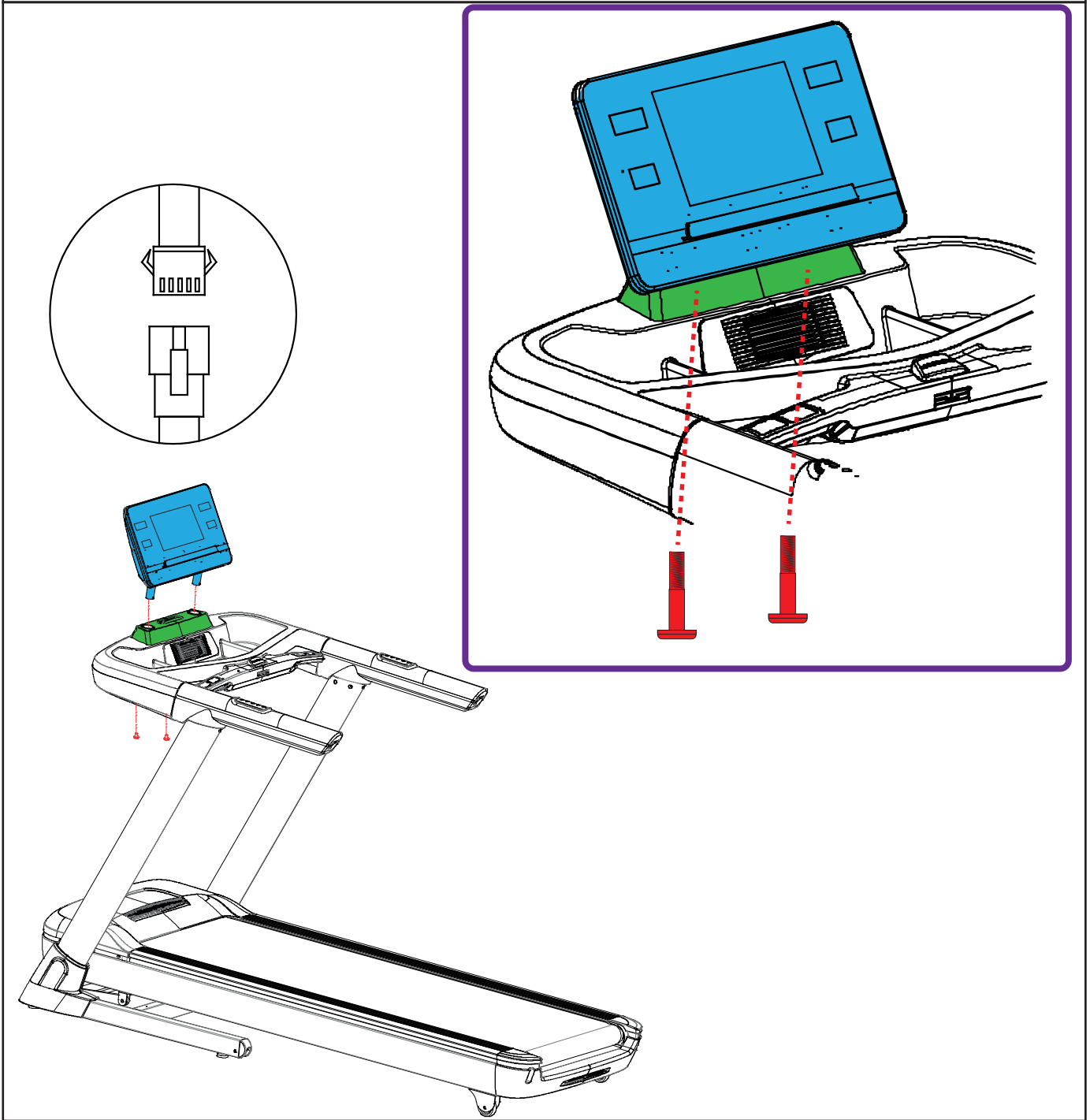
D-2



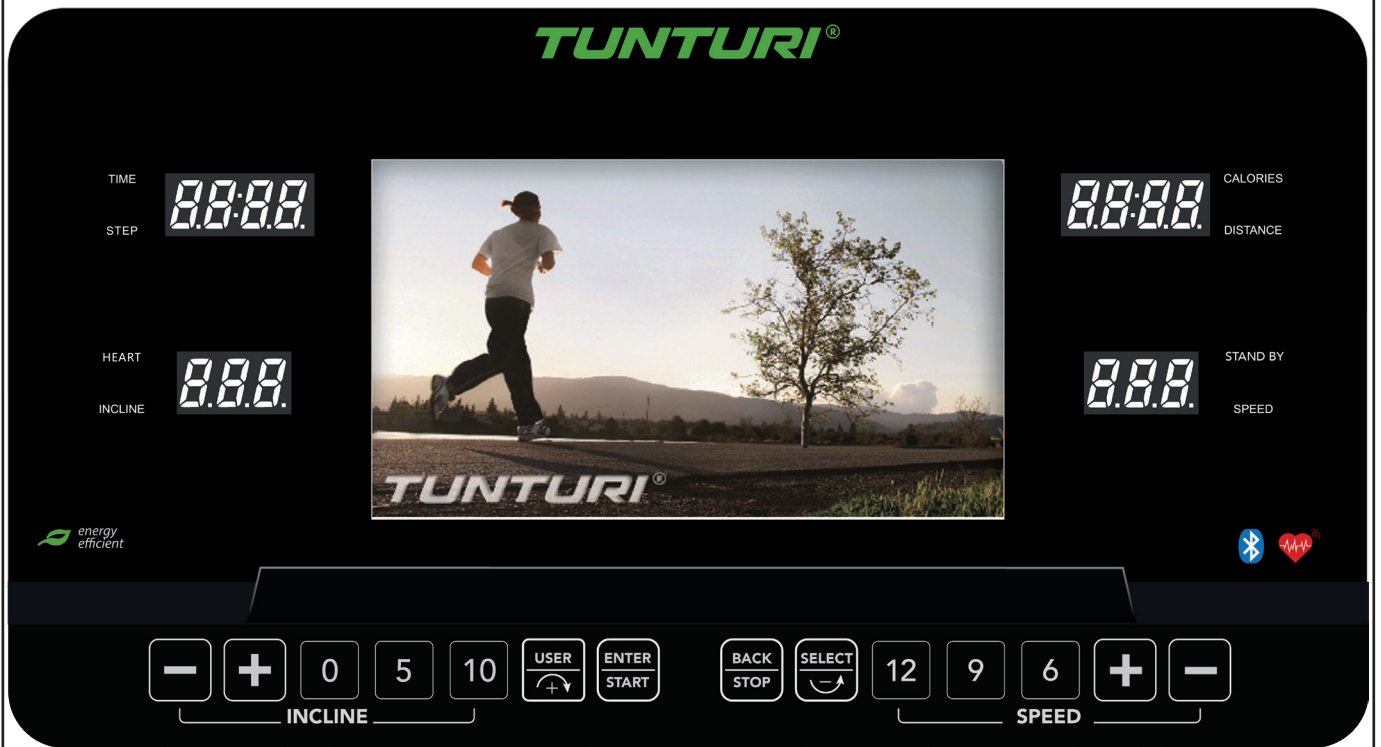
D-3



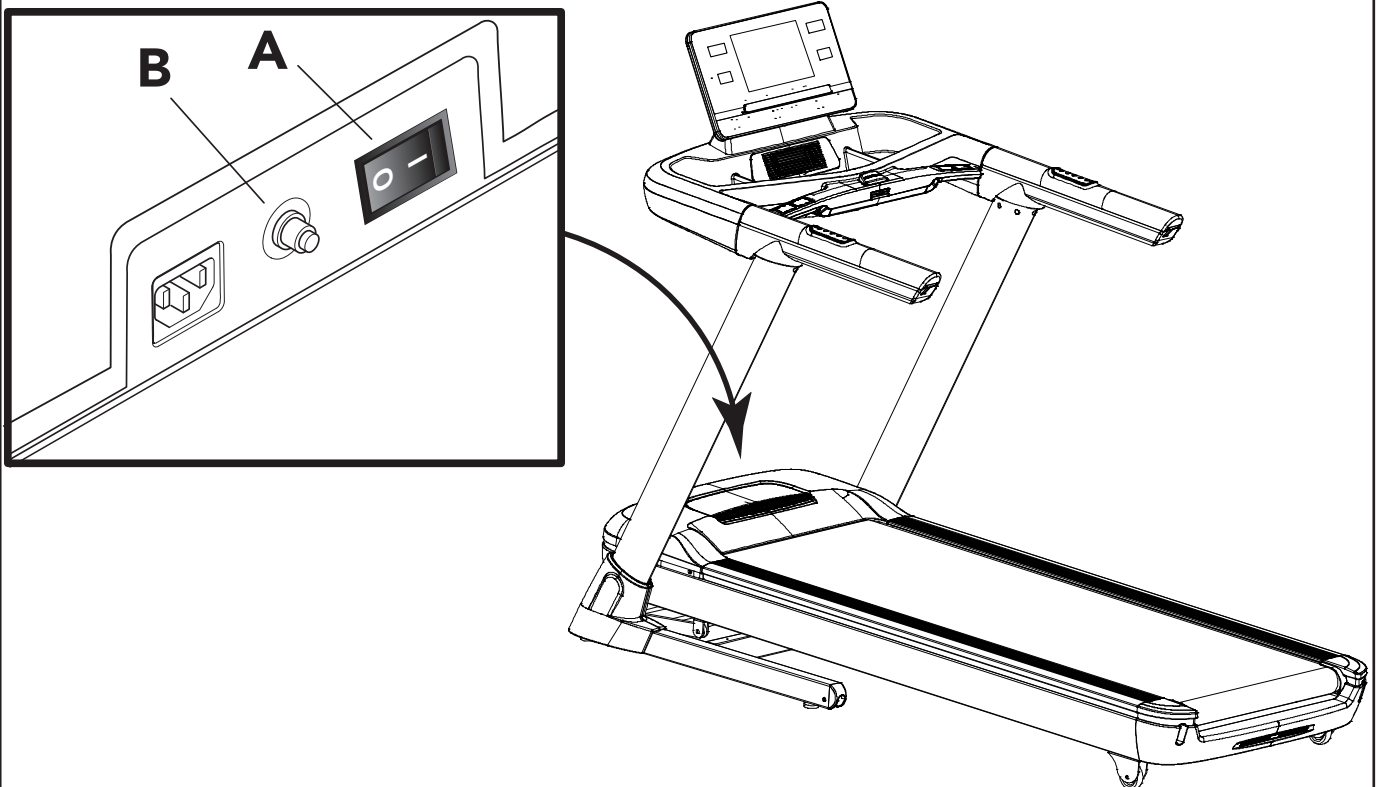
D-4



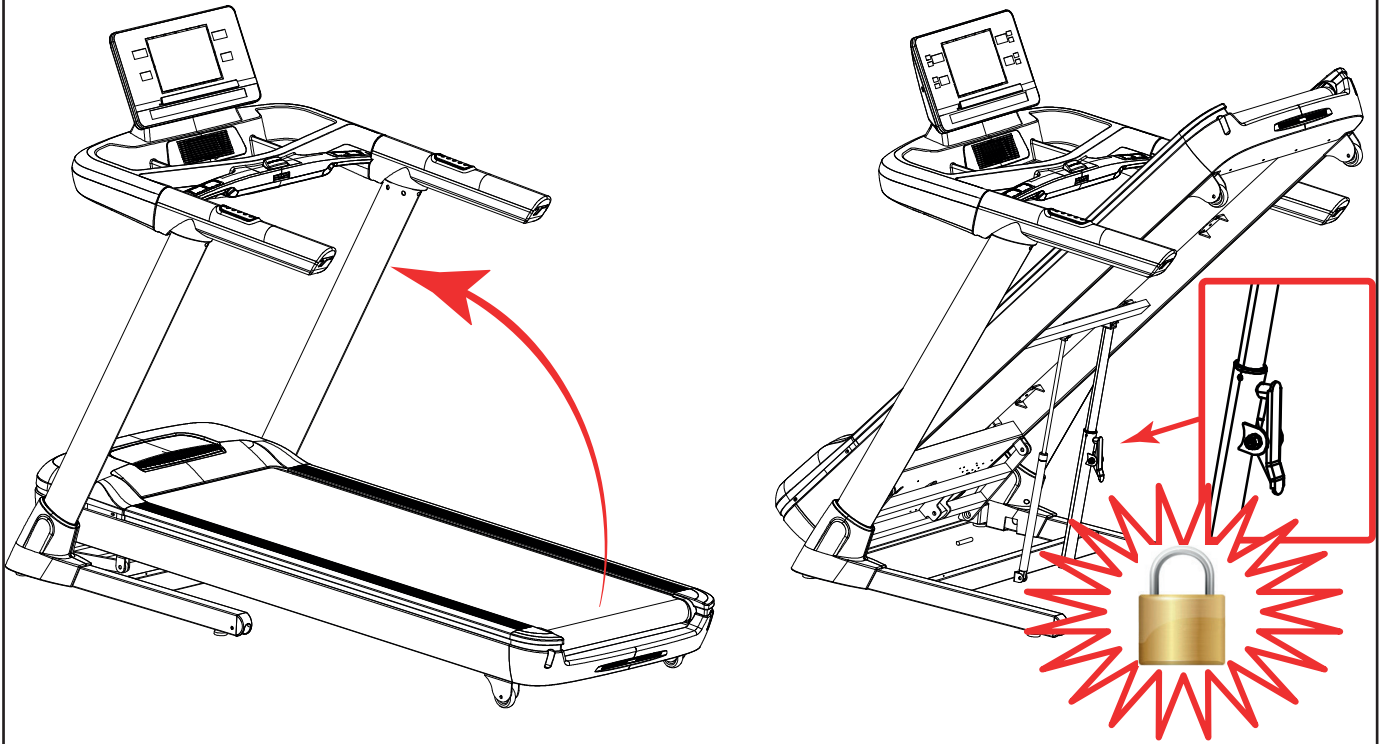
E-1



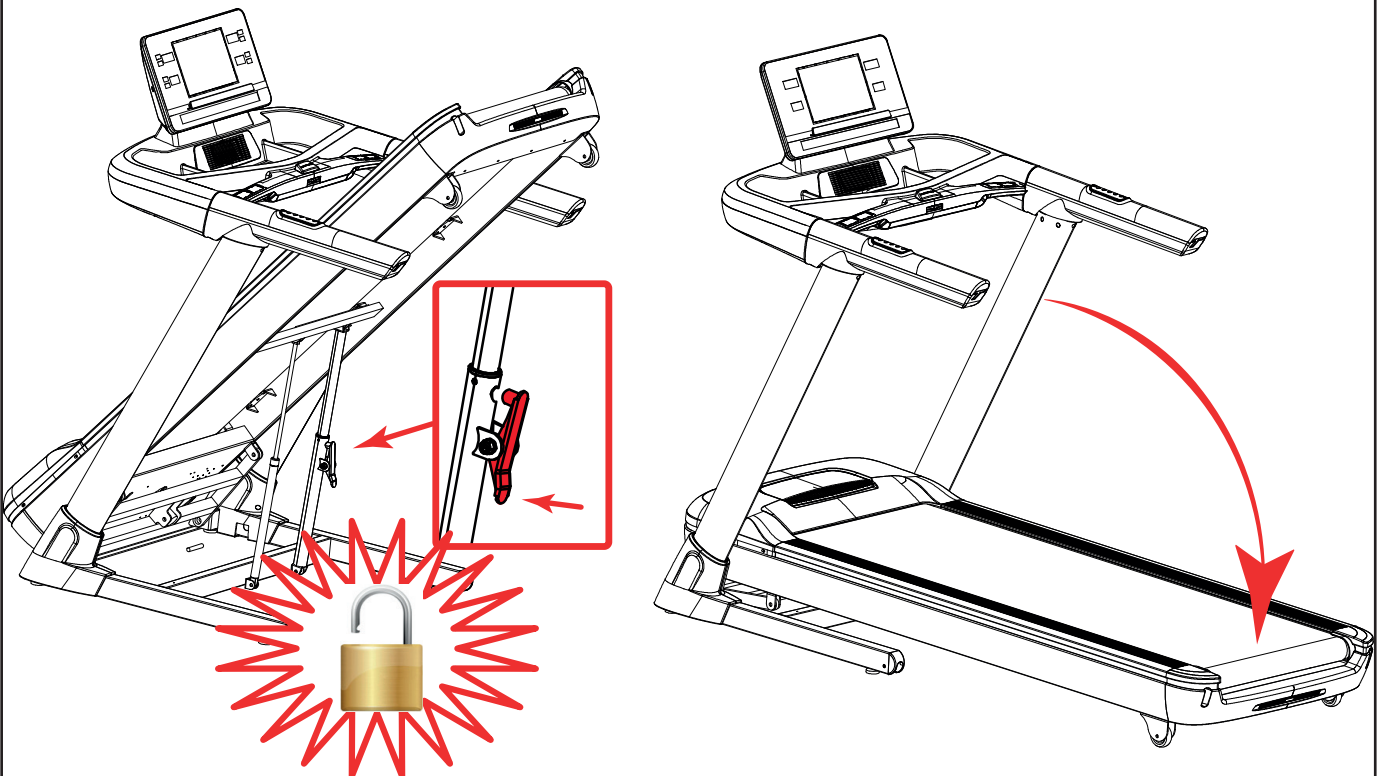
E-2

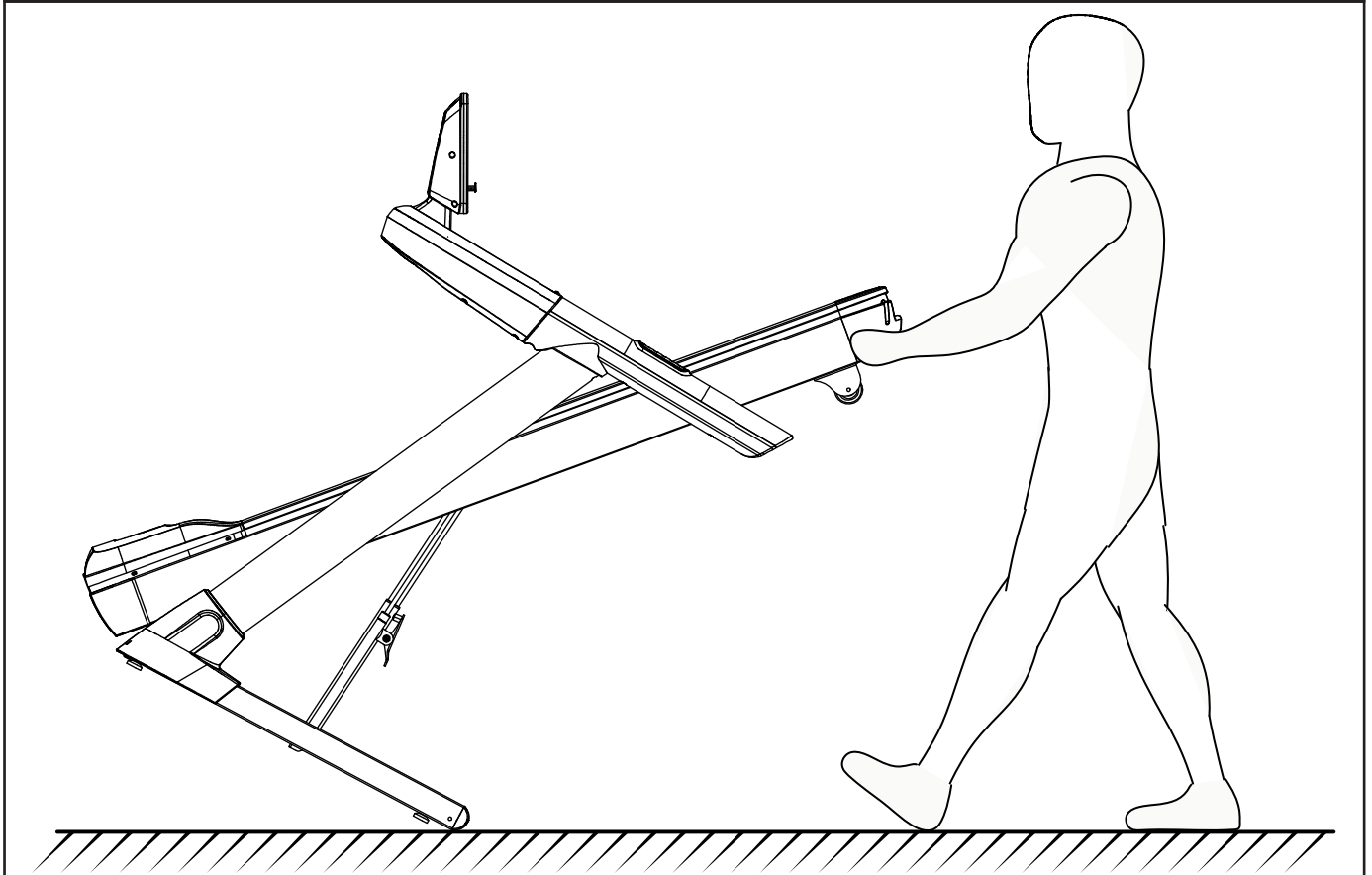
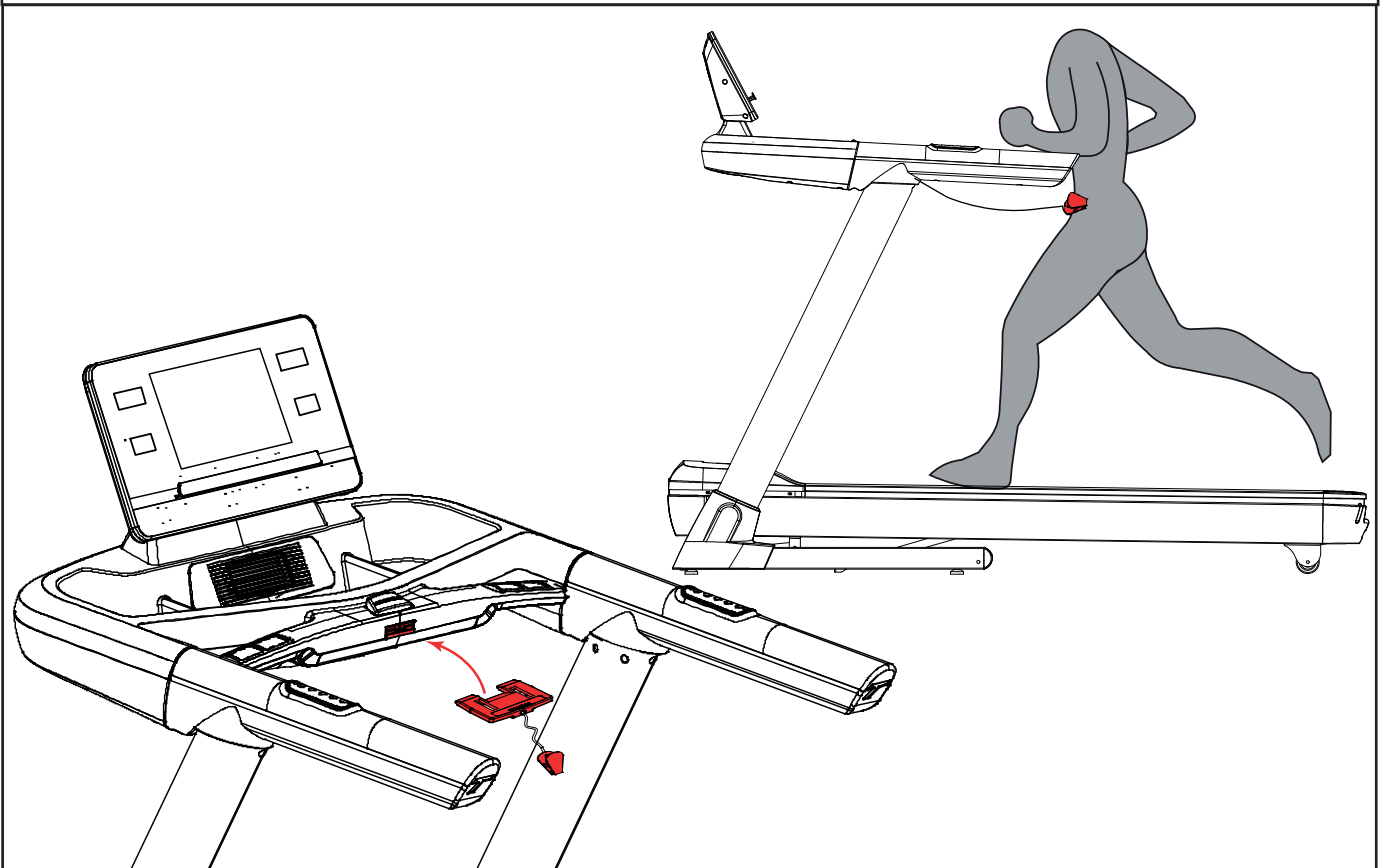


F-1

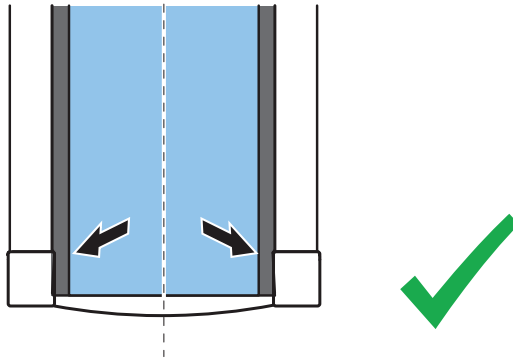
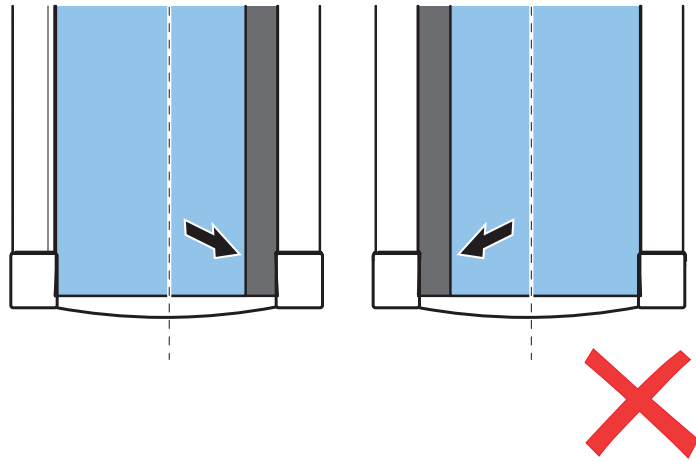


F-2

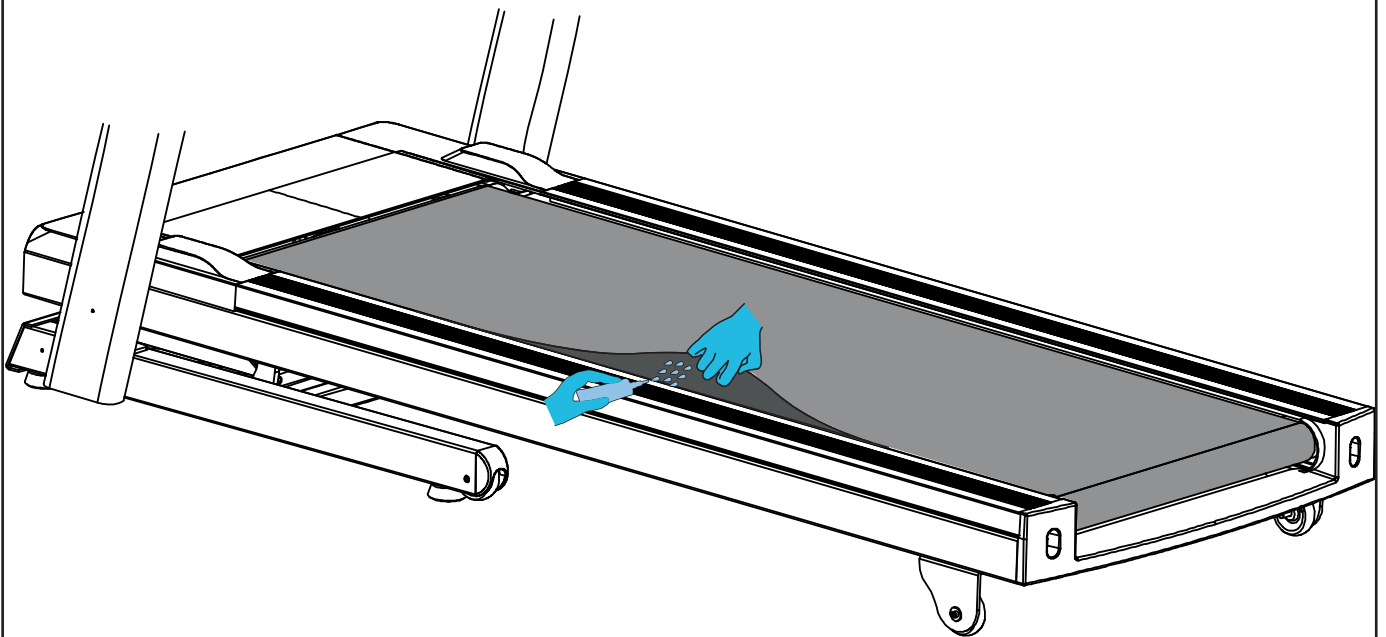


F-3**F-4**

F-5



F-6



G

P1 Rolling Hill

	1	2	3	4	5	6	7	8	9	10	11	12	13	14	15	16	17	18	19	20
Km/h	2.0	2.0	2.0	2.0	3.0	4.0	3.0	2.0	3.0	4.0	3.0	2.0	3.0	3.0	2.0	2.0	3.0	3.0	2.0	2.0
Mp/H	1.2	1.2	1.2	1.2	1.8	2.5	1.8	1.2	1.8	2.5	1.8	1.2	1.8	1.8	1.2	1.2	1.8	1.8	1.2	1.2
%	0.0	0.0	0.0	0.0	0.0	0.0	0.0	0.0	0.0	0.0	0.0	0.0	0.0	0.0	0.0	0.0	0.0	0.0	0.0	0.0

P2 Hill Climb

	1	2	3	4	5	6	7	8	9	10	11	12	13	14	15	16	17	18	19	20
Km/h	2.0	2.0	3.0	3.0	4.0	5.0	8.0	7.0	7.0	6.0	5.0	4.0	3.0	3.0	2.0	2.0	3.0	3.0	2.0	2.0
Mp/H	1.2	1.2	1.8	1.8	2.5	3.1	5.0	4.3	4.3	3.7	5.0	2.5	1.8	1.8	1.2	1.2	1.8	1.8	1.2	1.2
%	0.0	0.0	0.0	0.0	0.0	0.0	0.0	0.0	0.0	0.0	0.0	0.0	0.0	0.0	0.0	0.0	0.0	0.0	0.0	0.0

P3 Cross Country

	1	2	3	4	5	6	7	8	9	10	11	12	13	14	15	16	17	18	19	20
Km/h	2.0	2.0	4.0	4.0	6.0	8.0	8.0	7.0	7.0	6.0	5.0	4.0	3.0	3.0	2.0	2.0	3.0	3.0	2.0	2.0
Mp/H	1.2	1.2	2.5	2.5	3.7	5.0	5.0	4.3	4.3	3.7	3.1	2.5	1.8	1.8	1.2	1.2	1.8	1.8	1.2	1.2
%	0.0	0.0	0.0	0.0	0.0	0.0	0.0	0.0	0.0	0.0	0.0	0.0	0.0	0.0	0.0	0.0	0.0	0.0	0.0	0.0

P4 Stamina

	1	2	3	4	5	6	7	8	9	10	11	12	13	14	15	16	17	18	19	20
KM/H	1.0	1.0	3.0	3.0	6.0	7.0	7.0	8.0	8.0	7.0	7.0	6.0	3.0	3.0	1.0	1.0	3.0	3.0	1.0	1.0
Mp/H	0.6	0.6	1.8	1.8	3.7	4.3	4.3	5.0	5.0	4.3	4.3	3.7	3.7	1.8	0.6	0.6	1.8	1.8	0.6	0.6
%	0.0	0.0	0.0	0.0	0.0	0.0	0.0	0.0	0.0	0.0	0.0	0.0	0.0	0.0	0.0	0.0	0.0	0.0	0.0	0.0

P5 Power Interval

	1	2	3	4	5	6	7	8	9	10	11	12	13	14	15	16	17	18	19	20
Km/h	1.0	1.0	7.0	7.0	2.0	9.0	9.0	2.0	2.0	9.0	9.0	2.0	7.0	7.0	1.0	1.0	7.0	7.0	1.0	1.0
Mp/H	0.6	0.6	4.3	4.3	1.2	1.2	5.6	1.2	1.2	5.6	5.6	1.2	4.3	4.3	0.6	0.6	4.3	4.3	0.6	0.6
%	0.0	0.0	0.0	0.0	0.0	0.0	0.0	0.0	0.0	0.0	0.0	0.0	0.0	0.0	0.0	0.0	0.0	0.0	0.0	0.0

P6 Fatburner 1

	1	2	3	4	5	6	7	8	9	10	11	12	13	14	15	16	17	18	19	20
Km/h	0.5	0.5	0.5	0.5	0.5	0.5	0.5	0.5	0.5	0.5	0.5	0.5	0.5	0.5	0.5	0.5	0.5	0.5	0.5	0.5
Mp/H	0.3	0.3	0.3	0.3	0.3	0.3	0.3	0.3	0.3	0.3	0.3	0.3	0.3	0.3	0.3	0.3	0.3	0.3	0.3	0.3
%	2.0	2.0	2.0	2.0	3.0	4.0	3.0	2.0	3.0	4.0	3.0	2.0	3.0	3.0	2.0	2.0	3.0	3.0	2.0	2.0

P7 Fatburner 2

	1	2	3	4	5	6	7	8	9	10	11	12	13	14	15	16	17	18	19	20
Km/h	0.5	0.5	0.5	0.5	0.5	0.5	0.5	0.5	0.5	0.5	0.5	0.5	0.5	0.5	0.5	0.5	0.5	0.5	0.5	0.5
Mp/H	0.3	0.3	0.3	0.3	0.3	0.3	0.3	0.3	0.3	0.3	0.3	0.3	0.3	0.3	0.3	0.3	0.3	0.3	0.3	0.3
%	2.0	2.0	3.0	3.0	4.0	5.0	6.0	7.0	7.0	8.0	8.0	6.0	4.0	4.0	2.0	2.0	4.0	4.0	2.0	2.0

P8 Cardio Strength

	1	2	3	4	5	6	7	8	9	10	11	12	13	14	15	16	17	18	19	20
Km/h	0.5	0.5	0.5	0.5	0.5	0.5	0.5	0.5	0.5	0.5	0.5	0.5	0.5	0.5	0.5	0.5	0.5	0.5	0.5	0.5
Mp/H	0.3	0.3	0.3	0.3	0.3	0.3	0.3	0.3	0.3	0.3	0.3	0.3	0.3	0.3	0.3	0.3	0.3	0.3	0.3	0.3
%	2.0	2.0	4.0	4.0	6.0	8.0	8.0	7.0	7.0	6.0	5.0	4.0	3.0	3.0	2.0	2.0	3.0	3.0	2.0	2.0

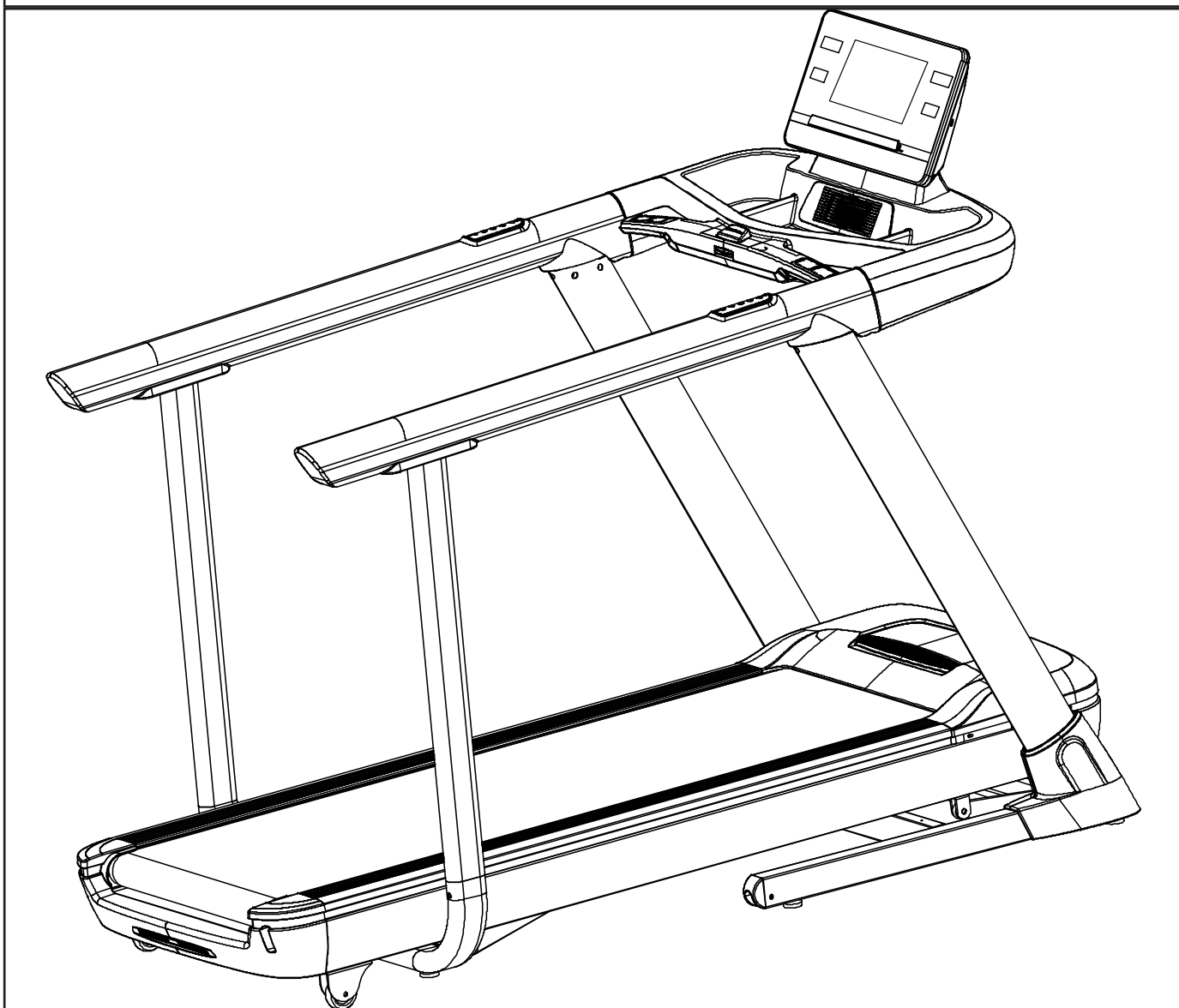
P9 Cardio Climb

	1	2	3	4	5	6	7	8	9	10	11	12	13	14	15	16	17	18	19	20
Km/h	0.5	0.5	0.5	0.5	0.5	0.5	0.5	0.5	0.5	0.5	0.5	0.5	0.5	0.5	0.5	0.5	0.5	0.5	0.5	0.5
Mp/H	0.3	0.3	0.3	0.3	0.3	0.3	0.3	0.3	0.3	0.3	0.3	0.3	0.3	0.3	0.3	0.3	0.3	0.3	0.3	0.3
%	1.0	1.0	3.0	3.0	6.0	7.0	7.0	8.0	8.0	7.0	7.0	6.0	3.0	3.0	1.0	1.0	3.0	3.0	1.0	1.0


P10 Hill Interval


	1	2	3	4	5	6	7	8	9	10	11	12	13	14	15	16	17	18	19	20
Km/h	0.5	0.5	0.5	0.5	0.5	0.5	0.5	0.5	0.5	0.5	0.5	0.5	0.5	0.5	0.5	0.5	0.5	0.5	0.5	0.5
Mp/H	0.3	0.3	0.3	0.3	0.3	0.3	0.3	0.3	0.3	0.3	0.3	0.3	0.3	0.3	0.3	0.3	0.3	0.3	0.3	0.3
%	1.0	1.0	7.0	7.0	2.0	9.0	9.0	2.0	2.0	9.0	9.0	2.0	7.0	7.0	1.0	1.0	7.0	7.0	1.0	1.0

H



J

		MEN / OXYGEN UPTAKE VO2MAX					
		1= VERY POOR 7= EXCELLENT					
AGE	1	2	3	4	5	6	7
18-19	<33	33-38	39-44	45-51	52-57	58-63	>63
20-24	<32	32-37	38-43	44-50	51-56	57-62	>62
25-29	<31	31-35	36-42	43-48	49-53	54-59	>59
30-34	<29	29-34	35-40	41-45	46-51	52-56	>56
35-39	<28	28-32	33-38	39-43	44-48	49-54	>54
40-44	<26	26-31	32-35	36-41	42-46	47-51	>51
45-49	<25	25-29	30-34	35-39	40-43	44-48	>48
50-54	<24	24-27	28-32	33-36	37-41	42-46	>46
55-59	<22	22-26	27-30	31-34	35-39	40-43	>43
60-65	<21	21-24	25-28	29-32	33-36	37-40	>40

		WOMEN / OXYGEN UPTAKE VO2MAX					
		1= VERY POOR 7= EXCELLENT					
AGE	1	2	3	4	5	6	7
18-19	<28	28-32	33-37	38-42	43-47	48-52	>52
20-24	<27	27-31	32-36	37-41	42-46	47-51	>51
25-29	<26	26-30	31-35	36-40	41-44	45-49	>49
30-34	<25	25-29	30-33	34-37	38-42	43-46	>46
35-39	<24	24-27	28-31	32-35	36-40	41-44	>44
40-44	<22	22-25	26-29	30-33	34-37	38-41	>41
45-49	<21	21-23	24-27	28-31	32-35	36-38	>38
50-54	<19	19-22	23-25	26-29	30-32	33-36	>36
55-59	<18	18-20	21-23	24-27	28-30	31-33	>33
60-65	<16	16-18	19-21	22-24	25-27	28-30	>30

K

K-1



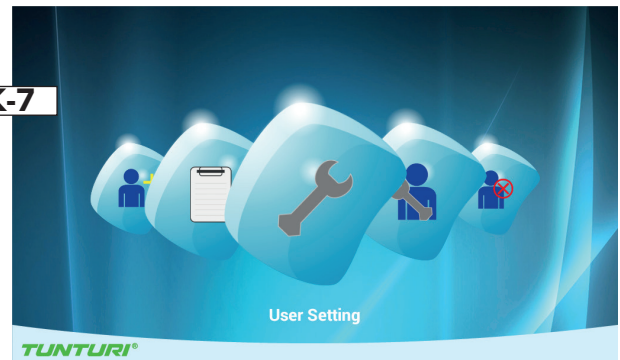
K-6



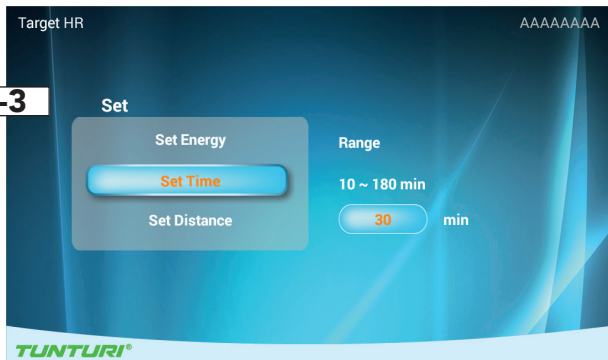
K-2



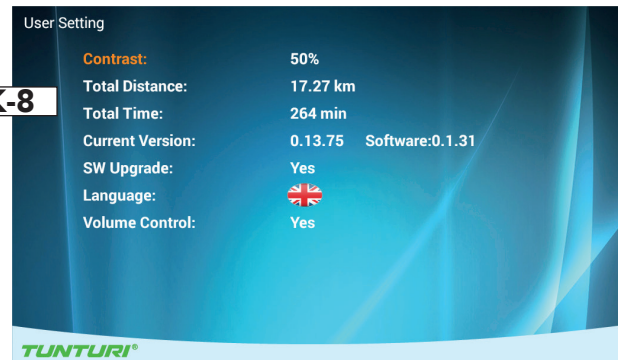
K-7



K-3



K-8



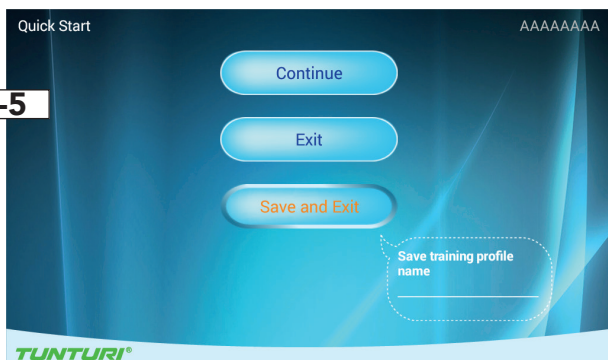
K-4



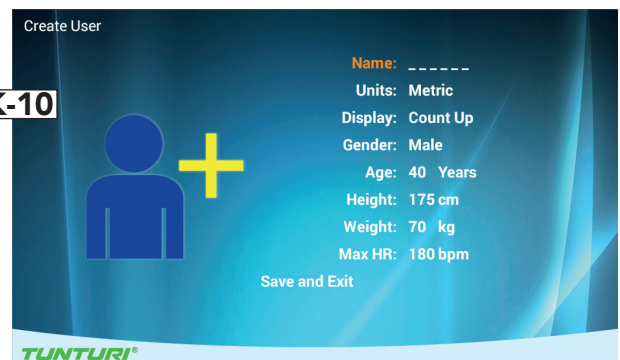
K-9



K-5



K-10



Index

Treadmill	17
Safety warnings	17
Electrical safety	17
Assembly instructions	18
Description (fig. A)	18
Package contents (fig. B&C).....	18
Assembly (fig. D)	18
Accessories (fig. H).....	18
Workouts	18
Exercise Instructions.....	18
Heart rate	19
Use	19
Master power switch (fig. E-2A)	19
Console (fig. E-1)	20
Buttons	20
Explanation of display items (Fig. H).....	21
USB function.....	21
Programs menu	21
Quick start (Fig. F-1).....	21
Pause/ end your workout (Fig. K-5).....	21
Target heart rate.....	21
Manual	22
Preset Programs (fig. K-2).....	22
Own Trainings	22
Fitness test	23
T-Road	23
Bluetooth mode	23
User	23
User Log	23
User Setting.....	23
User Setting.....	23
Delete User	24
Change User.....	24
Create User	24
Warranty	24
Cleaning and maintenance	25
Lubrication (fig. F-4)	25
Troubleshooting	26
Error codes.....	26
Transport and storage	26
Additional information	26
Technical data	26
Declaration of the manufacturer	26
Disclaimer	26

Treadmill

Welcome to the world of Tunturi!

Thank you for purchasing this piece of Tunturi equipment. Tunturi offers a wide range of home fitness equipment, including crosstrainers, treadmills, exercise bikes and rowers. The Tunturi equipment is suitable for the entire family, no matter what fitness level. For more information, please visit our website www.tunturi.com

Important Safety Instructions

This Owner's Manual is an essential part of your training equipment: reading all instructions in this manual before you start using this appliance. The following precautions must always be followed:

Safety warnings

⚠ WARNING

- Read the safety warnings and the instructions. Failure to follow the safety warnings and the instructions can cause personal injury or damage to the equipment. Keep the safety warnings and the instructions for future reference.

⚠ WARNING

- Heart rate monitoring systems may be inaccurate. Over exercise may result in serious injury or death. If you feel faint stop exercising immediately.

- The equipment is suitable for domestic and professional use only (e.g. hospitals, fire stations, hotels, schools etc.). Max. usage is limited to 6 hrs a day. The equipment is not suitable for full commercial use (e.g. large gyms).
- The use of this equipment by children or persons with a physical, sensory, mental or motorial disability, or lack of experience and knowledge can give cause to hazards. Persons responsible for their safety must give explicit instructions or supervise the use of the equipment.
- Before starting your workout, consult a physician to check your health.
- If you experience nausea, dizziness or other abnormal symptoms, immediately stop your workout and consult a physician.
- To avoid muscular pain and strain, start each workout by warming up and finish each workout by cooling down. Remember to stretch at the end of the workout.
- The equipment is suitable for indoor use only. The equipment is not suitable for outdoor use.
- Only use the equipment in environments with adequate ventilation. Do not use the equipment in draughty environments in order not to catch a cold.
- Only use the equipment in environments with ambient temperatures between 10 °C~35 °C. Only store the equipment in environments with ambient temperatures between 5 °C~45 °C.
- Do not use or store the equipment in humid surroundings. The air humidity must never be more than 80%.
- Only use the equipment for its intended purpose. Do not use the equipment for other purposes than described in the manual.
- Do not use the equipment if any part is damaged or defective. If a part is damaged or defective, contact your dealer.
- Keep your hands, feet and other body parts away from the moving parts.
- Keep your hair away from the moving parts.
- Wear appropriate clothing and shoes.
- Keep clothing, jewellery and other objects away from the moving parts.
- Make sure that only one person uses the equipment at a time. The equipment must not be used by persons weighing more than 150 kg (330 lbs).
- Do not open equipment without consulting your dealer.

Electrical safety

(Only for equipment with electric power)

- Before use, always check that the mains voltage is the same as the voltage on the rating plate of the equipment.
- Do not use an extension cable.
- Keep the mains cable away from heat, oil and sharp edges.
- Do not alter or modify the mains cable or the mains plug.
- Do not use the equipment if the mains cable or the mains plug is damaged or defective. If the mains cable or the mains plug is damaged or defective, contact your dealer.
- Always fully unwind the mains cable.
- Do not run the mains cable underneath the equipment. Do not run the mains cable underneath a carpet. Do not place any objects on the mains cable.
- Make sure that the mains cable does not hang over the edge of a table.

- Make sure that the mains cable cannot be caught accidentally or tripped over.
- Do not leave the equipment unattended when the mains plug is inserted into the wall socket.
- Do not pull the mains cable to remove the mains plug from the wall socket.
- Remove the mains plug from the wall socket when the equipment is not in use, before assembly or disassembly and before cleaning and maintenance.

⚠ CAUTION

- If voltage varies by ten percent (10%) or more, the performance of your treadmill may be affected. Such conditions are not covered under your warranty. If you suspect the voltage is low, contact your local power company or a licensed electrician for proper testing.

⚠ CAUTION

- NEVER use a RCD - Residual Current Device (U.S. ver.= GFCI) - wall outlet with this treadmill. As with any appliance with a large motor, the RCD/GFCI will trip often. Route the power mains cord away from any moving part of the treadmill including the elevation mechanism and transport wheels.

Grounding Instructions

This product must be grounded. If the treadmill's electrical system should malfunction or breakdown grounding provides a path of least resistance for electric current, reducing the risk of electric shock. This product is equipped with a cord having an equipment-grounding plug. The plug must be plugged into an appropriate outlet that is properly installed and grounded in accordance with all local codes and ordinances.

⚠ WARNING

- Improper connection of the equipment-grounding conductor can result in a risk of electric shock. Check with a qualified electrician or serviceman if you are in doubt as to whether the product is properly grounded. Do not modify the plug provided with the product if it will not fit the outlet; have a proper outlet installed by a qualified electrician.

Assembly instructions

Description (fig. A)

Your treadmill is a piece of stationary fitness equipment used to simulate walking or running without causing excessive pressure to the joints.

Package contents (fig. B&C)

- The package contains the parts as shown in fig. B.
- The package contains the fasteners as shown in fig. C. Refer to the section "Description"

🔧 NOTE

- If a part is missing, contact your dealer.

Assembly (fig. D)

⚠ WARNING

- Assemble the equipment in the given order.
- Carry and move the equipment with at least two persons.

⚠ CAUTION

- Place the equipment on a firm, level surface.
- Place the equipment on a protective base to prevent damage to the floor surface.
- Allow at least 100 cm of clearance around the equipment.

- Refer to the illustrations for the correct assembly of the equipment.

Accessories (fig. H)

🔧 NOTE

- The shown illustration shows how the trainer will look with the suitable extended handrails.
- The additional extended handrails can be purchased as an accessory.
- Article nr: 19TRNRH000

Contact your dealer for further information.

Workouts

The workout must be suitably light, but of long duration. Aerobic exercise is based on improving the body's maximum oxygen uptake, which in turn improves endurance and fitness. You should perspire, but you should not get out of breath during the workout.

To reach and maintain a basic fitness level, exercise at least three times a week, 30 minutes at a time. Increase the number of exercise sessions to improve your fitness level. It is worthwhile to combine regular exercise with a healthy diet. A person committed to dieting should exercise daily, at first 30 minutes or less at a time, gradually increasing the daily workout time to one hour. Start your workout at low speed and low resistance to prevent the cardiovascular system from being subjected to excessive strain.

As the fitness level improves, speed and resistance can be increased gradually. The efficiency of your exercise can be measured by monitoring your heart rate and your pulse rate.

Exercise Instructions

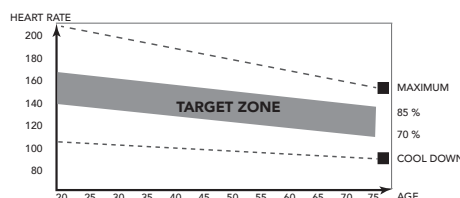
Using your fitness trainer will provide you with several benefits, it will improve your physical fitness, tone muscle and in conjunction with a calorie controlled diet help you lose weight.

The warming up phase

This stage helps get the blood flowing around the body and the muscles working properly. It will also reduce the risk of cramp and muscle injury. It is advisable to do a few stretching exercises as shown below. Each stretch should be held for approximately 30 seconds, do not force or jerk your muscles into a stretch - if it hurts, STOP

The exercise phase

This is the stage where you put the effort in. After regular use, the muscles in your legs will become more flexible. Work to your but it is very important to maintain a steady tempo throughout. The rate of work should be sufficient to raise your heart beat into the target zone shown on the graph below.



This stage should last for a minimum of 12 minutes though most people start at about 15-20 minutes

The cool down phase

This stage is to let your Cardiovascular System and muscles wind down. This is a repeat of the warm up exercise e.g. reduce your tempo, continue for approximately 5 minutes. The stretching exercises should now be repeated, again remembering not to force or jerk your muscles into the stretch.

As you get fitter you may need to train longer and harder. It is advisable to train at least three times a week, and if possible space your workouts evenly throughout the week.

Muscle toning

To tone muscle while on your fitness trainer you will need to have the resistance set quite high. This will put more strain on our leg muscles and may mean you cannot train for as long as you would like. If you are also trying to improve your fitness you need to alter your training program. You should train as normal during the warm up and cool down phases, but towards the end of the exercise phase you should increase resistance making your legs work harder. You will have to reduce your speed to keep your heart rate in the target zone.

Weight loss

The important factor here is the amount of effort you put in. The harder and longer you work the more calories you will burn. Effectively this is the same as if you were training to improve your fitness, the difference is the goal.

Heart rate

Pulse rate measurement (hand pulse sensors)

The pulse rate is measured by sensors in the handlebars when the user is touching both sensors at the same time. Accurate pulse measurement requires that the skin is slightly moist and constantly touching the hand pulse sensors. If the skin is too dry or too moist, the pulse rate measurement will become less accurate.

NOTE

- Do not use the hand pulse sensors in combination with a heart rate chest belt.
- If you set a heart rate limit for your workout, an alarm will sound when it is exceeded.

Heart rate measurement (heart rate chest belt)

NOTE

- A chest strap does not come standard with this trainer. When you like to use a wireless chest strap you need to purchase this as an accessory.

The most accurate heart rate measurement is achieved with a heart rate chest belt. The heart rate is measured by a heart rate receiver in combination with a heart rate transmitter belt. Accurate heart measurement requires that the electrodes on the transmitter belt are slight moist and constantly touching the skin. If the electrodes are too dry or too moist, the heart rate measurement will become less accurate.

WARNING

- If you have a pacemaker, consult a physician before using a heartrate chest belt.

CAUTION

- If there are several heart rate measurement devices next to each other, make sure that the distance between them is at least 1.5 metres.
- If there is only one heart rate receiver and several heart rate transmitters, make sure that only one person with a transmitter is within transmission range.

NOTE

- Do not use a heart rate chest belt in combination with the handpulse sensors.
- Always wear the heart rate chest belt under your clothes directly in contact with your skin. Do not wear the heart rate chest belt above your clothes. If you wear the heart rate chest belt above your clothes, there will be no signal.
- If you set a heart rate limit for your workout, an alarm will sound when it is exceeded.

- The transmitter transmits the heart rate to the console up to a distance of 1 metre. If the electrodes are not moist, the heart rate will not appear on the display.
- Some fibers in clothes (e.g. polyester, polyamide) create static electricity which can prevent accurate heart rate measurement.
- Mobile phones, televisions and other electrical appliances create an electromagnetic field which can prevent accurate heart rate measurement.

Maximum heart rate (during training)

The maximum heart rate is the highest heart rate a person can safely achieve through exercise stress. The following formula is used to calculate the average maximum heart rate: $220 - AGE$. The maximum heart rate varies from person to person.

WARNING

- Make sure that you do not exceed your maximum heart rate during your workout. If you belong to a risk group, consult a physician.

Beginner

50-60% of maximum heart rate

Suitable for beginners, weight-watchers, convalescents and persons who have not exercised for a long time. Exercise at least three times a week, 30 minutes at a time.

Advanced

60-70% of maximum heart rate

Suitable for persons who want to improve and maintain fitness. Exercise at least three times a week, 30 minutes at a time.

Expert

70-80% of maximum heart rate

Suitable for the fittest of persons who are used to long-endurance workouts.

Use

Master power switch (fig. E-2A)

The equipment is equipped with a master power switch to turn on or turn off the equipment completely.

Start the equipment:

- Insert the mains plug into the equipment.
- Insert the mains plug into the wall socket.
- Set the master power switch to the on (1) position.

The console application will start loading in the following order:

Stage 1: "Tunturi" logo is display for a few seconds.

Stage 2: "Loading..." is blinking in display.

Stage 3: 3 Acoustic beeps will be heard.

The main menu will open in where "Quick start" is selected as default. Trainer is now ready for use.

Stop the equipment:

- Set the mains power switch to the off (0) position.
- Remove the mains plug from the wall socket.
- Remove the mains plug from the equipment.

NOTE

- Avoid switching off the equipment when there is a data saving activity, to avoid data to be lost.

Safety key (Fig F-4)

The equipment is equipped with a safety key that must be properly inserted into the console to start the equipment. If you remove the safety key from the console, the equipment will stop immediately.

- Insert the safety key into the slot in the console.
- Make sure that the clip of the safety key is properly attached to your clothing.
- Make sure that the clip is not removed from your clothing before the safety key is removed from the console.

NOTE

- Console will show "please return safety key" code when safety key is not in (correct) position during start up.

Circuit breaker (Fig. E-2B)

The equipment is equipped with a circuit breaker that interrupts the circuit when the electricity load is above the maximum capacity. When this occurs, the circuit breaker must be pressed.

WARNING

- Before pressing the circuit breaker, remove the mains plug from the equipment.

If the equipment shuts down, proceed as follows to restart the equipment:

- Remove the mains plug from the equipment.
- Press the circuit breaker to restart the equipment.
- Insert the mains plug into the equipment.

NOTE

- Some circuit breakers used in homes are not rated for high inrush currents that can occur when a treadmill is first turned on or even during normal use. If your treadmill is tripping the circuit breaker (even though it is the proper current rating and the treadmill is the only appliance on the circuit) but the circuit breaker on the treadmill itself does not trip, you will need to replace the breaker with a high inrush type. This is not a warranty defect. This is a condition we as a manufacture have no ability to control.

Unfolding and folding the equipment (fig. F1-F2)

The equipment can be unfolded for use (fig. F1) and folded for transport and storage (fig. F2).

Refer to the illustrations for the correct way of unfolding and folding the equipment.

CAUTION

- Before folding the equipment, make sure that the incline is 0. If the incline is not 0, folding will damage the mechanism.

Adjusting the support feet

The equipment is equipped with 4 support feet. If the equipment is not stable, the support feet can be adjusted.

- Turn the support feet as required to put the equipment in a stable position.
- Tighten the locknuts to lock the support feet.

NOTE

- The machine is the most stable when all support feet are turned fully in. Therefore start to level the machine by turning all support feet fully in, before turning out the required support feet to stable the machine.

Console (fig. E-1)**CAUTION**

- Keep the console away from direct sunlight.
- Dry the surface of the console when it is covered with drops of sweat.
- Do not lean on the console.
- Only touch the display with the tip of your finger. Make sure that your nails or sharp objects do not touch the display.

NOTE

- The console switches to standby mode when the equipment is not used for 4 minutes.

Buttons**Enter/ Start**

- Sport mode confirmation
- Option confirmation under User/Setting mode
- Confirmation of working item on setting screen
- Setting value confirmation.
- Main screen switching between bpm / incline Profile
- Main screen switching between Video / Profile during T-Road

Back/ Stop

- Move back to previous window
- Stop the active training

User/ + (scale up)

- Open User's setting.
- Scale up intensity in workout mode.
Press once to increase 1%
Press and hold to increase the intensity faster.

NOTE

- It is not possible to deform the profile, so the highest pre programmed intensity is the scaling limit.

Select/ - (scale down)

- Switch LED display monitor.
- Scale down intensity in workout mode.
Press once to decrease 1%
Press and hold to decrease the intensity faster.

NOTE

- It is not possible to deform the profile, so the lowest pre programmed intensity is the scaling limit.

Speed +

- Increases the speed (0.5 ~ 16.0 km/h).
- Pressing once increases the speed 0.1 km/h.
- Pressing and holding for two seconds will increase the speed faster.
- Scroll programs and change values in programming mode.

Speed -

- Decreases the speed (0.5 ~ 16.0 km/h).
- Pressing once decreases the speed 0.1 km/h.
- Pressing and holding for two seconds will decrease the speed faster.
- Scroll programs and change values in programming mode.

Speed control hot keys:

Speed Hot Keys are set as : 6, 9, 12. (Metric 3.7/ 5.6/ 7.5)

For example, the speed changes from any speed to 9 km/h by pressing the Speed Hot Key 9.

Handle bar speed quick-access keys:

- + Same as Speed +.
- - Same as Speed -.

Incline control +

- Increases the incline (0 ~ 15 +1).
- Scroll programs and change values in programming mode.

Incline control -

- Decreases the incline (0 ~ 15 -1)
- Scroll programs and change values in programming mode.

Incline control hot keys.

Incline Hot Keys are set as 0, 5, 10.

For example, the incline level changes from any level to 5 by pressing the Incline Hot Key 5.

Handle bar incline quick-access keys:

- + : Same as Incline +.
- - : Same as Incline -.

Explanation of display items (Fig. H)

Speed

- Shows the actual treadmill speed in workout mode.

Incline

- Shows the actual treadmill incline in workout mode.

Distance

- Shows the ran distance workout mode.
- Shows left distance when workout in countdown mode.

Time

- Shows the ran time in workout mode.
- Shows left time when workout in countdown mode.

Step

- Shows the number of steps you have walked/ ran during your workout.

Heart

- Shows the pulse rate in workout mode, or "P" when no pulse is measured.

Calories/ Energy

- Shows the consumed K .calories in workout mode.
- Shows left K. calories when workout in countdown mode.

NOTE

- This data is a rough guide for comparison of different exercise sessions which cannot be used in medical treatment.

NOTE

- LED Displays for Time/ Step, Heart/ Incline & Calories/ Distance scans every 5 seconds.

General profile display

- The bottom line from left to right denote time in minutes between 0~30. It is updated once every 15 minutes during workout
- Left side bar from top to bottom shows incline or bpm value during workout, press the "Enter/ Start" button to switch between Incline/ bpm. (incline is shown in blue/ bpm is shown in red)
- Right side bar from top to bottom shows the speed value.
- The white dot line shows current position, which moves rightward as workout time increases. The workout screen could show 5-hour data at most.
- The orange curve shows the user's actual heart rate, which varies as the heart rate frequency goes up and down.

USB function

The user can connect their device to charge during workout.
Voltage/ Current: 5VDC/ 1.0 Amp

Programs menu

Quick start (Fig. F-1)

- Use "Speed & Incline + / - " buttons to navigate in main menu and select "Quick start".
- Press "Enter/ Start" to confirm and start the 3 seconds countdown to activate the quick start mode.
- Trainer will start up in minimum speed, without any further settings..

During workout mode

- Use "Speed control" keys to adjust the speed setting to your requirements at any time.
- Use "Incline control" keys to adjust the incline setting to your requirements at any time.

Pause/ end your workout (Fig. K-5)

Press "Back/ Stop" button at any time, to stop your active workout. Trainer will shut in pause mode where the display will give you 3 options. Use "Speed & Incline + / - " to select your preferred option.

Continue:

Choose "Continue" to return to your workout, and display will start the 3 seconds countdown before maintain the paused workout.

Exit:

Choose "Exit" to stop your workout, and display will show the "Last session" information. Showing a summary of your workout.

Save&Exit

Choose "Save&Exit" and save the file in "Own Trainings"

- File naming mode will open as a at the pop-up balloon at the bottom of "Save&Exit" button.
- Press "Enter/ Start" button to open the text editing option, showing an "A"
- Change it as you wish by using "Speed & Incline + / - " buttons and confirm the character with "Enter/ Start" button, opening the next character.
- Complete your file name by repeating this procedure.
- When you completed your file name select the "V", and display will show the "Last session" information. Showing a summary of your workout.

NOTE

- To save training data it is required to have 10 minutes or 3 km of training profile data.
- It is not possible to store training data when being in Fitness test or T-Road mode.

Target heart rate

- Use "Speed & Incline + / - " buttons to navigate in main menu and select "Target HR"
- Press "Enter/ Start" to confirm and enter the Setting screen.

HR target programming display

Display screen shows "target heart rate Range 80 - 220 bpm"

- Use "Speed & Incline + / - " buttons to set your desired target HR setting and confirm with "Enter / Start.
- While changing the parameter the max Hr percentage will automatically update the max HR percentage of the selected user setting, based on age.

Training duration goal programming display

- Use "Speed & Incline + / - " buttons to select an Energy, Time or Distance goal, and confirm with "Enter / Start.
 - Use "Speed & Incline + / - " buttons to set your desired duration goal and confirm with "Enter / Start.
- | | | | |
|-----------|-----------------|-------------|-------|
| Energy: | Range 50 ~ 2000 | Default 200 | ± 50. |
| Time : | Range 10 ~ 180 | Default 200 | ± 30. |
| Distance: | Range 3 ~ 100 | Default 10 | ± 1. |
- Press "Enter/ Start" to confirm and start the 3 seconds countdown to activate the "Target HR" mode.

The "Target HR" program is heart rate controlled.

The trainings intensity will be automatically adjusted based on the users heart rate and the pre set HR target.

When user heart rate is below the target, the intensity will increase.
When user heart rate is above the target, the intensity will decrease.

During workout mode

- Use "Speed control" keys to adjust the speed setting to your requirements at any time.
- Use "Incline control" keys to adjust the incline setting to your requirements at any time.

NOTE

- When manual adjusting the intensity, the console will keep behaving as it should based on the HR target settings.
- A message of "No Heart Rate" is shown if the user's heart rate is not detected during workout.

To "Pause/ end your workout" see commencing section in this manual.

Manual

- Use "Speed & Incline + / -" buttons to navigate in main menu and select "manual"
- Press "Enter/ Start" to confirm and enter the Setting screen.

Training duration goal programming display

- Use "Speed & Incline + / -" buttons to select an Energy, Time or Distance goal, and confirm with "Enter / Start."
 - Use "Speed & Incline + / -" buttons to set your desired duration goal and confirm with "Enter / Start."
- | | | | |
|-----------|-----------------|-------------|-------|
| Energy: | Range 50 ~ 2000 | Default 200 | ± 50. |
| Time : | Range 10 ~ 180 | Default 200 | ± 30. |
| Distance: | Range 3 ~ 100 | Default 10 | ± 1. |
- Press "Enter/ Start" to confirm and start the 3 seconds countdown to activate the "Manual" mode.

All pre set profile programs are controlling the in intensity automatically.

During workout mode

- Use "Speed control" keys to adjust the speed setting to your requirements at any time.
- Use "Incline control" keys to adjust the incline setting to your requirements at any time.

To "Pause/ end your workout" see commencing section in this manual.

Preset Programs (fig. K-2)

Use "Speed & Incline + / -" buttons to navigate in main menu and select "Preset Programs"

- Press "Enter/ Start" to confirm and enter the program selection screen.
 - Use "Speed & Incline + / -" buttons to select an "Preset Program"
- 5 profiles are speed controlled
Graphic profile preview is shown in green.
- 5 profiles are incline controlled
Graphic profile preview is shown in Blue.
Press "Enter/ Start" to confirm and enter the Setting screen.

Training duration goal programming display

- Use "Speed & Incline + / -" buttons to select an Energy, Time or Distance goal, and confirm with "Enter / Start."
 - Use "Speed & Incline + / -" buttons to set your desired duration goal and confirm with "Enter / Start."
- | | | | |
|-----------|-----------------|-------------|-------|
| Energy: | Range 50 ~ 2000 | Default 200 | ± 50. |
| Time : | Range 10 ~ 180 | Default 200 | ± 30. |
| Distance: | Range 3 ~ 100 | Default 10 | ± 1. |
- Press "Enter/ Start" to confirm and start the 3 seconds countdown to activate the selected Pre-set Program profile.

During workout mode

- Use "Speed control" keys to adjust the speed setting to your requirements at any time.
- Use "Incline control" keys to adjust the incline setting to your requirements at any time.
- Use "User/ + (scale up)/ Select/ - (scale down)" button to scale up the program profile as a whole.

NOTE

- When manual adjusting the speed by pressing the "Speed control" buttons in a speed controlled profile, the console will only apply the change on the active profile section.
- When manual adjusting the incline by pressing the "Incline control" buttons in an incline controlled profile, the console will only apply the change on the active profile section.
- The maximum/ minimum scaling option is related to the highest/lowest profile settings, as the scaling cannot change the profile.

To "Pause/ end your workout" see commencing section in this manual.

Own Trainings

Use "Speed & Incline + / -" buttons to navigate in main menu and select "Own Trainings"

- Press "Enter/ Start" to confirm and enter the program selection screen.

NOTE

- "No saved trainings where found" will be displayed when there is no saved training.
 - Use "Speed & Incline + / -" buttons to select an available stored "Own training", and
The possible available speed controlled profiles will be recognized when: Graphic profile preview is shown in green.
The possible available incline controlled profiles will be recognized when: Graphic profile preview is shown in Blue.
Press "Enter/ Start" to confirm and enter the Setting screen.
- Use "Speed & Incline + / -" buttons to select:
"Replay", "Edit" or "Delete."

"Replay"

- Select "Replay": Press "Enter/ Start" to confirm and start the 3 seconds countdown to activate the selected profile as a program.

"Edit"

- Use "Speed & Incline + / -" buttons to set your desired duration goal and confirm with "Enter / Start."
- | | | | |
|--------|----------------|-------------|-------|
| Time : | Range 10 ~ 180 | Default 200 | ± 30. |
|--------|----------------|-------------|-------|
- Press "Enter/ Start" to confirm and start the 3 seconds countdown to activate the selected Preset Program profile.

"Delete"

- Press "Enter/ Start" to confirm and the selected "Own profile" will be deleted without an extra warning prompt.

During workout mode

- Use "Speed control" keys to adjust the speed setting to your requirements at any time.
- Use "Incline control" keys to adjust the incline setting to your requirements at any time.
- Use "User/ + (scale up)/ Select/ - (scale down)" button to scale up the program profile as a whole.

NOTE

- When manual adjusting the speed by pressing the "Speed control" buttons in a speed controlled profile, the console will only apply the change on the active profile section.
- When manual adjusting the incline by pressing the "Incline control" buttons in an incline controlled profile, the console will only apply the change on the active profile section.
- The maximum/ minimum scaling option is related to the highest/lowest profile settings, as the scaling cannot change the profile.

To "Pause/ end your workout" see commencing section in this manual.

Fitness test

Use "Speed & Incline + / -" buttons to navigate in main menu and select "Fitness Test"

- Press "Enter/ Start" to confirm and enter the program selection screen.

NOTE

- To start a fitness test a user selection is required. If no user is selected this will be notified in the console.
 - The fitness test results will be stored in the "User log" file.
- Press "Enter/ Start" to confirm and start the 3 seconds countdown to start the "Fitness test"

During workout mode

- To complete the fitness test you should run for the duration of 12 minutes.
- In these 12 minutes you are in control to use "Speed control" keys to adjust the speed to push your limits, as the further you run, the better your score will be.
- Heart rate detection is required to calculate your fitness test results.

End the "Fitness test"

- The test will be completed automatically after 12 minutes, and display will show the "Last session" information. Showing a summary of your workout.
- The "Fitness test" specific test results will be stored in the "User log" file.

NOTE

- When test is aborted before the end time of 12 minutes, the test will fail.
- Display will prompt the user if there is no heart rate signal detected.

T-Road

Use "Speed & Incline + / -" buttons to navigate in main menu and select "T-Road"

- Press "Enter/ Start" to confirm and enter the program selection screen.
- Use "Speed & Incline + / -" buttons to select one of the 3 available T-road profiles.
- Press "Enter/ Start" to confirm and start the 3 seconds countdown to start the selected "T-road" profile.

During workout mode

- For T-road profiles the goal duration is fixed based on the distance of the profile selected.
- Incline settings behaviour is based on the selected profile, so adjusting the incline setting is possible, but will auto correct close to immediately again.
- Use "Speed control" keys to adjust the speed setting to your requirements at any time.
- Use "Enter/ Start" button to switch between movie and profile display.
Movie display: Showing the suggestive track, in where the movie speed is related to the running speed, and the environment inclination is related to the treadmills incline setting.
Profile display: Is showing the actual profile in parameters.

To "Pause/ end your workout" see commencing section in this manual.

Bluetooth mode

NOTE

- This console can connect with an APP on a smart device by Bluetooth (iOS & Android).
- Establish the Bluetooth connection only via the connection mode on the installed APP on your smart device.

Use "Speed & Incline + / -" buttons to navigate in main menu and select "Bluetooth mode"

- Press "Enter/ Start" to confirm and enter the program selection screen, and switch BT module in on mode. BT address will be displayed.
- Press "Start/ Stop" button to exit the BT connection mode display and switch BT module off again if not paired.

NOTE

- Tunturi only provides the option to connect your fitness console throughout a bluetooth connection. Therefore Tunturi cannot be held responsible for damage, or malfunctioning of products other than Tunturi products.
- Check the website for extra information. www.Tunturi.com

User

Press "User/ + (scale up)" button to enter the User menu.

- Use "Speed & Incline + / -" buttons to select one of the 6 available User sub-menu's.
- Press "Enter/ Start" to confirm and enter the selected sub menu.

User Log

User log will open by showing your "Latest Session" workout data.

- Press "Enter/ Start" to the totals of your personal user data.
- Press "Enter/ Start" to exit the "User Log" menu.

User Setting

In "User setting" menu you can set your personal preferences, and see some valuable data. :

- Adjust "Contrast": The brightness (Default=50%)
- View "Total Distance": The total distance of the machine.
- View "Total Time": The total operation time of the machine. .
- View "Current Version": The current installed software.
- Adjust "SW Upgrade": Software update mode.
Yes: Can update software by USB. No: Can't update SW by USB.
- Adjust "Language": The language setting illustrated with a flag.
- Adjust "Volume Control": The button beep sound setting. on(yes) or off (NO). Some sound notifications cannot be set off.

Adjust setting

- Use "Speed & Incline + / -" buttons to select one of the adjustable menu parameters.
 - Press "Enter/ Start" to confirm and enter the editing mode.
 - Use "Speed & Incline + / -" buttons to adjust the parameter.
 - Press "Enter/ Start" to confirm.
- Press "Back/ Stop" to exit the "User Setting" menu. .

User Setting

In "User setting" menu you can change the User Settings parameters if they are not (longer) correct.

See section "Create User" to see how to adjust and store the user setting parameters.

- Press "Back/ Stop" to exit the "User Setting" menu.

Delete User

In "User setting" menu you can delete a user from the stored User Settings parameters and all commencing data. .

- Use "Speed & Incline + / - " buttons to select the user you like to delete.
- Press "Enter/ Start" to confirm and the selected "Own profile" will be deleted without an extra warning prompt.
- Press "Back/ Stop" to exit the "User Setting" menu.

Change User

In "Change User" menu you can change between the users available in the user library. .

- Use "Speed & Incline + / - " buttons to select the user you like to select.
- Press "Enter/ Start" to confirm the displayed user.
- Press "Back/ Stop" to exit the "User Setting" menu.

Create User

Press "User/ + (scale up)" button to enter the "Create User" menu.

- Use "Speed & Incline + / - " buttons to select one of the 9 available User data parameters.
- Press "Enter/ Start" to confirm and enter the selected user parameter adjust window. .

User name:

- Press "Enter/ Start" button to open the text editing option, showing an "A"
- Change it as you wish by using "Speed & Incline + / - " buttons and confirm the character with "Enter/ Start" button, opening the next character.
- Complete your file name by repeating this procedure.
- When you completed your file name select the "√", and display will save the filed name and return to "Create User" menu.

Units, Display

- Use "Speed & Incline + / - " buttons to select the required units settings.

	Speed	Distance	Height	Weight
Metric	Km/ H	Km	Cm	Kg
Imperial	Mph	Mile	Ft/ Inch	Lbs

- Press "Enter/ Start" to confirm your setting and return to "Create User" menu.

Display

- Use "Speed & Incline + / - " buttons to select the required display setting.
Count up: pre-set time/ distance will be counting up
Count Down: pre-set time/ distance will be counting down.
- Press "Enter/ Start" to confirm your setting and return to "Create User" menu.

Gender

- Use "Speed & Incline + / - " buttons to select the required Gender settings.
- Press "Enter/ Start" to confirm your setting and return to "Create User" menu.

Age

- Use "Speed & Incline + / - " buttons to adjust the age settings.
Range: 10 ~ 99 ± 1
- Press "Enter/ Start" to confirm your setting and return to "Create User" menu.

Height

- Use "Speed & Incline + / - " buttons to adjust the height settings.
Range: Metric: 110 ~ 210 ± 1 / Imperial: 3'7 ~ 6'10 ± 0'1
- Press "Enter/ Start" to confirm your setting and return to "Create User" menu.

Weight

- Use "Speed & Incline + / - " buttons to adjust the weight settings.
Metric: 30 ~ 150 ± 1 / Imperial: 66 ~ 330 ± 1
- Press "Enter/ Start" to confirm your setting and return to "Create User" menu.

Max HR

Max HR parameter is an auto calculated value based on your age and Gender setting. Though you are free to set a personal limit.

Male: 220 - age is Max. HR

Female: 226 - age is Max. HR.

- Use "Speed & Incline + / - " buttons to adjust the Max HR settings.
Range: 80 ~ 220 ± 1
- Press "Enter/ Start" to confirm your setting and return to "Create User" menu.

Max Speed

- Use "Speed & Incline + / - " buttons to adjust the height settings.
Metric: 0.5 ~ 16.0 ± 0.1 / Imperial: 0.3 ~ 10.0 ± 0.1
- Press "Enter/ Start" to confirm your setting and return to "Create User" menu.

NOTE

- The set max speed will be used as the maximum treadmill speed, in manual aswell as in program profile modes.

Warranty

Warranty terms

The consumer is entitled to the applicable legal rights stated in the national legislation concerning the commerce of consumer goods. This warranty does not restrict these rights. The Purchaser's Warranty is only valid if the item is used in an environment approved by Tunturi New Fitness BV for that particular equipment. The product-specific approved environment is stated in the Owner's Manual provided with your equipment.

Warranty conditions

The warranty conditions commence from the date of purchase. Warranty conditions may vary per country, so please consult your local dealer for the warranty conditions.

Warranty coverage

Under no circumstances shall Tunturi New Fitness BV or the Tunturi Distributor be liable by virtue of this warranty or otherwise for any special, indirect, secondary or consequential damages of any nature arising out of any use or inability to use this equipment.

Warranty limitations

This warranty covers manufacturing defects in the fitness equipment as originally packed by Tunturi New Fitness BV. The warranty shall apply only under conditions of normal, recommended use of the product as described in the Owner's Manual and providing that Tunturi New Fitness BV's instructions for installation, maintenance and use have been complied with. Neither Tunturi New Fitness BV's nor the Tunturi Distributors' obligations apply to defects due to reasons beyond their control. The warranty applies only to the original purchaser and is valid only in countries where Tunturi New Fitness BV has an authorised importer. The warranty does not extend to fitness equipment or components that have been modified without the consent of Tunturi New Fitness BV. Defects resulting from normal wear, misuse, abuse, corrosion, or damage incurred during loading or transportation are not covered.

The warranty does not cover sounds or noises emitted during use where these do not substantially impede the use of the equipment and where they are not caused by a fault in the equipment.

The warranty does not cover defects arising from the failure to carry periodic maintenance as outlined within the Owner's Manual for the product. Furthermore, the warranty does not cover defects arising from usage and storage within an unsuitable environment as described within the Owner's Manual which should be indoors, dry, dust and grit free and within a temperature range of +15°C to +35°C. The warranty does not cover maintenance activities, such as cleaning, lubricating, and normal part adjustments, nor installation

procedures that customers can accomplish themselves, such as changing uncomplicated meters, pedals and other similar parts not requiring any dismantling/reassembling of the fitness equipment. Warranty repairs carried out by other than authorised Tunturi representatives are not covered.

Failure to follow the instructions given in the Owner's Manual will invalidate the product's warranty.

Cleaning and maintenance

⚠ WARNING

- Before cleaning and maintenance, remove the mains plug from the wall socket.
 - Do not use solvents to clean the equipment.
- Do not block the ventilation openings. Keep the ventilation openings clear from dust, dirt and other obstructions.
 - Clean the equipment with a soft, absorbent cloth after each use.
 - Clean the visible parts of the equipment with a vacuum cleaner with a small suction nozzle
 - Regularly check that all screws and nuts are tight.

Belt and Running Deck

Your treadmill uses a very high-efficient low-friction bed. Performance is maximized when the running deck is kept as clean as possible. Use a soft, damp cloth or paper towel to wipe the edge of the belt and the area between the belt edge and frame. Also reach as far as practical directly under the belt edge. This should be done once a month to extend belt and running deck life. Use water only - no cleaners or abrasives. A mild soap and water solution along with a nylon scrub brush will clean the top of the textured belt. Allow the belt to dry before using.

Lubrication (fig. F-4)

The running belt must be checked for lubrication condition regularly.

⚠ WARNING

- Before lubrication, remove the mains plug from the wall socket.

⚠ CAUTION

- We recommend to check the running belt lubrication at least once every month, as more factors than time can be effective to the lubricant conditions.
 - Only lubricate the running belt if necessary. If you apply too much lubricant, the running belt will slip easily due to lack of friction.
- Stand steadily on the running belt.
 - Take hold of the front handlebar and push the running belt with your feet so that it slides back and forth. The running belt must move smoothly and evenly without making sound.
 - If the running belt does not move smoothly and evenly or if the running belt does not move at all, touch the underside of the running belt with your fingertips to check the lubrication:

- If you feel lubrication or your fingertips are shiny, there is sufficient lubrication on the running belt.
- If you do not feel lubrication or your fingertips are dusty or rough, apply lubricant (15-20 ml) in the middle of the running deck under the running belt and let the equipment operate at 5km/h for at least 5 minutes.
- After lubrication, do not fold the equipment before having done a workout for 20 minutes with a speed of at least 5 km/h. The lubricant will be spread evenly over the running belt.

Belt Dust

This occurs during normal break-in or until the belt stabilizes. Wiping excess off with a damp cloth will minimize build-up.

General Cleaning

Dirt, dust, and pet hair can block air inlets and accumulate on the running belt. On a monthly basis: vacuum underneath your treadmill to prevent buildup. Twice a year, you should remove the black motor hood and vacuum out dirt that may accumulate.

UNPLUG POWER CORD BEFORE THIS TASK.

Belt adjustments

Adjustment must be made from the rear roller. The adjustment bolts are located at the end of the step rails in the end caps.

- Tighten the rear roller bolts (clockwise) only enough to prevent slippage at the front roller. Turn both running belt tension adjustment bolts in increments of 1/4 turn each and inspect for proper tension by walking on the belt at a low speed, making sure the belt does not slip. Keep tensioning the bolts until the belt stops slipping.
- If you feel the belt is tight enough, but it still slips, the problem may be a loose Motor drive belt under the front cover.
- Do Not Over-tighten
Over tightening will cause belt damage and premature bearing failure.

Running belt tracking adjustment

The performance of your treadmill is dependent on the frame running on a reasonably level surface. If the frame is not level, the front and back roller cannot run parallel, and constant belt adjustment may be necessary.

The treadmill is designed to keep the running belt reasonably centered while in use. It is normal for some belts to drift near one side while the belt is running with no one on it. After a few minutes of use, the running belt should have a tendency to center itself. If, during use, the belt continues to move toward one side, adjustments are necessary.

EXCEPTION:

During rehabilitation where the user is using one leg much stronger than the other, it might happen that the running belt drifts to one side. In these cases you should not adjust unless the running belt does not centre itself during normal condition usage.

To set running belt tracking (fig. F-5)

A 10 mm Allen wrench is provided to adjust the rear roller. Make tracking adjustments from the left side only. Set belt speed at approximately 3 to 5 kph.

Remember, a small adjustment can make a dramatic difference!

Turn the bolt clockwise to move the belt to the right. Counterclockwise to move to the left. Turn the bolt only a 1/4 turn and wait a few minutes for the belt to adjust itself. Continue to make 1/4 rotation turns until the belt stabilizes in the center of the running deck.

The belt may require periodic tracking adjustment depending on use and walking/running characteristics. Some users will affect tracking differently. Expect to make adjustments as required to center the tread-belt. Adjustments will become less of a maintenance concern

as the belt is used. Proper belt tracking is an owner responsibility common with all treadmills.

NOTE

- Damage to the running belt because of incorrect running-belt adjustments is not covered by the products warranty.

Troubleshooting

Despite continuous quality control, defects and malfunctions caused by individual components may occur in the equipment. In most cases it's unnecessary to take the whole device in for repair, as it's usually sufficient to replace the defective part.

If the equipment does not function properly during use, contact your Tunturi dealer immediately. Always give the model and serial number of your equipment. Please state also the nature of the problem, conditions of use and purchase date.

If you require spare parts, always give the model, serial number of your equipment and the spare part number for the part you need. The spare part list is at the back of this manual. Use only spare parts mentioned in the spare part list.

Error codes

If the display shows an error code (marked with "E" + number), restart the equipment and check whether the display still shows the error code. If the display still shows the error code, immediately contact the dealer.

Transport and storage

WARNING

- Before cleaning and maintenance, remove the mains plug from the wall socket.
- Carry and move the equipment with at least two persons.
- Make sure that there are no other persons or objects under the equipment.
- When folding the folding the equipment, make sure that you hear the equipment lock into position to prevent the equipment from dropping back down.

CAUTION

- Before folding the equipment, make sure that the incline is 0%. If the incline is not 0%, folding will damage the mechanism.
- Move the equipment as shown (fig. F3). Move the equipment and carefully put the equipment down. Place the equipment on a protective base to prevent damage to the floor surface. Move the equipment carefully over uneven surfaces. Do not move the equipment upstairs using the wheels, but carry the equipment by the handlebars.
- Store the equipment in the upright position (fig. F1). Store the equipment in a dry place with as little temperature variation as possible.

Additional information

Packaging disposal

Government guidelines ask that we reduce the amount of waste material disposed of in land fill sites. We therefore ask that you dispose of all packaging waste responsibly at public recycling centres.

End of life disposal

We at Tunturi hope you enjoy many years of enjoyable use from your fitness trainer. However, a time will come when your fitness trainer will come to the end of its useful life. Under 'European WEEE Legislation you are responsible for the appropriate disposal of your fitness trainer to a recognised public collection facility.

Technical data

Parameter	Unit of measurement	Value
Mains voltage	VAC	210 ~ 240
Mains frequency	HZ	50 ~ 60
Motor	HP	2.5 5.5 Max.
Speed	Km/H	0.5 ~16.0
Speed	Mph	0.3 ~ 10.0
Incline	Step	0 ~ 15
Length (folded)	Cm	193.0 (137.0)
Length (folded)	Inch	76.0 (53.9)
Width	Cm	82.5
Width	Inch	32.5
Height (folded)	Cm	149.0 (155.0)
Height (folded)	Inch	58.7 (61.0)
Weight	Kg	117.0
Weight	Lbs	257.9
Max. user weight	Kb	150
Max. user weight	Lbs	330
HR. receiver	Khz	5.3 Khz

Declaration of the manufacturer

Tunturi New Fitness BV declares that the product is in conformity with the following standards and directives: EN 957 (HA), 89/336/EEC. The product therefore carries the CE label.

12-2019

Tunturi New Fitness BV
Purmerweg 1
1311 XE Almere
The Netherlands

Disclaimer

© 2019 Tunturi New Fitness BV
All rights reserved.

The product and the manual are subject to change. Specifications can be changed without further notice. Check our website for the latest user manual version.

Deutsch

Diese deutsche Bedienungsanleitung ist eine Übersetzung des englischen Textes. Es können keine Rechte auf diese Übersetzung abgeleitet werden.

Index

Laufband	28
Warnhinweise zur Sicherheit	28
Elektrische Sicherheit	28
Montageanleitungen	29
Beschreibung (Abb. A)	29
Verpackungsinhalt (Abb. B&C)	29
Zusammenbau (Abb. D)	29
Zubehör (Abb. H)	29
Trainings	29
Trainingsanleitung	29
Herzfrequenz	30
Gebrauch	30
Konsole (Abb. E-1)	31
Schaltflächen	31
Erklärung der Anzeigeelemente (Abb. H)	32
USB-Funktion	32
Programmmenü	32
Schnellstart.....	32
Ihr Training Anhalten/Beenden	32
Zielherzfrequenz	33
Manuell.....	33
Voreingestellte Programme.....	33
Eigenes Training	34
Fitnessstest	34
T-Road	35
Bluetooth-Modus	35
Benutzer	35
Benutzerprotokoll	35
Benutzereinstellungen.....	35
Benutzereinstellungen.....	35
Benutzer löschen.....	35
Benutzer ändern.....	36
Benutzer erstellen	36
Garantie	36
Reinigung und Wartung	37
Schmierung (Abb. F-4)	37
Betriebs- störungen	38
Fehlercodes.....	38
Transport und Lagerung	38
Zusätzliche Informationen	38
Technische Daten	39
Herstellereklärung	39
Haftungsausschluss	39

Laufband

Willkommen in der Welt von Tunturi!

Danke, dass Sie dieses Gerät von Tunturi erworben haben. Tunturi bietet eine breite Palette an Heim-Fitnessgeräten wie beispielsweise Crosstrainer, Laufbänder, Trainingsfahrräder und Rudergeäte an. Die Tunturi Geräte sind für die ganze Familie geeignet - ganz egal, wie fit man ist. Weitere Informationen finden Sie auf unserer Website unter www.tunturi.com

Wichtige sicherheitshinweise

Dieses Handbuch ist ein wesentlicher Bestandteil Ihres Trainingsgerätes. Lesen Sie es bitte sorgfältig durch, bevor Sie Ihr Trainingsgerät montieren, mit ihm trainieren oder es warten. Bitte bewahren Sie dieses Handbuch auf; es wird Sie jetzt und zukünftig darüber informieren, wie Sie Ihr Gerät benutzen und warten. Befolgen Sie diese Anweisungen immer sorgfältig.

Warnhinweise zur Sicherheit

⚠️ WARNUNG

- Lesen Sie die Warnhinweise zur Sicherheit und die Anweisungen. Werden die Warnhinweise zur Sicherheit und die Anweisungen nicht befolgt, kann dies zu Personenverletzungen und Schäden am Gerät führen. Bewahren Sie die Warnhinweise zur Sicherheit und die Anweisungen zur künftigen Bezugnahme auf.

⚠️ WARNUNG

- Herzfrequenz-Überwachungssysteme können ungenau sein.
 - Eine Überanstrengung kann zu schweren Schädigungen oder zum Tod führen. Wenn Sie sich schwach oder ohnmächtig fühlen, stellen Sie die Übungen unverzüglich ein.
- Das Gerät ist nur für den Heim- und gewerblichen Gebrauch (z.B. Krankenhäuser, Feuerwachen, Hotels, Schulen, usw.) geeignet. Die maximale Verwendung ist auf 6 Stunden pro Tag beschränkt. Das Gerät ist nicht für den ausschließlichen gewerblichen Einsatz (z.B. große Fitnessstudios) geeignet.
 - Wenn dieses Gerät von Kindern oder Personen mit körperlicher, sensorischer, geistiger oder motorischer Behinderung verwendet wird, oder wenn nicht genügend Erfahrung und Kenntnisse vorhanden sind, kann dies zu Gefahrensituationen führen. Personen, die für deren Sicherheit verantwortlich sind, müssen klare Anweisungen geben oder den Gebrauch des Geräts beaufsichtigen.
 - Bevor Sie Ihr Training starten, nehmen Sie Kontakt mit einem Arzt auf, um Ihre Gesundheit kontrollieren zu lassen.
 - Falls Sie Übelkeit, ein Schwindelgefühl oder andere anormale Symptome verspüren, hören Sie unverzüglich mit Ihrem Training auf und wenden Sie sich an einen Arzt.
 - Um einen Muskelkater zu vermeiden, starten Sie jedes Training mit Aufwärmen und beenden Sie es mit Abkühlen. Denken Sie daran, sich am Ende des Trainings zu dehnen.
 - Das Gerät ist nur für den Gebrauch in geschlossenen Räumen geeignet. Das Gerät ist nicht für den Gebrauch im Freien geeignet.
 - Verwenden Sie das Gerät nur in Umgebungen mit ausreichender Belüftung. Verwenden Sie das Gerät nicht in zugiger Umgebung, damit Sie sich nicht erkälten.
 - Verwenden Sie das Gerät nur in Umgebungen mit Umgebungstemperaturen zwischen 10 °C~35 °C. Lagern Sie das Gerät nur in Umgebungen mit einer Umgebungstemperatur zwischen 5 °C~45 °C.
 - Verwenden und lagern Sie das Gerät nicht in feuchten Umgebungen. Die Luftfeuchtigkeit darf niemals 80% überschreiten.
 - Verwenden Sie das Gerät nur bestimmungsgemäß. Verwenden Sie das Gerät nicht für einen anderen als für den in diesem Handbuch beschriebenen Zweck.
 - Verwenden Sie das Gerät nicht, falls Teile beschädigt oder defekt sind. Ist ein Teil beschädigt oder defekt, wenden Sie sich an Ihren Händler.
 - Halten Sie Ihre Hände, Füße und andere Körperteile von den beweglichen Teilen fern.
 - Halten Sie Ihr Haar von den beweglichen Teilen fern.
 - Tragen Sie entsprechende Kleidung und Schuhe.
 - Halten Sie Kleidung, Schmuck und andere Gegenstände von den beweglichen Teilen fern.
 - Vergewissern Sie sich, dass das Gerät nur von einer Person auf einmal verwendet wird. Das Gerät darf nicht von Personen verwendet werden, deren Gewicht 150 kg (330 lbs) überschreitet.
 - Öffnen Sie das Gerät nicht, ohne vorher mit Ihrem Händler zu sprechen.

Elektrische Sicherheit

(Betrifft nur elektrisch betriebene Geräte)

- Vergewissern Sie sich vor der Verwendung stets, dass die Netzspannung mit der Spannung auf dem Typenschild des Geräts übereinstimmt.

- Verwenden Sie kein Verlängerungskabel.
- Halten Sie das Netzkabel von Hitze, Öl und scharfen Kanten fern.
- Verändern Sie nichts am Netzkabel oder am Netzstecker.
- Verwenden Sie das Gerät nicht, falls das Netzkabel oder der Netzstecker beschädigt oder defekt ist. Ist das Netzkabel oder der Netzstecker beschädigt oder defekt, wenden Sie sich an Ihren Händler.
- Wickeln Sie das Netzkabel immer vollständig ab.
- Lassen Sie das Netzkabel nicht unter dem Gerät entlanglaufen. Lassen Sie das Netzkabel nicht unter einem Teppich entlanglaufen. Stellen Sie keine Gegenstände auf das Netzkabel.
- Vergewissern Sie sich, dass das Netzkabel nicht über der Kante eines Tisches hängt. Vergewissern Sie sich, dass niemand versehentlich über das Netzkabel stolpert.
- Lassen Sie das Gerät nicht unbeaufsichtigt, wenn der Netzstecker in die Wandsteckdose eingesteckt ist.
- Ziehen Sie nicht am Netzkabel, um den Netzstecker aus der Wandsteckdose zu ziehen.
- Ziehen Sie den Netzstecker aus der Wandsteckdose, wenn das Gerät nicht verwendet wird, bevor es zusammengebaut oder zerlegt wird sowie vor der Reinigung und Wartung.

⚠️ WARNUNG

- Schwankungen in der Netzspannung von mehr als 10 Prozent können zu Fehlfunktionen des Gerätes führen und die Elektronik beschädigen. Die Leistungsaufnahme kann maximal 15 A betragen. Die Garantie erlischt, wenn das Gerät nicht diesen Anleitungen entsprechend angeschlossen wird

⚠️ WARNUNG

- NIEMALS eine RCD-Steckdose für das Laufband verwenden - Residual Current Device (Fehlerstromschutzschalter) (U.S. ver.= GFCI). Wie bei jedem Gerät mit einem starken Motor, würde das RCD/GFCI oft ausgelöst werden. Führen Sie das Stromkabel abseits aller beweglichen Teile des Laufbands, einschließlich des Hebemechanismus und der Transporträder.

Erdungsanweisungen

Dieses Produkt muss geerdet werden. Wenn das Elektrosystem des Laufbands nicht funktioniert oder ausfällt, ist die Erdung der letzte Widerstand für Stromspannung, wodurch Stromschläge vermieden werden. Dieses Produkt hat eine Kabel mit einem Erdungsstecker. Der Stecker muss in eine geeignete Dose gesteckt werden, die richtig gemäß aller örtlichen Bestimmungen und Verordnungen installiert und geerdet ist.

⚠️ WARNUNG

Ein ungeeigneter Erdungsanschluss des Geräts kann zu Stromschlägen führen. Überprüfen Sie zusammen mit einem qualifizierten Elektriker oder Servicemitarbeiter in Zweifelsfällen, ob das Gerät richtig geerdet ist. Nehmen Sie am Stecker, der mit dem Produkt geliefert wurde, keine Veränderungen vor, wenn dieser nicht in die Steckdose passt; lassen Sie von einem qualifizierten Elektriker eine passende Steckdose installieren.

Montageanleitungen

Beschreibung (Abb. A)

Ihr Laufband ist ein ortsgebundenes Fitnessgerät, das zur Simulation des Gehens oder Laufens verwendet wird, ohne dabei einen übermäßigen Druck auf die Gelenke auszuüben.

Verpackungsinhalt (Abb. B&C)

- Die Verpackung enthält die in Abb. B dargestellten Teile.
- Die Verpackung enthält die Befestigungsteile gemäß Abb. C. Siehe Abschnitt "Beschreibung".

📦 HINWEIS

- Fehlt ein Teil, wenden Sie sich an Ihren Händler.

Zusammenbau (Abb. D)

⚠️ WARNUNG

- Bauen Sie das Gerät in der angegebenen Reihenfolge zusammen.
- Tragen und bewegen Sie das Gerät mit mindestens zwei Personen.

⚠️ VORSICHT

- Stellen Sie das Gerät auf festen, ebenen Boden.
- Stellen Sie das Gerät auf eine schützende Unterlage, um Schäden am Bodenbelag zu vermeiden.
- Sorgen Sie rund um das Gerät für einen Freiraum von mindestens 100 cm.

- Der richtige Zusammenbau des Geräts geht aus den Abbildungen hervor.

Zubehör (abb. H)

!! HINWEIS

- Die abgebildete Abbildung zeigt, wie der Trainer mit den passenden verlängerten Handläufen aussieht.
- Die zusätzlichen verlängerten Handläufe können als Zubehör erworben werden.
- Article nr: 19TRNRH000

Wenden Sie sich an Ihren Händler, um weitere Informationen zu erhalten.

Trainings

Das Training muss leicht und geeignet, aber von langer Dauer sein. Aerobic-Übungen basieren auf der Verbesserung der maximalen Sauerstoffaufnahme des Körpers, was wiederum die Ausdauer und Fitness verbessert. Sie sollten während des Trainings zwar ins Schwitzen, aber nicht außer Atem kommen.

Um eine Basisfitness zu erreichen und zu halten, üben Sie mindestens drei mal pro Woche 30 Minuten lang an einem Stück. Erhöhen Sie die Anzahl der Übungssitzungen, um Ihre Fitness zu verbessern. Es lohnt sich, die regelmäßigen Übungen mit einer gesunden Diät zu kombinieren. Personen, die Diät machen, sollten täglich zuerst 30 Minuten oder weniger an einem Stück üben und die tägliche Trainingszeit allmählich auf eine Stunde verlängern. Beginnen Sie Ihr Training mit niedriger Geschwindigkeit und geringem Widerstand, um zu vermeiden, dass das Herzkreislaufsystem einer übermäßigen Belastung ausgesetzt wird. Mit sich verbessernder Fitness können Geschwindigkeit und Widerstand allmählich erhöht werden. Die Wirksamkeit Ihrer Übungen kann durch Überwachung der Herzfrequenz und Ihrer Pulsfrequenz gemessen werden.

Trainingsanleitung

Die Verwendung des Fitnesstrainers wird Ihnen viele Vorteile bieten: Er verbessert Ihre körperliche Fitness, formt die Muskeln und hilft Ihnen, in Verbindung mit einer kalorienreduzierten Diät, Gewicht zu verlieren.

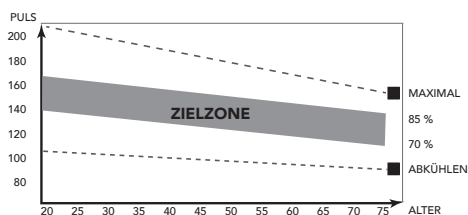
Die Aufwärm-Phase

Der Blutkreislauf wird angeregt und die Muskelfunktionen werden unterstützt. Außerdem wird das Risiko von Krämpfen und Muskelverletzungen gesenkt. Sie sollten, wie unten angezeigt, einige Dehnungsübungen machen. Sie sollten weder die Dehnungsbewegung erzwingen noch die Muskeln dabei ruckweise bewegen - wenn Sie Schmerzen haben, sollten Sie AUFHÖREN.

Die Trainings-Phase

In dieser Phase strengen Sie sich an. Nach regelmäßiger Verwendung werden die Muskeln in Ihren Beinen beweglicher. In dieser Phase ist es sehr wichtig, immer ein gleichmäßiges Tempo beizubehalten.

Die Anstrengung sollte ausreichen, um Ihren Herzschlag bis in die Zielzone zu erhöhen, die im folgenden Diagramm dargestellt ist.



Diese Phase sollte mindestens 12 Minuten dauern; die meisten Menschen beginnen mit ca. 15 bis 20 Minuten.

Die Abkühlungs-Phase

Sie dient der Entspannung Ihres Herz-Kreislaufsystems und Ihrer Muskeln. Dabei werden die Aufwärmübungen wiederholt, reduzieren Sie zum Beispiel Ihr Tempo und machen Sie ca. 5 Minuten weiter. Jetzt sollten die Dehnübungen wiederholt werden. Denken Sie wiederum daran, weder die Dehnungsbewegung zu erzwingen noch die Muskeln dabei ruckweise zu bewegen. Wenn Sie fitter werden, kann es sein, dass Sie länger und härter trainieren müssen. Sie sollten mindestens drei Mal die Woche trainieren und, falls möglich, Ihre Trainingseinheiten gleichmäßig über die Woche verteilen.

Muskelformung

Um Ihre Muskeln beim Training auf dem Fitnesstrainer zu formen, müssen Sie den Widerstand ziemlich hoch einstellen. Dadurch werden die Beinmuskeln mehr angestrengt und Sie können möglicherweise nicht so lange trainieren, wie Sie möchten. Wenn Sie außerdem Ihre Fitness verbessern möchten, müssen Sie Ihr Trainingsprogramm ändern. Sie sollten in den Aufwärm- und Abkühlphasen normal trainieren, jedoch gegen Ende der Trainingsphase den Widerstand erhöhen, damit Ihre Beine härter arbeiten müssen. Sie müssen die Geschwindigkeit verringern, damit Ihre Herzfrequenz in der Zielzone bleibt.

Gewichtsabnahme

Der wichtige Faktor ist, wie sehr Sie sich anstrengen. Je härter und je länger Sie trainieren, desto mehr Kalorien verbrennen Sie. Dies ist im Grunde dasselbe, wie wenn zur Verbesserung Ihrer Fitness trainieren, nur das Ziel ist ein anderes.

Herzfrequenz

Pulsfrequenzmessung (Handpulssensoren)

Die Pulsfrequenz wird durch Sensoren in den Handgriffen gemessen, wenn der Nutzer beide Sensoren gleichzeitig anfasst. Für eine genaue Pulsmessung ist es erforderlich, dass die Haut etwas feucht ist und die Handpulssensoren konstant berührt werden. Ist die Haut zu trocken oder zu feucht, wird die Pulsfrequenzmessung weniger genau.

HINWEIS

- Verwenden Sie die Handpulssensoren nicht in Kombination mit einem Herzfrequenz-Brustgürtel.
- Wenn Sie sich einen Herzfrequenz-Grenzwert für Ihr Training setzen, ertönt beim Überschreiten ein Signal.

Herzfrequenzmessung (Herzfrequenz-Brustgürtel)

HINWEIS

- Ein Herzfrequenz-Brustgürtel gehört bei diesem Trainer nicht zum Standard. Wenn Sie einen drahtlosen Brustgürtel verwenden möchten, müssen Sie diesen als Zubehör erwerben.

Die genaueste Herzfrequenzmessung lässt sich mit einem Herzfrequenz-Brustgürtel erzielen. Die Herzfrequenz wird mit einem Herzfrequenzempfänger in Kombination mit einem Herzfrequenz-Sendegürtel gemessen. Für eine genaue Herzfrequenzmessung ist es erforderlich, dass die Elektroden am Sender etwas feucht sind und

die Haut konstant berühren. Sind die Elektroden zu trocken oder zu feucht, wird die Herzfrequenzmessung weniger genau.

⚠️ WARNUNG

- Falls Sie einen Schrittmacher haben, wenden Sie sich zunächst an einen Arzt, bevor Sie einen Herzfrequenz-Brustgürtel verwenden.

⚠️ VORSICHT

- Falls sich mehrere Herzfrequenz-Messgeräte in gegenseitiger Nähe befinden, vergewissern Sie sich, dass der Abstand zwischen ihnen mindestens 1,5 Meter beträgt.
- Falls nur ein Herzfrequenzempfänger und mehrere Herzfrequenzsender vorhanden sind, vergewissern Sie sich, dass nur eine Person mit einem Sender in Sendereichweite ist.

📌 HINWEIS

- Verwenden Sie keinen Herzfrequenz-Brustgürtel in Kombination mit den Handpulssensoren.
- Tragen Sie den Herzfrequenz-Brustgürtel stets mit direktem Hautkontakt unter Ihrer Kleidung. Tragen Sie den Herzfrequenz-Brustgürtel nicht auf Ihrer Kleidung. Falls Sie den Herzfrequenz-Brustgürtel auf Ihrer Kleidung tragen, gibt es kein Signal.
- Wenn Sie sich einen Herzfrequenz-Grenzwert für Ihr Training setzen, ertönt beim Überschreiten ein Signal.
- Der Sender überträgt die Herzfrequenz in einem Abstand bis zu 1 Meter zur Konsole. Sind die Elektroden nicht feucht, erscheint die Herzfrequenz nicht auf der Anzeige.
- Einige Fasern in der Kleidung (z.B. Polyester, Polyamid) erzeugen statische Elektrizität, die eine genaue Herzfrequenzmessung verhindern kann.
- Mobiltelefone, Fernsehgeräte und andere Elektrogeräte erzeugen ein elektromagnetisches Feld, das eine genaue Herzfrequenzmessung verhindern kann.

Maximale Herzfrequenz (während des Trainings)

Die maximale Herzfrequenz ist die höchste Herzfrequenz, die eine Person durch Übungsbelastung sicher erzielen kann. Folgende Formel wird zur Berechnung der durchschnittlichen maximalen Herzfrequenz verwendet: $220 - \text{ALTER}$. Die maximale Herzfrequenz variiert von Person zu Person.

⚠️ WARNUNG

- Stellen Sie sicher, dass Sie während des Trainings Ihre maximale Herzfrequenz nicht überschreiten. Falls Sie einer Risikogruppe angehören, wenden Sie sich an einen Arzt.

Anfänger

50-60% der maximalen Herzfrequenz

Geeignet für Anfänger, Gewicht- Beobachter, Genesende und Personen, die schon lange nicht mehr trainiert haben. Trainieren Sie mindestens dreimal pro Woche 30 Minuten an einem Stück.

Fortgeschritten

60-70% der maximalen Herzfrequenz

Geeignet für Personen, die ihre Fitness verbessern und halten wollen. Trainieren Sie mindestens dreimal pro Woche 30 Minuten an einem Stück.

Experte

70-80% der maximalen Herzfrequenz

Geeignet für die fittesten Personen, die sich an lange Ausdauertrainings gewöhnt haben.

Gebrauch

Hauptschalter (Abb. E-2A)

Das Gerät ist mit einem Hauptschalter ausgestattet, mit dem es komplett abgeschaltet werden kann.

Um das Gerät zu starten:

- Stecken Sie den Netzstecker in das Gerät.
- Stecken Sie den Netzstecker in die Wandsteckdose.
- Schalten Sie den Hauptschalter ein (ON).

The console application will start loading in the following order:

Stage 1: "Tunturi" logo is display for a few seconds.

Stage 2: "Loading..." is blinking in display.

Stage 3: 3 Acoustic beeps will be heard.

The main menu will open in where "Quick start" is selected as default. Trainer is now ready for use.

Um das Gerät zu stoppen:

- Schalten Sie den Netzschalter aus (OFF).
- Ziehen Sie den Netzstecker aus der Wandsteckdose.
- Ziehen Sie den Netzstecker aus dem Gerät.

NOTE

- Avoid switching off the equipment when there is a data saving activity, to avoid data to be lost.

Sicherheitsschlüssel (Abb. F-4)

Das Gerät ist mit einem Sicherheitsschlüssel ausgestattet, der zum Starten in die Konsole gesteckt werden muss. Wird der Sicherheitsschlüssel aus der Konsole entfernt, stoppt das Gerät sofort.

- Stecken Sie den Sicherheitsschlüssel in den Schlitz in der Konsole.
- Vergewissern Sie sich, dass der Clip des Sicherheitsschlüssels richtig an Ihrer Kleidung befestigt ist.
- Vergewissern Sie sich, dass der Clip nicht von Ihrer Kleidung entfernt wird, bevor der Sicherheitsschlüssel aus der Konsole gezogen wird.

HINWEIS

- Die Konsole zeigt den „senden Sie bitte wichtigsten sicherheits“-Code an, wenn der Sicherheitsschlüssel nicht in Position ist.

Schutzschalter (Abb. E-2B)

Das Gerät ist mit einem Schutzschalter ausgestattet, der den Strom unterbricht, wenn die elektrische Last die maximale Kapazität überschreitet. Tritt dies ein, muss der Schutzschalter gedrückt werden..

WARNUNG

- Ziehen Sie vor dem Drücken des Schutzschalters den Netzstecker aus dem Gerät.

Schaltet das Gerät ab, gehen Sie wie folgt vor, um das Gerät neu zu starten:

- Ziehen Sie den Netzstecker aus dem Gerät.
- Drücken Sie den Schutzschalter, um das Gerät neu zu starten.
- Stecken Sie den Netzstecker in das Gerät.

HINWEIS

- Einige Schutzschalter in Gebäuden sind nicht auf hohen Einschaltstrom ausgelegt, der beim ersten Einschalten des Laufbands oder auch bei normaler Verwendung vorkommen kann. Wenn Ihr Laufband den Schutzschalter auslöst (auch wenn die Spannung korrekt ist und das Laufband das einzige Gerät im Stromkreis ist), aber der Schutzschalter im Laufband selbst nicht ausgelöst wird, müssen Sie den Schalter durch einen für hohen Einschaltstrom ersetzen. Dies ist nicht Teil der Garantieleistungen. Diese Bedingungen können vom Hersteller nicht beeinflusst werden.

Auseinander- und Zusammenklappen des Geräts (Abb. F1-F2)

Das Gerät kann zum Gebrauch auseinandergeklappt (Abb.F1) und zum Transport und zur Aufbewahrung zusammengeklappt werden (Abb. F2). Aus den Abbildungen geht hervor, wie das Gerät richtig auseinander- und zusammengeklappt wird.

WARNUNG

- Stelle sicher das der Steigungswinkel auf 0 steht bevor sie das Lauf-deck einklappen. Wenn der Steigungswinkel nicht auf 0 steht, dann kann der Mechanismus beschädigt werden.

Einstellen der Stützfüße

Das Gerät hat 4 Stützfüße. Steht das Gerät nicht stabil, kann es mit den Stützfüßen eingestellt werden.

- Drehen Sie die Stützfüße wie erforderlich, um das Gerät in eine stabile Position zu bringen.
- Ziehen Sie die Sicherungsmuttern an, um die Stützfüße zu sichern.

HINWEIS

- Die Maschine steht am stabilsten, wenn alle Stützfüße vollständig eingeschraubt sind. Nivellieren Sie die Maschine daher, indem Sie alle Stützfüße vollständig Eindreihen, bevor Sie die entsprechenden Füße zur Stabilisierung der Maschine wieder herausdrehen.

Konsole (Abb. E-1)**VORSICHT**

- Halten Sie die Konsole von direkter Sonneneinstrahlung fern.
- Trocknen Sie die Oberfläche der Konsole, wenn Sie mit Schweißtropfen bedeckt ist.
- Lehnen Sie sich nicht auf die Konsole.
- Berühren Sie die Anzeige nur mit Ihrer Fingerspitze. Vergewissern Sie sich, dass Ihre Nägel oder andere scharfe Gegenstände die Anzeige nicht berühren.

HINWEIS

- Die Konsole schaltet in den Standby-Modus, wenn das Gerät 4 Minuten lang nicht verwendet wird.

Schaltflächen**Enter/ Start (Eingabe/Start)**

- Sportmodus-Bestätigung
- Bestätigung der Option unter Benutzer/Einstellungen
- Bestätigung der Funktion auf dem Einstellbildschirm
- Bestätigung des Einstellwerts.
- Hauptbildschirm Wechsel zwischen den Profilen min-1/Steigung
- Hauptbildschirm Wechsel zwischen Video/Profil während des T-Road

Back/ Stop (Zurück/Stopp)

- Zurück zum vorherigen Fenster
- Das aktive Training anhalten

User/ + (Benutzer/ + (steigern))

- Benutzereinstellungen öffnen.
- Intensität im Trainingsmodus steigern.
Zur Erhöhung um 1 % einmal drücken
Für eine schnellere Intensitätssteigerung drücken und halten.

HINWEIS

- Das Profil kann nicht verformt werden, daher ist die höchste vorprogrammierte Intensität auch die Obergrenze.

Wählen/ - (senken)

- LED-Anzeigemonitor umschalten.
- Intensität im Trainingsmodus senken.
Zur Senkung um 1 % einmal drücken
Für eine schnellere Intensitätssenkung drücken und halten.

HINWEIS

- Das Profil kann nicht verformt werden, daher ist die niedrigste vorprogrammierte Intensität auch die Untergrenze.

Speed +

- Erhöht die Geschwindigkeit (0,5 bis 16 km/h).
- Bei einmaligem Drücken erhöht sich die Geschwindigkeit um 0,1 km/h.

- Die Geschwindigkeit wird schneller erhöht, wenn die Taste zwei Sekunden lang gedrückt gehalten wird.
- Blättern Sie durch die Programme und ändern Sie die Werte im Programmiermodus.

Speed -

- Verringert die Geschwindigkeit (0,5 bis 16,0 km/h).
- Bei einmaligem Drücken verringert sich die Geschwindigkeit um 0,1 km/h.
- Die Geschwindigkeit wird schneller verringert, wenn die Taste zwei Sekunden gedrückt gehalten wird.
- Blättern Sie durch die Programme und ändern Sie die Werte im Programmiermodus.

Geschwindigkeitssteuerungstasten:

Geschwindigkeitstasten sind: 6, 9, 12. (Metrisch 3,7/ 5,6/ 7,5)
So ändert sich zum Beispiel eine beliebige Geschwindigkeit auf 9 km/h, wenn Sie die Kurzwahltaste 9 drücken.

Schnellzugriffstasten am Lenker:

- + Gleich Geschwindigkeit +.
- - Gleich Geschwindigkeit -.

Steigungs-Steuerung +

- Erhöht die Steigung (0 ~ 15 +1).
- Blättern Sie durch die Programme und ändern Sie die Werte im Programmiermodus.

Steigungs-Steuerung -

- Senkt die Steigung (0 ~ 15 -1)
- Blättern Sie durch die Programme und ändern Sie die Werte im Programmiermodus.

Steigungs-Steuerungstasten.

Die Kurzwahltasten sind auf 0, 5, 10 eingestellt.
So ändert sich zum Beispiel eine beliebige Steigung auf 5, wenn Sie die Kurzwahltaste 5 drücken.

Schnellzugriffstasten Steigung am Lenker:

- +: Wie Steigung +.
- -: Wie Steigung -.

Erklärung der Anzeigeelemente (Abb. H)

Geschwindigkeit (Speed)

- Zeigt im Trainingsmodus die aktuelle Laufbandgeschwindigkeit an.

Steigung (Incline)

- Zeigt im Trainingsmodus die aktuelle Laufbandsteigung an.

Entfernung (Distance)

- Zeigt im Trainingsmodus die zurückgelegte Strecke an.
- Zeigt beim Training im Countdown-Modus die verbleibende Entfernung an.

Zeit (Time)

- Zeigt im Trainingsmodus die gelaufene Zeit an.
- Zeigt beim Training im Countdown-Modus die verbleibende Zeit an.

Schritt (Step)

- Zeigt die Anzahl der Schritte an, die Sie während Ihres Trainings gegangen/gelaufen sind.

Herz (Heart)

- Zeigt im Trainingsmodus die Pulsfrequenz oder „P“ an, wenn kein Puls gemessen wird.

Kalorien/Energie (Calories/ Energy)

- Zeigt die verbrauchten Kalorien im Trainingsmodus an.
- Zeigt beim Training im Countdown-Modus die verbleibenden Kalorien an.

HINWEIS

- Diese Daten sind ein grober Anhaltspunkt für den Vergleich verschiedener Trainingssitzungen, die nicht für eine medizinische Behandlung verwendet werden können.

HINWEIS

- LED-Anzeigen für Zeit/Schritte, Herz/Steigerung & Kalorien/Entfernung, schaltet alle 5 Sekunden um.

Allgemeine Profilanzeige

- Die untere Linie zeigt von links nach rechts die Zeit in Minuten zwischen 0~30 an. Die Anzeige wird beim Training alle 15 Minuten aktualisiert
- Die Leiste auf der linken Seite zeigt von unten nach oben die Steigung oder den min-1-Wert an
Drücken Sie während des Training auf „Eingabe/Start“ (Enter/Start), um zwischen Steigung und min-1 zu wechseln. (Steigung wird blau dargestellt/min-1 wird rot dargestellt)
- Die Leiste auf der rechten Seite zeigt von oben nach unten die Geschwindigkeit an.
- Die weiße Punktlinie zeigt die aktuelle Position an und bewegt sich mit zunehmender Trainingszeit nach rechts. Der Trainingsbildschirm kann maximal 5-Stunden-Daten anzeigen.
- Die orangefarbene Kurve zeigt die tatsächliche Herzfrequenz des Benutzers an, und steigt, bzw. sinkt entsprechend der aktuellen Herzfrequenz.

USB-Funktion

Der USB-Anschluss kann für Servicezwecke genutzt werden, z. B. um eine Softwareaktualisierung über ein USB-Laufwerk durchzuführen. .

HINWEIS

- Wenn Ihr Gerät gut funktioniert und die Software gut funktioniert, raten wir dazu, die Software nicht zu ändern, es sei denn, es sind neue Funktionen verfügbar.
- Wenden Sie sich vor einer Softwareaktualisierung immer an Ihr Service-Center, um eine korrekte und aktuelle Softwareaktualisierungsdateien zu erhalten.

Programmmenü

Schnellstart

- Navigieren Sie mit den Tasten „Geschwindigkeit & Steigung +/-“ (Speed & Incline) zum Hauptmenü und wählen Sie „Schnellstart“.
- Drücken Sie zur Bestätigung auf „Eingabe/Start“ (Enter/Start) und starten Sie den dreisekündigen Countdown zum Starten des Schnellstartmodus.
- Das Gerät startet bei minimaler Geschwindigkeit und ohne weitere Einstellungen.

Im Trainingsmodus

- Mit den Tasten für die „Geschwindigkeit“ (Speed control) können Sie die Geschwindigkeit jederzeit ändern.
- Mit den Tasten für die „Steigung“ können Sie die Steigung jederzeit ändern.

Ihr Training Anhalten/Beenden

Sie können jederzeit auf die Taste „Zurück/Stop“ (Back/Stop) drücken, um das aktive Training zu anzuhalten. Das Gerät schaltet in den Pausenmodus und auf der Anzeige werden drei Optionen angeboten. Wählen Sie „Geschwindigkeit & Steigung +/-“ (Speed & Incline), um die gewünschte Option auszuwählen.

Weiter:

Wählen Sie „Weiter“, um mit Ihrem Training fortzufahren. Auf der Anzeige wird der dreisekündige Countdown angezeigt, bevor das unterbrochene Training fortgesetzt wird.

Beenden:

Wählen Sie „Beenden“, um Ihr Training zu beenden. Auf der Anzeige werden die Informationen zur „letzten Einheit“ angezeigt. Anzeige einer Zusammenfassung Ihres Trainings.

Speichern

Wählen Sie „Speichern“ und speichern Sie die Daten in „Eigenes Training“.

- Der Dateinamensmodus wird in der Popup-Ballonleiste unten auf der Schaltfläche „Speichern und Beenden“ (Save&Exit) geöffnet.
- Drücken Sie auf die Taste „Eingabe/Start“ (Enter/Start), um die Textbearbeitung zu öffnen, die mit einem „A“ angezeigt wird
- Ändern Sie das Zeichen nach Wunsch mit den Tasten „Geschwindigkeit & Steigung +/-“ (Speed & Incline) und bestätigen Sie das gewählte Zeichen mit der Taste „Eingabe/Start“ (Enter/Start). Das nächste Zeichen wird angezeigt.
- Geben Sie auf diese Weise den vollständigen Dateinamen ein.
- Wenn Sie den Dateinamen eingegeben haben, wählen Sie das „✓“. Auf der Anzeige erscheinen die Informationen zur „Letzte Trainingssitzung“. Anzeige einer Zusammenfassung Ihres Trainings.

HINWEIS

- Um die Trainingsdaten zu speichern, sind mindestens 10 Minuten oder 3 km an Daten für das Trainingsprofil erforderlich.
- Es können keine Trainingsdaten gespeichert werden, wenn Sie sich im Fitnesstest- oder T-Road-Modus befinden.

Zielherzfrequenz

- Navigieren Sie mit den Tasten „Geschwindigkeit & Steigung +/-“ (Speed & Incline) zum Hauptmenü und wählen Sie „Zielherzfrequenz“.
- Drücken Sie auf die Taste „Eingabe/Start“ (Enter/Start), um den Einstellungsbildschirm zu bestätigen und zu öffnen.

Anzeige der HF-Sollprogrammierung

Auf der Anzeige wird der „Zeit festlegen Bereich 80 - 220 bpm“ angezeigt

- Nehmen Sie mit den Tasten „Geschwindigkeit & Steigung +/-“ (Speed & Incline) die gewünschte HR-Solleinstellung vor und bestätigen Sie die Werte mit der Taste „Eingabe/Start“ (Enter/Start).
- Beim Ändern des Parameters wird der HF-Prozentsatz den max. HF-Prozentsatz für den ausgewählten Benutzer je nach Alter anpassen.

Trainingsdauer Anzeige der Zielprogrammierung

- Nehmen Sie mit den Tasten „Geschwindigkeit & Steigung +/-“ (Speed & Incline) die gewünschte Solleinstellung für Energie, Zeit oder Entfernung vor und bestätigen Sie die Werte mit der Taste „Eingabe/Start“ (Enter/Start).
- Nehmen Sie mit den Tasten „Geschwindigkeit & Steigung +/-“ (Speed & Incline) die gewünschte Dauer vor und bestätigen Sie die Werte mit der Taste „Eingabe/Start“ (Enter/Start).

Energie: Bereich 50 ~ 2000 Standard 200 ± 50.

Zeit: Bereich 10 ~ 180 Standard 200 ± 30.

Entfernung: Bereich 3 ~ 100 Standard 10 ± 1.

- Drücken Sie zur Bestätigung auf „Eingabe/Start“ (Enter/Start) und starten Sie den dreisekündigen Countdown zum Starten des Moduls „HF Soll“ (Target HR).

Das Programm „HF Soll“ (Target HR) ist herzfrequenzgesteuert.

Die Trainingsintensität wird automatisch an die Herzfrequenz des Benutzers und das vorgegebene HF-Ziel angepasst.

Wenn die Herzfrequenz des Benutzers unter dem Ziel liegt, wird die Intensität gesteigert.

Wenn die Herzfrequenz des Benutzers über dem Ziel liegt, wird die Intensität gesenkt.

Im Trainingsmodus

- Mit den Tasten für die „Geschwindigkeit“ (Speed control) können Sie die Geschwindigkeit jederzeit ändern.
- Mit den Tasten für die „Steigung“ können Sie die Steigung jederzeit ändern.

HINWEIS

- Wenn die Intensität manuell eingestellt wird, verhält sich die Konsole entsprechend den HF-Solleinstellungen.
- Die Meldung „Keine Herzfrequenz“ (No Heart Rate) wird angezeigt, wenn die Herzfrequenz des Benutzers beim Training nicht erkannt wird.

Zum „Training Anhalten/Beenden“ (Pause/end your workout) beachten Sie bitte den entsprechenden Abschnitt in diesem Handbuch.

Manuell

- Navigieren Sie mit den Tasten „Geschwindigkeit & Steigung +/-“ (Speed & Incline) zum Hauptmenü und wählen Sie „Manuell“ (manual)
- Drücken Sie auf die Taste „Eingabe/Start“ (Enter/Start), um den Einstellungsbildschirm zu bestätigen und zu öffnen.

Trainingsdauer Anzeige der Zielprogrammierung

- Nehmen Sie mit den Tasten „Geschwindigkeit & Steigung +/-“ (Speed & Incline) die gewünschte Solleinstellung für Energie, Zeit oder Entfernung vor und bestätigen Sie die Werte mit der Taste „Eingabe/Start“ (Enter/Start).
- Nehmen Sie mit den Tasten „Geschwindigkeit & Steigung +/-“ (Speed & Incline) die gewünschte Dauer vor und bestätigen Sie die Werte mit der Taste „Eingabe/Start“ (Enter/Start).

Energie: Bereich 50 ~ 2000 Standard 200 ± 50.

Zeit: Bereich 10 ~ 180 Standard 200 ± 30.

Entfernung: Bereich 3 ~ 100 Standard 10 ± 1.

- Drücken Sie zur Bestätigung auf „Eingabe/Start“ (Enter/Start) und starten Sie den dreisekündigen Countdown zum Starten des Moduls „Manuell“ (manual).

Alle vorangestellten Profilprogramme steuern die Intensität automatisch.

Im Trainingsmodus

- Mit den Tasten für die „Geschwindigkeit“ (Speed control) können Sie die Geschwindigkeit jederzeit ändern.
- Mit den Tasten für die „Steigung“ können Sie die Steigung jederzeit ändern.

Zum „Training Anhalten/Beenden“ (Pause/end your workout) beachten Sie bitte den entsprechenden Abschnitt in diesem Handbuch.

Voreingestellte Programme

Navigieren Sie mit den Tasten „Geschwindigkeit & Steigung +/-“ (Speed & Incline) zum Hauptmenü und wählen Sie „Voreingestellte Programme“ (Preset Programs)

- Drücken Sie auf die Taste „Eingabe/Start“ (Enter/Start), um den Programmauswahlbildschirm zu bestätigen und zu öffnen.
- Verwenden Sie die Tasten „Geschwindigkeit & Steigung +/-“ (Speed & Incline), um ein „Voreingestelltes Programme“ auszuwählen

5 Profile sind geschwindigkeitsgesteuert

Die grafische Profilvorschau wird grün dargestellt.

5 Profile sind neigungsgesteuert

Die grafische Profilvorschau wird blau dargestellt.

Drücken Sie auf die Taste „Eingabe/Start“ (Enter/Start), um den Einstellungsbildschirm zu bestätigen und zu öffnen.

Trainingsdauer Anzeige der Zielprogrammierung

- Nehmen Sie mit den Tasten „Geschwindigkeit & Steigung +/-“ (Speed & Incline) die gewünschte Soll-einstellung für Energie, Zeit oder Entfernung vor und bestätigen Sie die Werte mit der Taste „Eingabe/Start“ (Enter/Start).
- Nehmen Sie mit den Tasten „Geschwindigkeit & Steigung +/-“ (Speed & Incline) die gewünschte Dauer vor und bestätigen Sie die Werte mit der Taste „Eingabe/Start“ (Enter/Start).
Energie: Bereich 50 ~ 2000 Standard 200 ± 50.
Zeit: Bereich 10 ~ 180 Standard 200 ± 30.
Entfernung: Bereich 3 ~ 100 Standard 10 ± 1.
- Drücken Sie auf „Eingabe/Start“ (Enter/Start) und starten Sie den dreisekündigen Countdown zur Aktivierung des voreingestellten Programmprofils.

Im Trainingsmodus

- Mit den Tasten für die „Geschwindigkeit“ (Speed control) können Sie die Geschwindigkeit jederzeit ändern.
- Mit den Tasten für die „Steigung“ können Sie die Steigung jederzeit ändern.
- Mit der Taste „Benutzer/ + (steigern)/Auswählen/ - (senken)“ (User/ + (scale-up)/ Select/ - (scale-down)) können Sie das gesamte Programmprofil steigern oder senken.

HINWEIS

- Wenn Sie die Geschwindigkeit manuell durch Drücken der Tasten „Geschwindigkeitsregelung“ (Speed control) in einem geschwindigkeitsgesteuerten Profil anpassen, übernimmt die Konsole nur die Änderung für den aktiven Profilabschnitt.
- Wenn Sie die Steigung manuell durch Drücken der Tasten „Steigungssteuerung“ (Incline control) in einem neigungsgesteuerten Profil einstellen, übernimmt die Konsole nur die Änderung für den aktiven Profilabschnitt.
- Die Option Maximum/Minimum-Skalierung bezieht sich auf die Einstellungen des höchsten/niedrigsten Profils, da die Skalierung das Profil nicht verändern kann.

Zum „Training Anhalten/Beenden“ (Pause/end your workout) beachten Sie bitte den entsprechenden Abschnitt in diesem Handbuch.

Eigenes Training

Navigieren Sie mit den Tasten „Geschwindigkeit & Steigung +/-“ (Speed & Incline) zum Hauptmenü und wählen Sie „Eigene Trainings“ (Own Trainings)

- Drücken Sie auf die Taste „Eingabe/Start“ (Enter/Start), um den Programmauswahlbildschirm zu bestätigen und zu öffnen.

HINWEIS

- Der Text „Es wurden keine gespeicherten Trainings gefunden“ wird angezeigt, wenn es keine gespeicherten Trainings gibt.
- Mit den Tasten „Geschwindigkeit & Steigung +/-“ (Speed & Incline) können die verfügbaren gespeicherten „Eigenen Trainings“ (Own Trainings) auswählen.
Die möglichen verfügbaren geschwindigkeitsgesteuerten Profile werden erkannt, wenn: Die grafische Profilvorschau wird grün dargestellt.
Die eventuell verfügbaren neigungsgesteuerten Profile werden erkannt, wenn: Die grafische Profilvorschau wird blau dargestellt.
Drücken Sie auf die Taste „Eingabe/Start“ (Enter/Start), um den Einstellungsbildschirm zu bestätigen und zu öffnen.

Wählen Sie mit den Tasten „Geschwindigkeit & Steigung +/-“ (Speed & Incline) folgendes aus:
„Wiedergabe“ (Replay), „Bearbeiten“ (Edit) oder „Löschen“ (Delete).

„Wiedergabe“

- Wählen Sie „Wiedergabe“: Drücken Sie auf „Eingabe/Start“ (Enter/Start) und starten Sie den dreisekündigen Countdown zur Aktivierung des ausgewählten Profils als Programm.

„Bearbeiten“

- Nehmen Sie mit den Tasten „Geschwindigkeit & Steigung +/-“ (Speed & Incline) die gewünschte Dauer vor und bestätigen Sie die Werte mit der Taste „Eingabe/Start“ (Enter/Start).
Zeit: Bereich 10 ~ 180 Standard 200 ± 30.
- Drücken Sie auf „Eingabe/Start“ (Enter/Start) und starten Sie den dreisekündigen Countdown zur Aktivierung des voreingestellten Programmprofils.

„Löschen“

- Bestätigen Sie dies mit „Eingabe/Start“ (Enter/Start) und das ausgewählte „Eigene Profil“ (Own profile) wird ohne zusätzlichen Warnhinweis gelöscht.

Im Trainingsmodus

- Mit den Tasten für die „Geschwindigkeit“ (Speed control) können Sie die Geschwindigkeit jederzeit ändern.
- Mit den Tasten für die „Steigung“ können Sie die Steigung jederzeit ändern.
- Mit der Taste „Benutzer/ + (steigern)/Auswählen/ - (senken)“ (User/ + (scale-up)/ Select/ - (scale-down)) können Sie das gesamte Programmprofil steigern oder senken.

HINWEIS

- Wenn Sie die Geschwindigkeit manuell durch Drücken der Tasten „Geschwindigkeitsregelung“ (Speed control) in einem geschwindigkeitsgesteuerten Profil anpassen, übernimmt die Konsole nur die Änderung für den aktiven Profilabschnitt.
- Wenn Sie die Steigung manuell durch Drücken der Tasten „Steigungssteuerung“ (Incline control) in einem neigungsgesteuerten Profil einstellen, übernimmt die Konsole nur die Änderung für den aktiven Profilabschnitt.
- Die Option Maximum/Minimum-Skalierung bezieht sich auf die Einstellungen des höchsten/niedrigsten Profils, da die Skalierung das Profil nicht verändern kann.

Zum „Training Anhalten/Beenden“ (Pause/end your workout) beachten Sie bitte den entsprechenden Abschnitt in diesem Handbuch.

Fitnessstest

Navigieren Sie mit den Tasten „Geschwindigkeit & Steigung +/-“ (Speed & Incline) zum Hauptmenü und wählen Sie „Fitnessstest“ (Fitness Test)

- Drücken Sie auf die Taste „Eingabe/Start“ (Enter/Start), um den Programmauswahlbildschirm zu bestätigen und zu öffnen.

HINWEIS

- Um einen Fitnessstest zu starten, ist eine Benutzerauswahl erforderlich.
Wenn kein Benutzer ausgewählt ist, wird dies in der Konsole angezeigt.
- Die Ergebnisse des Fitnessstests werden in der Datei „User log“ gespeichert.

- Drücken Sie zur Bestätigung auf „Eingabe/Start“ (Enter/Start) und starten Sie den dreisekündigen Countdown zum Starten des „Fitnessstests“ (Fitness Test)

Im Trainingsmodus

- Um den Fitnessstest abzuschließen, sollten Sie 12 Minuten laufen.
- In diesen 12 Minuten können Sie die Geschwindigkeit mit den Tasten „Geschwindigkeitsregelung“ (Speed control) einstellen, um Ihre Grenzen zu erweitern, denn je weiter Sie laufen, desto besser werden Ihre Ergebnisse.
- Die Herzfrequenzerkennung ist Voraussetzung für die Berechnung Ihrer Fitnessstestergebnisse.

„Fitnessstest“ (Fitness Test) beenden

- Der Test wird nach 12 Minuten automatisch beendet und die Informationen zur „letzten Einheit“ (Last Session) werden angezeigt. Anzeige einer Zusammenfassung Ihres Trainings.

- Die Ergebnisse des „Fittestests“ (Fitness Test) werden in der Datei „User log“ gespeichert.

HINWEIS

- Wenn der Test vor Ablauf der 12 Minuten abgebrochen wird, kann er nicht durchgeführt werden.
- Wenn kein Herzfrequenzsignal erkannt wird, wird der Benutzer über die Anzeige darauf hingewiesen.

T-Road

Navigieren Sie mit den Tasten „Geschwindigkeit & Steigung +/-“ (Speed & Incline) zum Hauptmenü und wählen Sie „T-Road“

- Drücken Sie auf die Taste „Eingabe/Start“ (Enter/Start), um den Programmauswahlbildschirm zu bestätigen und zu öffnen.
- Wählen Sie mit den Tasten „Geschwindigkeit & Steigung +/-“ (Speed & Incline) eines der 3 verfügbaren T-Road-Profile aus.
- Drücken Sie auf „Eingabe/Start“ (Enter/Start) und starten Sie den dreisekündigen Countdown zum Starten des ausgewählten „T-Road“-Profils.

Im Trainingsmodus

- Bei „T-Road“-Profilen wird die Solldauer basierend auf dem Abstand des ausgewählten Profils festgelegt.
- Das Verhalten der Steigungseinstellungen basiert auf dem ausgewählten Profil, so dass eine Anpassung der Steigungseinstellung möglich ist, aber durch die automatische Korrektur sofort wieder geändert wird.
- Mit den Tasten für die „Geschwindigkeit“ (Speed control) können Sie die Geschwindigkeit jederzeit ändern.
- Mit der Taste „Eingabe/Start“ (Enter/Start) können Sie zwischen Film- und Profilanzeige wechseln.
Filmanzeige: Anzeige des Symbolfilms, in dem die Filmgeschwindigkeit mit der Laufgeschwindigkeit verbunden wird, und die Umgebungsneigung der Steigungseinstellung des Laufbandes entspricht.
Profilwiedergabe: Zeigt das aktuelle Profil in Parametern an.

Zum „Training Anhalten/Beenden“ (Pause/end your workout) beachten Sie bitte den entsprechenden Abschnitt in diesem Handbuch.

Bluetooth-Modus

HINWEIS

- Diese Konsole kann über Bluetooth mit einer App auf einem Smartphone oder ähnlichen Geräten (iOS & Android) verbunden werden.
- Richten Sie die Bluetooth-Verbindung nur über den Verbindungsmodus der installierten App auf Ihrem Smart Device ein.

Navigieren Sie mit den Tasten „Geschwindigkeit & Steigung +/-“ (Speed & Incline) zum Hauptmenü und wählen Sie „Bluetooth-Modus“ (Bluetooth Mode)

- Drücken Sie auf die Taste „Eingabe/Start“ (Enter/Start), um den Programmauswahlbildschirm zu bestätigen und das BT-Modul zu aktivieren.
Die BT-Adresse wird angezeigt.
- Drücken Sie auf die Taste „Start/Stopp“ (Start/Stop), um den BT-Verbindungsmodus zu verlassen und das BT-Modul und das BT-Modul wieder auszuschalten, wenn es nicht gekoppelt ist.

HINWEIS

- Tunturi bietet nur die Option für eine Verbindung Ihrer Fitness-Konsole über Bluetooth an. Daher ist Tunturi nicht für Schäden oder Fehlfunktionen von Produkten verantwortlich, die nicht von Tunturi sind.
- Weitere Informationen finden Sie auf der Website. www.tunturi.com

Benutzer

Öffnen Sie mit der Taste „Benutzer/ + (steigern)“ (User/ + (scale-up)) das Benutzermenü.

- Wählen Sie mit den Tasten „Geschwindigkeit & Steigung +/-“ (Speed & Incline) eines der 6 verfügbaren Benutzer-Untermenüs aus.
- Drücken Sie auf die Taste „Eingabe/Start“ (Enter/Start), um das Untermenü zu öffnen.

Benutzerprotokoll

Das Benutzerprotokoll wird geöffnet und zeigt die Trainingsdaten Ihrer „Letzten Einheit (Latest Session)“ an.

- Drücken Sie auf „Eingabe/Start“ (Enter/Start), um die Gesamtwerte Ihrer persönlichen Benutzerdaten anzuzeigen.
- Drücken Sie auf „Eingabe/Start“ (Enter/Start), um das Menü „Benutzerprotokoll“ (User Log) zu verlassen.

Benutzereinstellungen

Im Menü „Benutzereinstellungen“ (User Setting) können Sie Ihre persönlichen Einstellungen vornehmen und einige interessante Daten einsehen. :

- „Kontrast“ (Contrast) einstellen: Die Helligkeit (Standard=50 %)
- „Gesamtstrecke“ (Total Distance) anzeigen: Die Gesamtstrecke des Geräts.
- „Gesamtzeit“ (Total Time) anzeigen: Die Gesamtbetriebszeit des Geräts. .
- „Aktuelle Version“ (Current Version) einstellen: Die derzeit installierte Software.
- „SW Upgrade“ einstellen: Softwareaktualisierungsmodus: Ja: Software kann über USB aktualisiert werden. Nein: Software kann nicht über USB aktualisiert werden.
- Sprache einstellen: Die Spracheinstellung wird mit einer Flagge dargestellt.
- Lautstärke einstellen: Einstellung der Tastentöne. Ein (Ja) oder Aus (Nein). Einige akustische Benachrichtigungen können nicht ausgeschaltet werden.

Einstellung ändern

- Wählen Sie mit den Tasten „Geschwindigkeit & Steigung +/-“ (Speed & Incline) eines der Menüparameter aus.
- Drücken Sie zur Bestätigung auf die Taste „Eingabe/Start“ (Enter/Start), um Bearbeitungsmodus zu öffnen.
- Stellen Sie mit den Tasten „Geschwindigkeit & Steigung +/-“ (Speed & Incline) den Parameter ein.
- Drücken Sie zur Bestätigung auf die Taste „Eingabe/Start“ (Enter/Start).
- Drücken Sie auf „Zurück/Stopp“ (Back/Stop), um das Menü „Benutzereinstellungen“ (User Setting) zu verlassen. .

Benutzereinstellungen

Im Menü „Benutzereinstellungen“ (User Setting) können Sie die Einstellungsparameter ändern, wenn Sie nicht (mehr) korrekt sind. Im Abschnitt „Benutzer einrichten“ (Create User) erfahren Sie, wie Sie die Einstellungsparameter des Benutzers anpassen und speichern können.

- Drücken Sie auf „Zurück/Stopp“ (Back/Stop), um das Menü „Benutzereinstellungen“ (User Setting) zu verlassen.

Benutzer löschen

Im Menü „Benutzereinstellungen“ (User Setting) können Sie einen Benutzer aus den gespeicherten Parametern der Benutzereinstellungen mit entsprechenden Daten löschen. .

- Sie können den Benutzer mit den Tasten „Geschwindigkeit & Steigung +/-“ (Speed & Incline) auswählen und löschen.
- Bestätigen Sie dies mit „Eingabe/Start“ (Enter/Start) und das ausgewählte „Eigene Profil“ (Own profile) wird ohne zusätzlichen Warnhinweis gelöscht.
- Drücken Sie auf „Zurück/Stopp“ (Back/Stop), um das Menü „Benutzereinstellungen“ (User Setting) zu verlassen.

Benutzer ändern

- Im Menü „Benutzer ändern“ (Change User) können Sie zwischen den in der Benutzerbibliothek verfügbaren Benutzern wählen. .
- Mit den Tasten „Geschwindigkeit & Steigung +/-“ (Speed & Incline) können den jeweiligen Benutzer auswählen.
 - Drücken Sie zur Bestätigung des angezeigten Benutzers auf die Taste „Eingabe/Start“ (Enter/Start).
 - Drücken Sie auf „Zurück/Stopp“ (Back/Stop), um
 - Drücken Sie auf „Zurück/Stopp“ (Back/Stop), um das Menü „Benutzereinstellungen“ (User Setting) zu verlassen.

Benutzer erstellen

Öffnen Sie mit der Taste „Benutzer/ + (steigern)“ (User/ + (scale-up)) das Menü zur Benutzererstellung.

- Mit den Tasten „Geschwindigkeit & Steigung +/-“ (Speed & Incline) können Sie einen der neun verfügbaren Benutzerdaten-Parameter auswählen.
- Drücken Sie zur Bestätigung auf „Eingabe/Start“ (Enter/Start) und wählen Sie das ausgewählte Einstellungsfenster für die Benutzereinstellungen aus. .

Benutzername:

- Drücken Sie auf die Taste „Eingabe/Start“ (Enter/Start), um die Textbearbeitung zu öffnen, die mit einem „A“ angezeigt wird
- Ändern Sie das Zeichen nach Wunsch mit den Tasten „Geschwindigkeit & Steigung +/-“ (Speed & Incline) und bestätigen Sie das gewählte Zeichen mit der Taste „Eingabe/Start“ (Enter/Start). Das nächste Zeichen wird angezeigt.
- Geben Sie auf diese Weise den vollständigen Dateinamen ein.
- Wenn Sie die Eingabe des Dateinamen abgeschlossen haben, wählen Sie „√“, die Anzeige speichert dann den Dateinamen und kehrt zum Menü „Benutzer erstellen“ (Create User) zurück.

Einheiten, Anzeige

- Wählen Sie mit den Tasten „Geschwindigkeit & Steigung +/-“ (Speed & Incline) die gewünschte Einstellungen für die Einheiten aus.

	Geschwindigkeit	Entfernung	Höhe	Gewicht
Metrisch	km/h	km	cm	kg
Angelsächsisch	mph	Meilen	Ft/Inch	Pfund

- Drücken Sie auf „Eingabe/Start“ (Enter/Start), um Ihre Einstellungen zu bestätigen und zum Menü „Benutzer erstellen“ (Create User) zurückzukehren.

Anzeige

- Wählen Sie mit den Tasten „Geschwindigkeit & Steigung +/-“ (Speed & Incline) die gewünschte Anzeige aus.
Hochzählen: Die voreingestellte Zeit/Distanz wird hochgezählt
Count Down: voreingestellte Zeit/Distanz wird heruntergezählt.
- Drücken Sie auf „Eingabe/Start“ (Enter/Start), um Ihre Einstellungen zu bestätigen und zum Menü „Benutzer erstellen“ (Create User) zurückzukehren.

Geschlecht

- Wählen Sie mit den Tasten „Geschwindigkeit & Steigung +/-“ (Speed & Incline) die gewünschte Einstellungen für die Wahl des Geschlechts aus.
- Drücken Sie auf „Eingabe/Start“ (Enter/Start), um Ihre Einstellungen zu bestätigen und zum Menü „Benutzer erstellen“ (Create User) zurückzukehren.

Alter

- Stellen Sie mit den Tasten „Geschwindigkeit & Steigung +/-“ (Speed & Incline) das Alter ein.
Bereich: 10 ~ 99 ± 1
- Drücken Sie auf „Eingabe/Start“ (Enter/Start), um Ihre Einstellungen zu bestätigen und zum Menü „Benutzer erstellen“ (Create User) zurückzukehren.

Höhe

- Stellen Sie mit den Tasten „Geschwindigkeit & Steigung +/-“ (Speed & Incline) die Höhe ein.
Bereich: Metrisch: 110 ~ 210 ± 1/Angelsächsisch: 3'7 ~ 6'10 ± 0'1
- Drücken Sie auf „Eingabe/Start“ (Enter/Start), um Ihre Einstellungen zu bestätigen und zum Menü „Benutzer erstellen“ (Create User) zurückzukehren.

Gewicht

- Stellen Sie mit den Tasten „Geschwindigkeit & Steigung +/-“ (Speed & Incline) das Gewicht ein.
Metrisch: 30 ~ 150 ± 1/Angelsächsisch: 66 ~ 330 ± 1
- Drücken Sie auf „Eingabe/Start“ (Enter/Start), um Ihre Einstellungen zu bestätigen und zum Menü „Benutzer erstellen“ (Create User) zurückzukehren.

Max. HF

Der Parameter Max. HF ist ein automatisch berechneter Wert auf Grundlage Ihrer Alters- und Geschlechtseinstellung. Sie können Ihr persönliches Limit jederzeit selbst festlegen.

Männlich: 220 - Alter ist max. HF

Weiblich: 226 - Alter ist max. HF.

- Stellen Sie mit den Tasten „Geschwindigkeit & Steigung +/-“ (Speed & Incline) den Wert Max. HF ein.
Bereich: 80 ~ 220 ± 1
- Drücken Sie auf „Eingabe/Start“ (Enter/Start), um Ihre Einstellungen zu bestätigen und zum Menü „Benutzer erstellen“ (Create User) zurückzukehren.

Max. Geschwindigkeit

- Stellen Sie mit den Tasten „Geschwindigkeit & Steigung +/-“ (Speed & Incline) die Höhe ein.
Metrisch: 0,5 ~ 16,0 ± 0,1/Angelsächsisch: 0,3 ~ 10,0 ± 0,1
- Drücken Sie auf „Eingabe/Start“ (Enter/Start), um Ihre Einstellungen zu bestätigen und zum Menü „Benutzer erstellen“ (Create User) zurückzukehren.

⚠ HINWEIS

- Die eingestellte maximale Geschwindigkeit wird als maximale Laufbandgeschwindigkeit verwendet, sowohl im manuellen als auch im Programmprofilmodus.

Garantie

Garantiebedingungen

Der Käufer ist berechtigt die den Handel mit Konsumgütern betreffenden gesetzlichen Rechte gemäß der nationalen Gesetzgebung in Anwendung zu bringen. Diese Rechte werden durch die Garantie nicht eingeschränkt. Bedingungen zu ersetzen. Die Eigentümer-Garantie gilt nur dann, wenn das Gerät in einer für entsprechende Geräte der Tunturi New Fitness BV zugelassenen Anwendungsumgebung verwendet wird. Die für das Gerät zugelassene Anwendungsumgebung wird in der Bedienungsanleitung des Geräts genannt.

Garantiedauer

Die Garantie gilt ab Kaufdatum. Die Garantiedauer kann sich je nach Land unterscheiden. Bitte wenden Sie sich an Ihren zuständigen Händler, um die Garantiedauer zu erfahren.

Garantieumfang

Unter keinen Umständen haften die Tunturi New Fitness BV oder der Tunturi-Vertragshändler für dem Käufer möglicherweise zugefügte indirekte Schäden wie Gebrauchsbeeinträchtigung oder Einkommensverlust oder anderen wirtschaftlichen Folgeschäden.

Einschränkungen der Garantie

Die Garantie deckt durch Herstellung oder Material hervorgerufene Fehler des Fitnessgeräts in dessen ursprünglicher Zusammensetzung. Unter Voraussetzung, dass die Aufbau-, Pflege- und Gebrauchsanweisungen von Tunturi befolgt wurden, erstreckt sich die Garantie auf solche Fehler, die bei normaler und einem dem Gerät beiliegenden Anleitungsbuch entsprechender Benutzung auftreten können. Die Tunturi New Fitness BV und der Tunturi-Vertragshändler haften nicht für Fehler, die durch Faktoren außerhalb ihrer Einflussmöglichkeiten hervorgerufen wurden. Die Garantie gilt nur für den ursprünglichen Eigentümer und nur in den Ländern, in denen es einen von der Tunturi New Fitness BV autorisierten Importeur gibt. Die Garantie gilt nicht für solche Fitnessgeräte oder Teile, an denen ohne Zustimmung der Tunturi New Fitness BV Veränderungen vorgenommen worden sind. Die Garantie betrifft auch nicht solche Schäden, die durch natürlichen Verschleiß, fehlerhaften Gebrauch, Benutzung unter für das Gerät nicht vorgesehenen Umständen, Korrosion, Verladung oder Transport hervorgerufen wurden.

Ersatzleistungen aufgrund von Geräuschen, die beim Einsatz des Geräts auftreten, sind von der Garantie ausgeschlossen, sofern diese Geräusche den Gebrauch des Geräts nicht wesentlich beeinträchtigen und nicht durch einen Gerätefehler bedingt sind.

Die Garantie beinhaltet keine Wartungsmaßnahmen, wie Reinigung, Schmieren oder normales Kontrollieren der Teile, auch nicht solche Aufbaumaßnahmen, die der Kunde selbst ausführen kann und die kein spezielles Auseinander- oder Zusammenbauen des Fitnessgeräts erfordern. Zu solchen Maßnahmen gehört beispielsweise das Austauschen von Cockpits, Pedalen oder anderer entsprechender einfacher Teile. Andere als die durch einen autorisierten Tunturi-Vertreter ausgeführten Garantieleistungen werden nicht ersetzt. Durch unsachgemäße, d.h. nicht der Bedienungsanleitung entsprechenden, Bedienung, verfällt jedweder Garantieanspruch.

Reinigung und Wartung

⚠️ WARNUNG

- Ziehen Sie vor der Reinigung und Wartung den Netzstecker aus der Wandsteckdose.
 - Verwenden Sie zur Reinigung des Geräts keine Lösungsmittel.
- Blockieren Sie nicht die Belüftungsöffnungen. Halten Sie die Belüftungsöffnungen frei von Staub, Schmutz und anderen Hindernissen.
 - Reinigen Sie das Gerät nach dem Gebrauch mit einem weichen aufnahmefähigen Lappen.
 - Reinigen Sie die sichtbaren Teile des Geräts mit einem Staubsauger mit kleiner Saugdüse.
 - Prüfen Sie regelmäßig, ob alle Schrauben und Muttern fest sind.

Gurt und Lauffläche

Ihr Laufband hat ein sehr hocheffizientes reibungsarmes Band. Die Leistung wird erhöht, wenn die Lauffläche so sauber wie möglich ist. Verwenden ein weiches, feuchtes Tuch oder Papier, um die Ecken des Gurts und den Bereich zwischen Gurt und Rahmen zu reinigen. Reichen Sie dabei auch soweit wie möglich unter die Bänder. Dies sollten Sie einmal im Monat tun, um die Lebensdauer der Lauffläche zu erhalten. Verwenden Sie nur Wasser - keine Reinigungs- oder Scheuermittel. Ein milde Seifenlösung mit einem Nylonscheuerschwamm kann verwendet werden, um die Oberfläche des Stoffbands zu reinigen. Das Band sollte vor der Nutzung getrocknet sein.

Schmierung (Abb. F-4)

Das Laufband muss regelmäßig auf gute Schmierung geprüft werden. Daher wird die Treadmill mit einer Erinnerungsfunktion (alle 300 Stunden) geliefert. Das Fenster „TIME“ zeigt „OIL“ an und es ertönt ein Piepton im 10-Sekundentakt, um Sie an die Prüfung zu erinnern. Folgen Sie dem Ablauf zur Prüfung und löschen Sie die „OIL“-Mitteilung und das Tonsignal, indem Sie die Taste „STOP“ mindestens 3 Sekunden lang gedrückt halten, während das Signal ausgegeben wird.

⚠️ WARNUNG

- Ziehen Sie vor der Schmierung den Netzstecker aus der Wandsteckdose.

⚠️ VORSICHT

- Wir empfehlen, die Laufmatten-Schmierung mindestens einmal im Monat zu überprüfen da die Schmierungsbedingungen von mehreren Faktoren beeinflusst werden können.
- Schmieren Sie das Laufband nur, wenn dies erforderlich ist. Wird zu viel Schmiermittel aufgetragen, kann das Laufband aufgrund mangelnder Reibung leicht durchrutschen.

- Stellen Sie sich ruhig auf das Laufband.
- Halten Sie sich am vorderen Handgriff fest und schieben Sie das Laufband mit Ihren Füßen nach vorne und hinten. Das Laufband muss sich geschmeidig und gleichmäßig ohne Geräusentwicklung bewegen.
- Falls sich das Laufband nicht geschmeidig und gleichmäßig bewegt, oder falls es sich überhaupt nicht bewegt, fassen Sie mit den Fingerspitzen an die Unterseite des Laufbandes, um die Schmierung zu kontrollieren:
 - Falls Sie Schmiermittel fühlen können oder falls Ihre Fingerspitzen glänzen, ist genügend Schmierung am Laufband vorhanden.
 - Falls Sie kein Schmiermittel mit Ihren Fingerspitzen fühlen können oder falls die Fingerspitzen staubig und rau sind, tragen Sie Schmiermittel (15-20 ml) in der Mitte des Laufwerks unter dem Laufband auf und lassen Sie das Gerät mit ca. 5 km/h mindestens 5 Minuten lang laufen.
 - Klappen Sie das Gerät nach der Schmierung erst zusammen, wenn Sie ca. 20 Minuten lang bei einer Geschwindigkeit von mindestens 5 km/h ein Training durchgeführt haben. Das Schmiermittel verteilt sich gleichmäßig über das Laufband.

Bandstaub

Dies kommt bei normalem Einlaufen oder bei der Bandstabilisierung vor. Wischen Sie ihn mit einem feuchten Tuch auf.

Allgemeine Reinigung

Dreck, Staub und Tierhaare können die Ventilation verstopfen und sich auf dem Band sammeln. Monatlich: Unter dem Laufband staubsaugen. Zweimal im Jahr sollte die schwarz Motorabdeckung entfernt und gesaugt werden. VOR DER REINIGUNG STROMKABEL ABZIEHEN.

Gurteinstellungen

Die Einstellung wird an der hinteren Rolle vorgenommen. Die Einstellungsschrauben befinden sich am Ende der Schienen in den Endkappen.

- Ziehen Sie die hinteren Rollenschrauben (im Uhrzeigersinn) soweit fest, dass ein Abrutschen von der vorderen Rolle verhindert wird. Drehen Sie beide Laufband-Zugspannung-Einstellungsschrauben stufenweise um 1/4-Umdrehung und überprüfen Sie jeweils die Zugspannung, indem Sie bei geringer Geschwindigkeit auf dem Band laufen. Das Band sollte nicht verrutschen. Ziehen Sie die Schrauben soweit an, dass das Band nicht mehr verrutscht.
- Wenn Sie das Gefühl haben, dass das Band genügend gespannt ist, aber immer noch verrutscht, könnte die Ursache ein loses Motorantriebsband unter der vorderen Abdeckung sein.
- Nicht Überspannen
Eine Überspannung führt zu Schäden am Band und vorzeitigem Verschleiß der Lager.

Laufrad-spureinstellung:

Die Leistung Ihres Laufbands hängt davon ab, dass es auf einer geraden Oberfläche läuft. Wenn der Rahmen nicht gerade ist, können die vorderen und hinteren Rollen nicht parallel laufen und das Band muss immer nachgestellt werden.

Das Laufband wurde so entwickelt, dass das Band immer in der Mitte läuft. Bei einigen Bändern ist es normal, dass das Band zu einer Seite zieht, wenn keine Person darauf läuft. Nach ein paar Minuten der Nutzung sollte sich das Band von alleine zentriert haben. Wenn der Gurt bei der Nutzung zu einer Seite zieht, muss dies eingestellt werden.

AUSNAHME:

In der Reha, bei der Benutzer ein Bein stärker belasten als das andere, kann es vorkommen, dass das Band zu einer Seite zieht. In diesen Fällen sollten Sie das Band nicht einstellen, es sei denn, das Band verläuft bei normaler Nutzung nicht mehr zentral.

Einstellung der laufbandspur (Abb. F-5)

Für die hintere Rolle wird ein 10 mm-Inbusschlüssel benötigt. Spureinstellungen müssen von der linken Seite erfolgen. Stellen Sie die Bandgeschwindigkeit auf etwa 3 bis 5 km/h ein.

Denken Sie daran, dass eine kleine Änderung große Folgen haben kann!

Drehen Sie die Schraube im Uhrzeigersinn, um das Band nach rechts zu ziehen. Drehen Sie gegen den Uhrzeigersinn, zieht das Band nach links. Drehen Sie die Schraube nur etwa 1/4 Umdrehung und warten Sie ein paar Minuten, bis sich das Band selbst nachführt. Machen Sie eine weitere 1/4-Umdrehung, bis sich das Band in der Mitte der Lauffläche stabilisiert.

Das Band muss möglicherweise regelmäßig nachgestellt werden, je nach Nutzungs- und Laufverhalten. Verschiedene Benutzer wirken unterschiedlich auf das Band. Sie müssen das Band so einstellen, dass es in der Mitte der Fläche verläuft. Die Einstellungen werden im Laufe der Nutzung weniger aufwändig. Eine richtige Bandspurführung liegt in der Verantwortung des Besitzers.

HINWEIS

- Schäden am laufband durch fehlerhafte spur-/ zugeinstellungen, sind nicht von der garantie abgedeckt.

Betriebs- störungen

Trotz kontinuierlicher Qualitätsüberwachung können vereinzelt an den Geräten durch einzelne Komponenten verursachte Funktionsstörungen auftreten. Dabei ist es nicht angebracht, das ganze Gerät zur Reparatur zu bringen, da der Fehler meistens durch Austauschen der defekten Komponente behoben werden kann.

Wenn das Gerät während des Gebrauchs nicht einwandfrei funktioniert, wenden Sie sich bitte umgehend an die für Sie zuständige Tunturi- Alleinvertretung. Beschreiben Sie das Problem, die Einsatzbedingungen und teilen Sie das Kaufdatum und die Typenbezeichnung und die Seriennummer Ihres Gerätes mit.

Wenden Sie sich an Ihre nationale Tunturi-Vertretung, wenn Sie Ersatzteile benötigen. Beschreiben Sie die Einsatzbedingungen und teilen Sie das Kaufdatum und die Seriennummer des Gerätes mit. Die Ersatzteilnummern finden Sie in der Liste am Ende dieser Anweisung. Nur Teile in der Ersatzteilliste dürfen verwendet werden.

Fehlercodes

Falls in der Anzeige ein Fehlercode erscheint (durch "E" + Nummer erkennbar), starten Sie das Gerät neu und prüfen Sie, ob in der Anzeige der Fehlercode immer noch steht. Falls in der Anzeige der Fehlercode immer noch steht, wenden Sie sich unverzüglich an Ihren Händler.

-

Transport und Lagerung

⚠️ WARNUNG

- Ziehen Sie vor der Reinigung und Wartung den Netzstecker aus der Wandsteckdose.
- Tragen und bewegen Sie das Gerät mit mindestens zwei Personen.
- Vergewissern Sie sich, dass sich keine Personen oder Gegenstände unter dem Gerät befinden.
- Vergewissern Sie sich beim Zusammenklappen des Geräts, dass Sie hören, wie das Gerät in seiner Position arretiert, um zu verhindern, dass das Gerät zurückfällt.

⚠️ VORSICHT

- Vergewissern Sie sich vor dem Zusammenklappen des Geräts, dass die Steigung 0% beträgt. Beträgt die Steigung nicht 0%, wird der Mechanismus beim Zusammenklappen beschädigt.
- Bewegen Sie das Gerät wie angegeben (Abb. F3). Bewegen Sie das Gerät und setzen Sie es vorsichtig ab. Stellen Sie das Gerät auf eine schützende Unterlage, um Schäden am Bodenbelag zu vermeiden. Bewegen Sie das Gerät vorsichtig über unebene Böden. Bewegen Sie das Gerät nicht auf den Rädern Treppen herauf, sondern tragen Sie es an den Handgriffen.
- Lagern Sie das Gerät in aufrechter Position (Abb. F1). Lagern Sie das Gerät an einem trockenen Ort mit möglichst wenig Temperaturschwankungen.

Zusätzliche Informationen

Verpackungsentsorgung

Staatliche Vorschriften sagen, dass wir die in Deponien entsorgen Abfallmengen verringern sollen. Daher bitten wir Sie, den gesamten Verpackungsabfall an öffentlichen Recyclingstellen abzugeben

Entsorgung am ende der Lebensdauer

Wir bei Tunturi hoffen, dass Sie Ihren Fitnesstrainer viele Jahre mit Freude nutzen werden. Jedoch wird irgendwann die Zeit kommen, wenn die Ende der Nutzungsdauer des Fitnesstrainers erreicht ist. Gemäß den europäischen WEEE-Gesetzen sind Sie für eine geeignete Entsorgung des Fitnesstrainers bei einer anerkannten öffentlichen Entsorgungsstelle verantwortlich.

Technische Daten

Parameter	Maßeinheit	Wert
Netzspannung	VAC	210 ~ 240
Netzfrequenz	HZ	50 ~ 60
Motor	PS	2.5 5.5 Max.
Geschwindigkeit	Km/H	0.5 ~ 16.0
Geschwindigkeit	Mph	0.3 ~ 10.0
Steigung	Schritt	0 ~ 15
Länge (zusammengeklappt)	Cm	193.0 (137.0)
Länge (zusammengeklappt)	Inch	76.0 (53.9)
Breite	Cm	82.5
Breite	Inch	32.5
Höhe (zusammengeklappt)	Cm	149.0 (155.0)
Höhe (zusammengeklappt)	Inch	58.7 (61.0)
Gewicht	Kg	117.0
Gewicht	Lbs	257.9
Max. Benutzergewicht	Kb	150
Max. Benutzergewicht	Lbs	330
HR-Empfänger	Khz	5.3 Khz

Herstellereklärung

Tunturi New Fitness BV erklärt hiermit, dass das Produkt folgenden Normen und Richtlinien entspricht: EN 957 (HA), 89/336/EWG. Das Produkt trägt daher das CE-Kennzeichen.

12-2019

Tunturi New Fitness BV
Purmerweg 1
1311 XE Almere
The Netherlands

Haftungsausschluss

© 2019 Tunturi New Fitness BV
Alle Rechte vorbehalten.

Produkt und Handbuch können geändert werden. Die technischen Daten können ohne Vorankündigung geändert werden.

[Check our website for the latest user manual version.](#)

Français

Ce manuel français est une traduction de la version anglaise. Notez que la version anglaise est en tête dans le contenu lorsque des différences sont trouvées.

Indice

Tapis de course	40
Avertissements de sécurité	40
Sécurité électrique	40
Instructions de montage	41
Description (fig. A)	41
Contenu de l'emballage (fig. B&C)	41
Assemblage (fig. D)	41
Accessoires (fig. H)	41
Exercices	41
Instructions d'entraînement	41
Fréquence cardiaque	42
Usage	43
Interface de l'utilisateur (fig. E-1)	43
Boutons	43
Explication des éléments d'affichage (Fig. H)	44
Fonction USB.....	44
Menu Programs (Programmes).....	44
Quick start (Démarrage rapide).....	44
Interrompre/terminer votre entraînement.....	45
Target heart rate (Fréquence cardiaque cible)	45
Manual (Manuel)	45
Preset Programs (Programmes prédéfinis)	46
Own Trainings (Mes entraînements).....	46
Fitness test (Test d'aptitude physique).....	46
T-Road	47
Mode Bluetooth	47
User (Utilisateur)	47
User Log (Journal utilisateur)	47
User Setting (Réglages utilisateur)	47
User Setting (Réglages utilisateur)	48
Delete User (Supprimer un utilisateur)	48
Change User (Changer d'utilisateur)	48
Create User (Créer un utilisateur)	48
Garantie.....	49
Nettoyage et maintenance	49
Tapis et surface	49
Lubrification (fig. F-4)	49
Defaults de fonctionnement	50
Codes d'erreur	50
Transport et rangement	50
Informations supplémentaires.....	50
Données techniques	51
Déclaration du fabricant	51
Limite de responsabilité	51

Tapis de course

Bienvenue dans l'univers de Tunturi Fitness !
 Merci pour votre achat de cet élément d'équipement Tunturi. Tunturi offre toute une gamme d'équipements de fitness professionnels, notamment des vélos elliptiques, tapis de course, vélos d'appartement, rameurs et accessoires. Les équipements Tunturi sont parfaits pour toute la famille, quel que soit le niveau de forme de ses membres. Pour en savoir plus, visitez notre site Web www.tunturi.com

Consignes de sécurité importantes

Lisez attentivement ce mode d'emploi avant d'assembler, d'utiliser ou d'effectuer l'entretien de votre appareil sportif. Veuillez conserver ce guide, il contient les renseignements dont vous aurez besoin, maintenant et plus tard, pour utiliser et entretenir votre appareil. Suivez toujours les instructions très rigoureusement.

Avertissements de sécurité

⚠ AVERTISSEMENT

- Lisez les avertissements de sécurité et les instructions. Le non respect des avertissements de sécurité et des instructions est une source de blessure et de dégâts de l'équipement. Conservez les avertissements de sécurité et les instructions pour référence ultérieure.

⚠ AVERTISSEMENT

- Les systèmes de suivi de la fréquence cardiaque peuvent être inexacts. Un exercice excessif peut entraîner des blessures graves voire mortelles. Si vous vous sentez défaillir, interrompez immédiatement l'exercice.
- L'équipement est adapté à un usage domestique et professionnel uniquement (par ex. hôpitaux, caserne de pompiers, hôtels, écoles, etc.). La durée d'utilisation maximum est limitée à 6 heures par jour. L'équipement n'est pas adapté à un usage commercial complet (par ex. grands centres de gym).
- L'emploi de cet équipement par des enfants ou des personnes affectés d'un handicap physique, sensoriel, mental ou moteur, voire dont l'expérience ou les connaissances s'avèrent insuffisantes est une source de risques. Les personnes chargées de leur sécurité doivent leur fournir des instructions explicites ou superviser leur usage de l'équipement.
- Avant de commencer vos exercices, effectuez un bilan de santé auprès d'un médecin.
- Si vous êtes pris de nausées ou de vertiges ou sentez d'autres symptômes normaux pendant l'entraînement, interrompez immédiatement la session et consultez votre médecin.
- Afin d'éviter toutes douleurs et tensions musculaires, commencez vos séances par des échauffements et terminez-les par une récupération. N'oubliez pas de vous étirer après vos exercices.
- L'équipement est uniquement adapté à un usage intérieur. L'équipement ne convient pas à un usage extérieur.
- Utilisez l'équipement uniquement dans des environnements correctement ventilés. N'utilisez pas l'équipement dans des endroits exposés aux courants d'air afin de ne pas vous enrhumier.
- Utilisez l'équipement uniquement à une température ambiante entre 10 °C~35 °C. Rangez l'équipement uniquement à une température ambiante entre 5 °C~45 °C.
- N'utilisez et ne rangez pas l'équipement dans un environnement humide. L'humidité de l'air ne doit jamais dépasser 80 %.
- Utilisez l'équipement uniquement pour son usage prévu. N'utilisez pas l'équipement pour d'autres usages que ceux décrits dans le manuel.
- N'utilisez pas l'équipement si l'une de ses pièces est endommagée ou défectueuse. Si une pièce est endommagée ou défectueuse, contactez votre revendeur.
- Maintenez vos mains, vos pieds et les autres parties de votre corps à l'écart des pièces mobiles.
- Maintenez votre chevelure à l'écart des pièces mobiles.
- Portez des vêtements et des chaussures adaptés.
- Maintenez les vêtements, bijoux et autres objets à l'écart des pièces mobiles.
- Assurez-vous qu'une seule personne utilise l'équipement à la fois. L'équipement ne doit pas être utilisé par des personnes pesant plus de 150 kg (330 lbs).
- N'ouvrez pas l'équipement sans consulter votre revendeur.

Sécurité électrique

(Uniquement pour les équipements à alimentation électrique)

- Avant usage, assurez-vous toujours que la tension secteur est identique à celle de la plaque signalétique de l'équipement.
- N'utilisez pas de rallonge.
- Maintenez le câble secteur à l'écart de la chaleur, de l'huile et des bords coupants.

- N'altérez et ne modifiez aucunement le câble secteur ou la fiche secteur.
- N'utilisez pas l'équipement si le câble secteur ou la fiche secteur est endommagé ou défectueux. Si le câble secteur ou la fiche secteur est endommagé ou défectueux, contactez votre revendeur.
- Déroulez toujours complètement le câble secteur.
- Ne passez pas le câble secteur sous l'équipement. Ne passez pas le câble secteur sous un tapis. Ne placez aucun objet sur le câble secteur.
- Assurez-vous que le câble secteur ne pend pas sur le bord d'une table. Assurez-vous que le câble secteur ne peut pas être happé par accident ou faire trébucher.
- Ne laissez pas l'équipement sans surveillance si la fiche secteur est insérée dans la prise murale.
- Ne tirez pas sur le câble secteur pour retirer la fiche secteur de la prise murale.
- Retirez la fiche secteur de la prise murale lorsque l'équipement n'est pas utilisé, avant l'assemblage et le démontage et avant le nettoyage et la maintenance.

⚠ AVERTISSEMENT

- Une variation de tension d'au moins dix pour cent (10 %) peut avoir une incidence sur les performances du tapis de course. De telles conditions ne sont pas couvertes par votre garantie. Si vous avez l'impression que la tension est trop basse, vous devez contacter votre compagnie d'électricité ou un électricien qualifié pour tester le circuit électrique.

⚠ AVERTISSEMENT

- NE JAMAIS utiliser une prise murale équipée d'un interrupteur différentiel (RCD - Residual Current Device – version U.S. = GFCI) avec ce tapis de course. Comme avec n'importe quel appareil équipé d'un moteur puissant, le dispositif RCD / GFCI se déclenche souvent. Éloignez de câble d'alimentation de toute pièce mobile du tapis de course, y compris du mécanisme d'inclinaison et des roulettes destinées au transport.

Instructions de mise à la terre

Ce produit doit être mis à la terre. Si le système électrique du tapis de course présente une défaillance ou une panne, sa mise à la terre fournit un chemin de moindre résistance au courant électrique, réduisant ainsi le risque de décharge électrique. Ce produit est équipé d'un câble pourvu d'une fiche de terre. Cette fiche doit être branchée dans une prise appropriée, correctement installée et mise à la terre conformément aux normes et règlements locaux.

⚠ AVERTISSEMENT

- Un branchement inadéquat du conducteur de terre peut entraîner des risques de décharge électrique. Veuillez consulter un électricien qualifié si vous avez des doutes sur la mise à la terre du produit selon les règles. Ne modifiez pas la fiche fournie avec le produit lorsqu'elle n'entre pas dans la prise ; faites installer une prise adéquate par un électricien qualifié.

Instructions de montage

Description (fig. A)

Votre tapis de course est un élément d'équipement de fitness stationnaire servant à imuler la marche ou la course sans exercer de pression excessive sur les jointures.

Contenu de l'emballage (fig. B&C)

- L'emballage contient les pièces illustrées en fig. B.
- L'emballage contient les fixations illustrées en fig. C. Voir la section "Description".

🔧 NOTE

- Si une pièce manque, contactez votre revendeur.

Assemblage (fig. D)

⚠ AVERTISSEMENT

- Assemblez l'équipement dans l'ordre indiqué.
- Deux personnes au moins sont nécessaires pour transporter et déplacer l'équipement.

⚠ PRÉCAUTION

- Placez l'équipement sur une surface plane et ferme.
- Placez l'équipement sur une base protectrice pour éviter d'endommager la surface du sol.
- Prévoyez un dégagement d'au moins 100 cm autour de l'équipement.

- Consultez les illustrations pour l'assemblage correct de l'équipement.

Accessoires (fig. H)

🔧 REMARQUE

- L'illustration montrée montre à quoi le formateur ressemblera avec les mains courantes étendues appropriées.
- Les mains courantes supplémentaires peuvent être achetées en tant qu'accessoires.
- Article nr: 19TRNRH000

Contactez votre revendeur pour plus d'informations.

Exercices

Un exercice doit être suffisamment léger mais prolongé. L'exercice aérobique repose sur l'amélioration de l'absorption maximum d'oxygène par le corps, améliorant à son tour l'endurance et la forme. Vous devez transpirer mais sans jamais être à bout de souffle durant l'exercice.

Pour atteindre et entretenir un niveau de forme basique, exercez-vous au moins 3 fois par semaine, par session de 30 minutes. Accroissez le nombre des sessions d'exercice pour améliorer votre niveau de forme. Il est profitable de combiner un exercice régulier et un régime sain. Une personne suivant un régime doit s'exercer au quotidien, au début 30 minutes ou moins pour chaque session afin d'accroître ensuite progressivement le temps d'exercice quotidien pour atteindre une heure. Commencez vos exercices à une vitesse lente et avec une faible résistance pour éviter de soumettre le système cardiovasculaire à une contrainte excessive. À mesure de l'amélioration de votre forme, accroissez progressivement la vitesse et la résistance. L'efficacité de votre exercice est mesurable en suivant votre fréquence cardiaque et votre pouls.

Instructions d'entraînement

L'utilisation de votre appareil de fitness vous procurera plusieurs avantages : il vous permettra d'améliorer votre forme physique, de tonifier vos muscles et, associé à un régime hypocalorique, de perdre du poids.

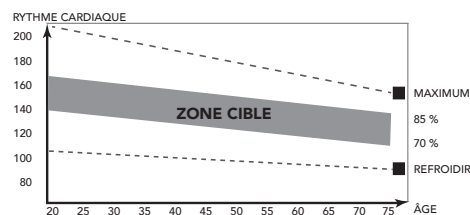
Phase d'échauffement

Cette étape favorise la circulation du sang dans tout le corps et le bon fonctionnement des muscles. Elle réduit également le risque de crampes et de lésions musculaires. Il est conseillé de faire quelques exercices d'étirement, comme ceux qui sont indiqués ci-dessous. Chaque étirement doit être maintenu pendant environ 30 secondes. Ne forcez pas ou n'étirez pas excessivement un muscle. Si vous sentez qu'une position vous fait mal, ARRÊTEZ.

Phase d'exercice

C'est l'étape principale de votre entraînement. Après une utilisation régulière de l'appareil, vous sentirez que les muscles de vos jambes ont gagné en souplesse. Il est très important de maintenir un rythme régulier tout au long de la séance. Le rythme de travail doit être

suffisant pour faire monter votre rythme cardiaque dans la zone cible indiquée sur le graphique ci-dessous.



Cette étape doit durer au moins 12 minutes, bien que l'on commence généralement à environ 15-20 minutes.

Phase de refroidissement

Cette étape a pour objectif de laisser votre système cardiovasculaire et vos muscles reprendre leur rythme normal. Il s'agit d'une répétition de l'exercice d'échauffement. Baissez le rythme et continuez pendant environ 5 minutes. Vous devez ensuite refaire les exercices d'étirement et souvenez-vous de ne pas forcer ou trop étirer un muscle dans une certaine position.

À mesure que vous améliorerez votre forme, vous ressentirez peut-être le besoin de vous entraîner plus longtemps ou de faire des entraînements plus poussés.

Il est conseillé de s'entraîner au moins trois fois par semaine et, si possible, d'espacer les séances régulièrement tout au long de la semaine.

Tonification musculaire

Pour tonifier vos muscles à l'aide de l'appareil de fitness, vous devrez sélectionner une résistance assez élevée. Les muscles de vos jambes seront davantage sollicités et vous ne pourrez peut-être pas vous entraîner aussi longtemps que vous le voudriez. Si vous souhaitez également améliorer votre forme, vous devrez modifier votre programme d'entraînement. Entraînez-vous normalement pendant les phases d'échauffement et de refroidissement, mais vers la fin de l'exercice, augmentez la résistance en faisant travailler vos jambes davantage. Vous devrez réduire la vitesse pour maintenir votre rythme cardiaque dans la zone cible.

Perte de poids

Ici, le facteur important est l'effort que vous déployez. Plus vous entraînez longtemps et de manière soutenue, plus vous brûlerez de calories. C'est en réalité le même principe que pour l'entraînement d'amélioration de la forme ; la différence est l'objectif recherché.

Fréquence cardiaque

Mesure du pouls (pulsomètres)

Le pouls est mesuré par des capteurs dans les poignées lorsque l'utilisateur touche les deux capteurs à la fois.

La mesure la plus précise du pouls nécessite une peau légèrement humide et un contact constant des pulsomètres. Si la peau est trop sèche ou humide, la mesure du pouls peut devenir moins précise.

REMARQUE

- N'utilisez pas les pulsomètres en même temps que la sangle thoracique de fréquence cardiaque.
- Si vous réglez une fréquence cardiaque limite pour votre exercice, une alarme retentit dès qu'elle est dépassée.

Mesure de la fréquence cardiaque (sangle thoracique de fréquence cardiaque)

NOTE

- Une sangle de poitrine ne vient pas standard avec cet entraîneur. Lorsque vous souhaitez utiliser une sangle de poitrine sans fil, vous devez l'acheter en tant qu'accessoire.

La sangle thoracique de fréquence cardiaque assure la mesure de fréquence cardiaque la plus précise. La fréquence cardiaque est mesurée par un récepteur combiné à la sangle thoracique de

fréquence cardiaque. Une mesure précise de la fréquence cardiaque nécessite des électrodes de sangle émettrice légèrement humides et en contact constant avec la peau. Si les électrodes sont trop sèches ou humides, la mesure de la fréquence cardiaque peut devenir moins précise.

AVERTISSEMENT

- Si vous portez un stimulateur cardiaque, consultez votre médecin avant d'utiliser une sangle thoracique de fréquence cardiaque.

PRÉCAUTION

- Si plusieurs dispositifs de mesure de la fréquence cardiaque sont proches les uns des autres, assurez-vous qu'ils sont au moins distants de 2 mètres.
- En présence d'un récepteur unique de fréquence cardiaque pour plusieurs émetteurs, assurez-vous qu'une seule personne avec un émetteur est à portée de transmission.

NOTE

- N'utilisez pas les pulsomètres en même temps que la sangle thoracique de fréquence cardiaque.
- Portez toujours la sangle thoracique de fréquence cardiaque sous vos vêtements, en contact direct avec votre peau. Ne portez pas votre sangle thoracique de fréquence cardiaque par-dessus vos vêtements. Si vous portez la sangle thoracique de fréquence cardiaque sur vos vêtements, il n'y a pas de signal.
- Si vous réglez une fréquence cardiaque limite pour votre exercice, une alarme retentit dès qu'elle est dépassée.
- L'émetteur transmet la fréquence cardiaque à une console jusqu'à une distance de 1,5 mètre. Si les électrodes ne sont pas suffisamment mouillées, votre fréquence cardiaque ne s'affiche pas.
- Certaines fibres des vêtements (par ex. polyester, polyamide) créent de l'électricité statique qui peut empêcher la mesure précise de la fréquence cardiaque.
- Les téléphones portables, télévisions et autres appareils électriques créent un champ électromagnétique susceptible d'empêcher une mesure précise de la fréquence cardiaque.

Fréquence cardiaque maximum (durant l'exercice)

La fréquence cardiaque maximum est la fréquence la plus élevée qu'une personne peut atteindre en toute sécurité sous la contrainte de l'exercice. La formule suivante sert à calculer la fréquence cardiaque maximum moyenne : $220 - \text{ÂGE}$. La fréquence cardiaque maximum varie d'une personne à l'autre.

AVERTISSEMENT

- Assurez-vous de ne pas dépasser votre fréquence cardiaque maximum durant l'exercice. Si vous appartenez à un groupe à risque, consultez un médecin.

Débutant

50-60% de fréquence cardiaque maximum

Adapté aux débutants, aux personnes suivant leur poids, aux convalescents et aux personnes ne s'exerçant pas depuis un certain temps. Exercez-vous au moins trois fois par semaine, par session de 30 minutes.

Avancé

60-70% de fréquence cardiaque maximum

Adapté aux personnes souhaitant améliorer et entretenir leur forme. Exercez-vous au moins trois fois par semaine, par session de 30 minutes.

Expert

70-80% de fréquence cardiaque maximum

Adapté aux personnes les plus en forme, habituées aux exercices d'endurance prolongés.

Usage

Interrupteur d'alimentation principale (fig. E-2A)

L'équipement comporte un interrupteur d'alimentation principale pour le mettre complètement hors tension.

Démarrage de l'équipement:

- Insérez la fiche secteur dans l'équipement.
- Insérez la fiche secteur dans la prise murale.
- Positionnez l'interrupteur d'alimentation principale sur marche (ON).

The console application will start loading in the following order:

Stage 1: "Tunturi" logo is display for a few seconds.

Stage 2: "Loading..." is blinking in display.

Stage 3: 3 Acoustic beeps will be heard.

The main menu will open in where "Quick start" is selected as default. Trainer is now ready for use.

Arrêt de l'équipement :

- Positionnez l'interrupteur d'alimentation principale sur arrêt (OFF).
- Retirez la fiche secteur de la prise murale.
- Retirez la fiche secteur de l'équipement.

NOTE

- Avoid switching off the equipment when there is a data saving activity, to avoid data to be lost.

Clé de sécurité (Fig F-4)

L'équipement comporte une clé de sécurité qui doit être correctement insérée dans la console pour démarrer l'équipement. Si vous retirez la clé de sécurité de la console, l'équipement s'arrête immédiatement.

- Insérez la clé de sécurité dans la fente de la console.
 - Assurez-vous que le clip de la clé de sécurité est bien fixé à vos vêtements.
- Assurez-vous que le clip n'est pas retiré de vos vêtements avant que la clé de sécurité ne soit retirée de la console.

REMARQUE

- La console affichera le code «s'il vous plait revenir clé de sécurité» lorsque la clé de sécurité n'est pas en position pendant le démarrage.

Disjoncteur (Fig. E-2B)

L'équipement comporte un disjoncteur qui coupe le circuit d'alimentation si la charge électrique dépasse la capacité maximum. En ce cas, vous devez appuyer sur le disjoncteur.

AVERTISSEMENT

- Avant d'appuyer sur le disjoncteur, retirez la fiche secteur de l'équipement.

Si l'équipement s'arrête, procédez comme suit pour le redémarrer :

- Retirez la fiche secteur de l'équipement.
- Appuyez sur le disjoncteur pour redémarrer l'équipement.
- Insérez la fiche secteur dans l'équipement.

REMARQUE

- Certains disjoncteurs utilisés dans des habitations ne sont pas conçus pour les appels de courant importants qui peuvent se produire lors de la mise en marche d'un tapis de course, voire pendant une utilisation normale. Si votre tapis de course déclenche le disjoncteur (même si la tension est correcte et si le tapis est le seul appareil branché sur le circuit), mais si le disjoncteur du tapis de course ne se déclenche pas, vous devez remplacer le disjoncteur par un type conçu pour des appels de courant importants. Il ne s'agit pas d'un défaut de garantie. C'est une situation qui échappe à notre contrôle en tant que fabricant.

Déplier et plier l'équipement (fig. F1-F2)

L'équipement peut être déplié pour son usage (fig. F1) puis replié pour son transport et son rangement (fig. F2).

Consultez les illustrations pour déplier et plier correctement l'équipement.

PRÉCAUTION

- Assurez-vous que l'inclinaison du tapis est de 0 avant de plier le plateau. Si l'inclinaison n'est pas de 0, le mécanisme sera endommagé lors du pliage.

Réglage des pieds de support

L'équipement comporte 4 pieds de support. Si l'équipement est instable, vous pouvez régler les pieds de support.

- Tournez les pieds de support, selon les besoins, pour placer l'équipement en position stable.
- Serrez les écrous d'arrêt pour bloquer les pieds de support.

NOTE

- La stabilité de la machine est maximisée lorsque tous les pieds de support sont complètement tournés vers l'intérieur. Vous devez donc commencer à mettre la machine de niveau en tournant tous les pieds de support vers l'intérieur avant de sortir les pieds de support requis pour stabiliser la machine

Interface de l'utilisateur (fig. E-1)

PRÉCAUTION

- Maintenez la console à l'écart de la lumière directe du soleil.
- Séchez la surface de la console dès qu'elle est couverte de gouttes de sueur.
- Ne vous appuyez pas sur la console.
- Touchez l'affichage uniquement avec le bout du doigt. Assurez-vous de ne pas toucher l'affichage avec vos ongles ou des objets coupants.

NOTE

- La console passe en mode de veille si l'équipement n'est pas utilisé pendant 4 minutes.

Boutons

Enter/ Start (Entrer/Démarrer)

- Confirmation du mode Sport
- Confirmation de l'option en mode User/Setting (Utilisateur/Réglages)
- Confirmation de l'élément de travail dans l'écran des paramètres
- Confirmation de la valeur du paramètre.
- Commutation entre bpm/profil d'inclinaison sur l'écran principal
- Commutation entre Vidéo/Profil pendant la route en T sur l'écran principal

Back/ Stop (Retour/Arrêter)

- Retour à la fenêtre précédente
- Arrêter l'entraînement actif

User/+ (scale up) (Utilisateur/ + [agrandir])

- Ouvrir le réglage de l'utilisateur.
- Augmenter l'intensité en mode entraînement.
- Appuyez une fois pour augmenter de 1 %
- Appuyez et maintenez enfoncé pour augmenter plus rapidement l'intensité.

REMARQUE

- Il n'est pas possible de déformer le profil. L'intensité préprogrammée la plus élevée est donc la limite de l'échelle.

Select/- (scale down) (Sélectionner/- [réduire])

- Commutation de l'écran d'affichage DEL.
- Réduire l'intensité en mode entraînement.
Appuyez une fois pour réduire de 1 %
Appuyez et maintenez enfoncé pour réduire plus rapidement l'intensité.

REMARQUE

- Il n'est pas possible de déformer le profil. L'intensité préprogrammée la plus faible est donc la limite de l'échelle.

Speed + (Vitesse +)

- Augmente la vitesse (0,5 ~ 16,0 km/h).
- Appuyer une fois permet d'augmenter la vitesse de 0,1 km/h.
- En appuyant et en maintenant le bouton enfoncé pendant deux secondes, la vitesse augmentera plus rapidement.
- Parcourez les programmes et changez les valeurs en mode programmation.

Speed - (Vitesse -)

- Diminue la vitesse (0,5 ~ 16,0 km/h).
- Appuyer une fois permet de diminuer la vitesse de 0,1 km/h.
- En appuyant et en maintenant le bouton enfoncé pendant deux secondes, la vitesse diminuera plus rapidement.
- Parcourez les programmes et changez les valeurs en mode programmation.

Touches de raccourci du contrôle de la vitesse :

Les touches de raccourci de vitesse sont : 6, 9, 12. (Métrique 3,7/5,6/7,5)

Par exemple, la vitesse passera de n'importe quelle vitesse à 9 km/h si l'utilisateur appuie sur la touche de raccourci de vitesse 9.

Touches d'accès rapide de vitesse sur le guidon :

- + : Identique à Speed +.
- - : Identique à Speed -.

Incline control + (Contrôle de la pente +)

- Augmente l'inclinaison (0 ~ 15 +1).
- Parcourez les programmes et changez les valeurs en mode programmation.

Incline control - (Contrôle de la pente -)

- Diminue l'inclinaison (0 ~ 15 -1)
- Parcourez les programmes et changez les valeurs en mode programmation.

Touches de raccourci du contrôle de l'inclinaison.

Les touches de raccourci d'inclinaison sont : 0, 5, 10.

Par exemple, le niveau d'inclinaison passera de n'importe quel niveau à 5 si l'utilisateur appuie sur la touche de raccourci d'inclinaison 5.

Touches d'accès rapide d'inclinaison sur le guidon :

- + : Identique à Incline +.
- - : Identique à Incline -.

Explication des éléments d'affichage (Fig. H)

Speed (Vitesse)

- Montre la vraie vitesse du tapis de course en mode entraînement.

Incline (Pente)

- Montre la vraie inclinaison du tapis de course en mode entraînement.

Distance

- Montre la distance courue en mode entraînement.
- Montre la distance qu'il reste à courir en mode entraînement avec décompte.

Time (Durée)

- Montre la durée courue en mode entraînement.
- Montre la durée qu'il reste à courir en mode entraînement avec décompte.

Step (Pas)

- Indique le nombre de pas que vous avez parcourus pendant votre entraînement.

Heart (Rythme cardiaque)

- Montre le rythme cardiaque en mode entraînement, ou « P » lorsqu'aucun rythme cardiaque n'est mesuré.

Calories/Energy (Calories/ Énergie)

- Montre les calories brûlées en mode entraînement.
- Montre les calories qu'il reste à brûler en mode entraînement avec décompte.

REMARQUE

- Ces données sont fournies à titre indicatif pour comparer différentes séances d'entraînement. Elles ne doivent pas être utilisées dans le cadre d'un traitement médical.

REMARQUE

- Toutes les 5 secondes, l'affichage DEL alterne entre Temps/Pas, Fréquence cardiaque/Pente et Calories/Distance.

Affichage du profil général

- La ligne du bas, de gauche à droite, indique le temps en minutes entre 0 et 30. Elle est mise à jour toutes les 15 minutes pendant l'entraînement.
- La barre latérale de gauche, de haut en bas, affiche la valeur de la pente ou bpm pendant l'entraînement. Appuyez sur le bouton « Enter/Start » (Démarrer/Arrêter) pour basculer entre la pente et les bpm. (La pente est indiquée en bleu/les bpm en rouge).
- La barre latérale droite, de haut en bas, indique la valeur de la vitesse.
- La ligne pointillée blanche représente la position en cours, qui se déplace vers la droite à mesure que la durée de l'entraînement augmente. L'écran d'entraînement peut afficher les données d'une séance de 5 heures au maximum.
- La courbe orange affiche le rythme cardiaque réel de l'utilisateur qui varie à mesure que la fréquence cardiaque augmente ou diminue.

Fonction USB

Le port USB ne peut être utilisé que pour des raisons de maintenance, par exemple pour effectuer une mise à jour logicielle via une clé USB.

REMARQUE

- Si votre appareil fonctionne bien et qu'il n'y a aucune raison de douter de la fonctionnalité du logiciel, nous vous recommandons de ne pas le changer, à moins que de nouvelles fonctionnalités ne soient disponibles.
- Avant de mettre à jour le logiciel, contactez toujours votre centre de service pour recevoir la version adaptée et récente du fichier de mise à jour du logiciel.

Menu Programs (Programmes)

Quick start (Démarrage rapide)

- Utilisez les boutons « Speed & Incline + / - » (Vitesse et Pente +/-) pour naviguer dans le menu principal et sélectionnez « Quick start » (Démarrage rapide).
- Appuyez sur « Enter/Start » (Entrer/Démarrer) pour confirmer et démarrer le compte à rebours de 3 secondes afin d'activer le mode de démarrage rapide.
- L'appareil démarrera à la vitesse minimale, sans aucun autre réglage...

Pendant le mode entraînement

- À l'aide des touches « Speed control » (Contrôle de la vitesse), vous pouvez à tout moment adapter la vitesse à vos besoins.
- À tout moment, les touches « Incline Control » (Contrôle de la pente) vous permettent d'adapter l'inclinaison à vos besoins.

Interrompre/terminer votre entraînement

Appuyez sur le bouton « Back/Stop » (Retour/Arrêter) à tout moment pour arrêter votre entraînement actif. L'appareil passera en pause et l'écran vous donnera 3 options. Utilisez « Speed & Incline + / - » (Vitesse et Pente +/-) pour sélectionner l'option de votre choix.

Continue (Continuer) :

Choisissez « Continue » (Continuer) pour revenir à votre entraînement, et l'affichage commencera le compte à rebours de 3 secondes avant de laisser l'entraînement en pause.

Exit (Quitter) :

Choisissez « Exit » (Quitter) pour arrêter votre entraînement. L'écran affichera les informations de « Last session » (Dernière session) et un résumé de votre entraînement.

Save&Exit (Sauvegarder et Quitter)

Choisissez « Save&Exit » (Sauvegarder et Quitter) et sauvegardez le fichier dans « Own Trainings » (Mes entraînements).

- Le mode de nommage des fichiers s'ouvre dans une fenêtre contextuelle en bas du bouton « Save&Exit » (Sauvegarder et Quitter).
- Appuyez sur le bouton « Enter/Start » (Entrer/Démarrer) pour ouvrir l'option d'édition de texte qui affiche un « A ».
- Modifiez-le comme vous le souhaitez à l'aide des boutons « Speed & Incline + / - » (Vitesse et Pente +/-) et confirmez le caractère avec le bouton « Enter/Start » (Entrer/Démarrer). Le caractère suivant s'ouvre.
- Complétez le nom de votre fichier en répétant cette procédure.
- Une fois votre fichier nommé, sélectionnez le « V ». L'écran affichera les informations de « Last session » (Dernière session) et un résumé de votre entraînement.

REMARQUE

- Pour sauvegarder les données d'entraînement, il est nécessaire d'avoir 10 minutes ou 3 km de données de profil d'entraînement.
- Il n'est pas possible de stocker les données d'entraînement lorsque vous êtes en mode Fitness test (Test d'aptitude physique) ou T-Road (Route en T).

Target heart rate (Fréquence cardiaque cible)

- Utilisez les boutons « Speed & Incline + / - » (Vitesse et Pente +/-) pour naviguer dans le menu principal et sélectionnez « Target HR » (Fréquence cardiaque cible).
- Appuyez sur « Enter/Start » (Entrer/Démarrer) pour confirmer et accéder à l'écran de réglage.

Affichage de la programmation de la FC cible

L'écran d'affichage affiche « target heart rate Range 80 - 220 bpm » (Plage de fréquence cardiaque cible 80 - 220 bpm)

- À l'aide des boutons « Speed & Incline + / - » (Vitesse et Pente +/-), ajustez la FC cible souhaitée et confirmez avec « Enter/Start » (Entrer/Démarrer).
- Lors de la modification du paramètre, le pourcentage max FC mettra automatiquement à jour le pourcentage max FC du paramètre utilisateur sélectionné, en fonction de l'âge.

Affichage de la programmation des objectifs de durée d'entraînement

- Utilisez les boutons « Speed & Incline + / - » (Vitesse et Pente +/-) pour sélectionner un objectif d'énergie, de temps ou de distance, et confirmez avec « Enter/Start » (Entrer/Démarrer).

- À l'aide des boutons « Speed & Incline + / - » (Vitesse et Pente +/-), réglez l'objectif de durée souhaitée et confirmez avec « Enter/Start » (Entrer/Démarrer).

Énergie : Plage 50 ~ 2000 Défaut 200 ± 50.

Durée : Plage 10 ~ 180 Défaut 200 ± 30.

Distance : Plage 3 ~ 100 Défaut 10 ± 1.

- Appuyez sur « Enter/Start » (Entrer/Démarrer) pour confirmer et démarrer le compte à rebours de 3 secondes afin d'activer le mode « Target HR » (FC cible).

Le programme « Target HR » (FC cible) est contrôlé par la fréquence cardiaque.

L'intensité des entraînements sera automatiquement ajustée en fonction de la fréquence cardiaque de l'utilisateur et de l'objectif FC prédéfini.

Lorsque la fréquence cardiaque de l'utilisateur est inférieure à la cible, l'intensité augmente.

Lorsque la fréquence cardiaque de l'utilisateur est supérieure à la cible, l'intensité diminue.

Pendant le mode entraînement

- À l'aide des touches « Speed control » (Contrôle de la vitesse), vous pouvez à tout moment adapter la vitesse à vos besoins.
- À tout moment, les touches « Incline Control » (Contrôle de la pente) vous permettent d'adapter l'inclinaison à vos besoins.

REMARQUE

- Lors du réglage manuel de l'intensité, l'appareil continuera à se comporter comme il le devrait en fonction des paramètres de FC cible.
- Le message « No Heart Rate » (Pas de fréquence cardiaque) s'affiche si le rythme cardiaque de l'utilisateur n'est pas détecté pendant l'entraînement.

Pour « Pause/end your workout » (Interrompre/terminer votre entraînement), consultez la première section de ce manuel.

Manual (Manuel)

- Utilisez les boutons « Speed & Incline + / - » (Vitesse et Pente +/-) pour naviguer dans le menu principal et sélectionnez « Manual » (Manuel).
- Appuyez sur « Enter/Start » (Entrer/Démarrer) pour confirmer et accéder à l'écran de réglage.

Affichage de la programmation des objectifs de durée d'entraînement

- Utilisez les boutons « Speed & Incline + / - » (Vitesse et Pente +/-) pour sélectionner un objectif d'énergie, de temps ou de distance, et confirmez avec « Enter/Start » (Entrer/Démarrer).
 - À l'aide des boutons « Speed & Incline + / - » (Vitesse et Pente +/-), réglez l'objectif de durée souhaitée et confirmez avec « Enter/Start » (Entrer/Démarrer).
- Énergie : Plage 50 ~ 2000 Défaut 200 ± 50.
- Durée : Plage 10 ~ 180 Défaut 200 ± 30.
- Distance : Plage 3 ~ 100 Défaut 10 ± 1.
- Appuyez sur « Enter/Start » (Entrer/Démarrer) pour confirmer et démarrer le compte à rebours de 3 secondes afin d'activer le mode « Manual » (Manuel).

Tous les programmes de profil préprogrammés contrôlent automatiquement l'intensité.

Pendant le mode entraînement

- À l'aide des touches « Speed control » (Contrôle de la vitesse), vous pouvez à tout moment adapter la vitesse à vos besoins.
- À tout moment, les touches « Incline Control » (Contrôle de la pente) vous permettent d'adapter l'inclinaison à vos besoins.

Pour « Pause/end your workout » (Interrompre/terminer votre entraînement), consultez la première section de ce manuel.

Preset Programs (Programmes prédéfinis)

Utilisez les boutons « Speed & Incline + / - » (Vitesse et Pente +/-) pour naviguer dans le menu principal et sélectionnez « Preset Programs » (Programmes prédéfinis).

- Appuyez sur « Enter/Start » (Entrer/Démarrer) pour confirmer et accéder à l'écran de sélection de programmes.
- Utilisez les boutons « Speed & Incline + / - » (Vitesse et Pente +/-) pour sélectionner un programme prédéfini.
 - 5 profils sont contrôlés par la vitesse
 - Le profil graphique est affiché en vert.
 - 5 profils sont contrôlés par la pente
 - Le profil graphique est affiché en bleu.
- Appuyez sur « Enter/Start » (Entrer/Démarrer) pour confirmer et accéder à l'écran de réglage.

Affichage de la programmation des objectifs de durée d'entraînement

- Utilisez les boutons « Speed & Incline + / - » (Vitesse et Pente +/-) pour sélectionner un objectif d'énergie, de temps ou de distance, et confirmez avec « Enter/Start » (Entrer/Démarrer).
- À l'aide des boutons « Speed & Incline + / - » (Vitesse et Pente +/-), réglez l'objectif de durée souhaitée et confirmez avec « Enter/Start » (Entrer/Démarrer).

Énergie :	Page 50 ~ 2000	Défaut 200 ± 50.
Durée :	Page 10 ~ 180	Défaut 200 ± 30.
Distance :	Page 3 ~ 100	Défaut 10 ± 1.
- Appuyez sur « Enter/Start » (Entrer/Démarrer) pour confirmer et démarrer le compte à rebours de 3 secondes afin d'activer le profil du programme prédéfini sélectionné.

Pendant le mode entraînement

- À l'aide des touches « Speed control » (Contrôle de la vitesse), vous pouvez à tout moment adapter la vitesse à vos besoins.
- À tout moment, les touches « Incline Control » (Contrôle de la pente) vous permettent d'adapter l'inclinaison à vos besoins.
- Les touches « User/ + (scale up)/Select/ - (scale down) » (Utilisateur/ + [agrandir] et Sélectionner/- [rétrécir]) permettent d'agrandir le profil du programme dans son ensemble.

REMARQUE

- Lors d'un réglage manuel de la vitesse en appuyant sur les boutons « Speed control » (Contrôle de la vitesse) dans un profil à vitesse contrôlée, l'appareil n'appliquera le changement que sur la section du profil actif.
- Lors d'un réglage manuel de la pente en appuyant sur les boutons « Incline control » (Contrôle de la pente) dans un profil à pente contrôlée, l'appareil n'appliquera le changement que sur la section du profil actif.
- L'option de mise à l'échelle maximale/minimale est liée aux réglages les plus élevés/bas du profil, car la mise à l'échelle ne peut pas modifier le profil.

Pour « Pause/end your workout » (Interrompre/terminer votre entraînement), consultez la première section de ce manuel.

Own Trainings (Mes entraînements)

Utilisez les boutons « Speed & Incline + / - » (Vitesse et Pente +/-) pour naviguer dans le menu principal et sélectionnez « Own Trainings » (Mes entraînements).

- Appuyez sur « Enter/Start » (Entrer/Démarrer) pour confirmer et accéder à l'écran de sélection de programmes.

REMARQUE

- « No saved trainings where found » (Aucun entraînement sauvegardé trouvé) s'affiche lorsqu'il n'y a pas d'entraînement enregistré.

- Utilisez les boutons « Speed & Incline + / - » (Vitesse et Pente +/-) pour sélectionner un entraînement enregistré disponible. Vous pourrez reconnaître les profils à vitesse contrôlée disponibles quand : Le profil graphique est affiché en vert. Vous pourrez reconnaître les profils à pente contrôlée disponibles quand : Le profil graphique est affiché en bleu. Appuyez sur « Enter/Start » (Entrer/Démarrer) pour confirmer et accéder à l'écran de réglage.

Utilisez les boutons « Speed & Incline + / - » pour sélectionner : « Replay » (Relancer), « Edit » (Modifier) ou « Delete » (Supprimer).

« Replay » (Relancer)

- Sélectionnez « Replay » (Relancer) : Appuyez sur « Enter/Start » (Entrer/Démarrer) pour confirmer et démarrer le compte à rebours de 3 secondes afin d'activer le profil sélectionné comme programme.

« Edit » (Modifier)

- À l'aide des boutons « Speed & Incline + / - » (Vitesse et Pente +/-), réglez l'objectif de durée souhaitée et confirmez avec « Enter/Start » (Entrer/Démarrer).

Durée :	Page 10 ~ 180	Défaut 200 ± 30.
---------	---------------	------------------
- Appuyez sur « Enter/Start » (Entrer/Démarrer) pour confirmer et démarrer le compte à rebours de 3 secondes afin d'activer le profil du programme prédéfini sélectionné.

« Delete » (Supprimer)

- Appuyez sur « Enter/Start » (Entrer/Démarrer) pour confirmer et le « Own profile » (Mon profil) sélectionné sera effacé sans avertissement supplémentaire.

Pendant le mode entraînement

- À l'aide des touches « Speed control » (Contrôle de la vitesse), vous pouvez à tout moment adapter la vitesse à vos besoins.
- À tout moment, les touches « Incline Control » (Contrôle de la pente) vous permettent d'adapter l'inclinaison à vos besoins.
- Les touches « User/ + (scale up)/Select/ - (scale down) » (Utilisateur/ + [agrandir] et Sélectionner/- [rétrécir]) permettent d'agrandir le profil du programme dans son ensemble.

REMARQUE

- Lors d'un réglage manuel de la vitesse en appuyant sur les boutons « Speed control » (Contrôle de la vitesse) dans un profil à vitesse contrôlée, l'appareil n'appliquera le changement que sur la section du profil actif.
- Lors d'un réglage manuel de la pente en appuyant sur les boutons « Incline control » (Contrôle de la pente) dans un profil à pente contrôlée, l'appareil n'appliquera le changement que sur la section du profil actif.
- L'option de mise à l'échelle maximale/minimale est liée aux réglages les plus élevés/bas du profil, car la mise à l'échelle ne peut pas modifier le profil.

Pour « Pause/end your workout » (Interrompre/terminer votre entraînement), consultez la première section de ce manuel.

Fitness test (Test d'aptitude physique)

Utilisez les boutons « Speed & Incline + / - » (Vitesse et Pente +/-) pour naviguer dans le menu principal et sélectionnez « Fitness test » (Test d'aptitude physique).

- Appuyez sur « Enter/Start » (Entrer/Démarrer) pour confirmer et accéder à l'écran de sélection de programmes.

REMARQUE

- Pour commencer un test d'aptitude physique, un utilisateur doit être sélectionné. Si ce n'est pas le cas, cela sera notifié dans l'appareil.
- Les résultats des tests d'aptitude physique sont enregistrés dans le fichier « User log » (Journal utilisateur).

- Appuyez sur « Enter/Start » (Entrer/Démarrer) pour confirmer et démarrer le compte à rebours de 3 secondes pour commencer le « Fitness test » (Test d'aptitude physique).

Pendant le mode entraînement

- Pour compléter le test d'aptitude physique, vous devez courir pendant 12 minutes.
- Pendant ces 12 minutes, vous pouvez utiliser les touches « Speed control » (Contrôle de vitesse) pour ajuster la vitesse afin de repousser vos limites, car plus vous courez loin, meilleur sera votre score.
- La détection de la fréquence cardiaque est nécessaire pour calculer les résultats de votre test d'aptitude physique.

Terminer le « Fitness test » (Test d'aptitude physique)

- Le test se termine automatiquement au bout de 12 minutes. L'écran affiche les informations « Last session » (Dernière session) et un résumé de votre entraînement.
- Les résultats spécifiques du « Fitness test » (Test d'aptitude physique) sont enregistrés dans le fichier « User log » (Journal utilisateur).

REMARQUE

- Si le test est interrompu avant la fin des 12 minutes, le test échoue.
- L'affichage interrogera l'utilisateur s'il n'y a pas de signal de fréquence cardiaque détecté.

T-Road

Utilisez les boutons « Speed & Incline + / - » (Vitesse et Pente +/-) pour naviguer dans le menu principal et sélectionnez « T-Road » (Route en T).

- Appuyez sur « Enter/Start » (Entrer/Démarrer) pour confirmer et accéder à l'écran de sélection de programmes.
- Utilisez les boutons « Speed & Incline + / - » (Vitesse et Pente +/-) pour sélectionner l'un des 3 profils de route en T disponibles.
- Appuyez sur « Enter/Start » (Entrer/Démarrer) pour confirmer et démarrer le compte à rebours de 3 secondes pour commencer le profil de route en T sélectionné.

Pendant le mode entraînement

- Pour les profils de route en T, la durée de l'objectif dépend de la distance du profil sélectionné.
- Le comportement des réglages d'inclinaison est basé sur le profil sélectionné, de sorte qu'il est possible d'ajuster le réglage d'inclinaison, mais la correction automatique se fera immédiatement de nouveau.
- A l'aide des touches « Speed control » (Contrôle de la vitesse), vous pouvez à tout moment adapter la vitesse à vos besoins.
- Utilisez le bouton « Enter/Start » (Entrer/Démarrer) pour passer de l'affichage vidéo à l'affichage du profil.
Affichage vidéo : Affichage de la piste suggestive dans laquelle la vitesse du film est liée à la vitesse de course et la pente de l'environnement est liée au réglage de l'inclinaison du tapis de course.
Affichage du profil : Affiche le profil actuel dans les paramètres.

Pour « Pause/end your workout » (Interrompre/terminer votre entraînement), consultez la première section de ce manuel.

Mode Bluetooth

REMARQUE

- Cette console peut se connecter grâce à une application sur un appareil intelligent par Bluetooth (iOS et Android).
- Établissez la connexion Bluetooth uniquement via le mode de connexion de l'application installée sur votre smartphone.

Utilisez les boutons « Speed & Incline + / - » (Vitesse et Pente +/-) pour naviguer dans le menu principal et sélectionnez le mode « Bluetooth ».

- Appuyez sur « Enter/Start » (Entrer/Démarrer) pour confirmer et accéder à l'écran de sélection de programmes et mettez le module Bluetooth en marche.
L'adresse Bluetooth s'affiche.
- Appuyez sur la touche « Start/Stop » (Commencer/Arrêter) pour quitter l'affichage du mode de connexion Bluetooth et éteignez à nouveau le module Bluetooth s'il n'est pas appairé.

REMARQUE

- Tunturi offre uniquement la possibilité de connecter votre appareil de fitness via une connexion Bluetooth. Par conséquent, Tunturi ne peut être tenu responsable des dommages ou du mauvais fonctionnement des produits autres que les produits Tunturi.
- Consultez le site Web pour obtenir plus d'informations.
www.tunturi.com

User (Utilisateur)

Appuyez sur le bouton « User/ + (scale up) » (Utilisateur/ + [agrandir]) pour accéder au menu User (Utilisateur).

- Utilisez les boutons « Speed & Incline + / - » (Vitesse et Pente +/-) pour sélectionner l'un des 6 sous-menus disponibles.
- Appuyez sur « Enter/Start » (Entrer/Démarrer) pour confirmer et accéder au sous-menu sélectionné.

User Log (Journal utilisateur)

Le journal de l'utilisateur s'ouvre en affichant les données de votre séance d'entraînement « Last session » (Dernière session).

- Appuyez sur « Enter/Start » (Entrer/Démarrer) pour obtenir le total de vos données personnelles d'utilisateur.
- Appuyez sur « Enter/Start » (Entrer/Démarrer) pour quitter le menu « User Log » (Journal utilisateur).

User Setting (Réglages utilisateur)

Dans le menu « User Setting » (Réglages utilisateur), vous pouvez définir vos préférences personnelles et voir quelques données importantes :

- Régler « Contrast » (Contraste) : La luminosité (Par défaut = 50 %)
- Afficher la « Total Distance » (Distance totale) : La distance totale de la machine.
- Afficher la « Total Time » (Durée totale) : La durée totale de fonctionnement de la machine.
- Afficher « Current Version » (Version actuelle) : Le logiciel actuellement installé.
- Ajuster « SW Upgrade » (Mise à jour logicielle) : Mode de mise à jour du logiciel.
Oui : Possibilité de mettre à jour le logiciel par USB. Non : Impossible de mettre à jour le logiciel par USB.
- Régler « Language » (Langue) : Le réglage de la langue illustré par un drapeau.
- Régler « Volume Control » (Réglage du volume) : Le bouton émet un bip sonore.
on (yes) (marche[ou]) ou off (NO) (arrêt [NON]). Certaines notifications sonores ne peuvent pas être désactivées.

Ajuster les réglages

- Utilisez les boutons « Speed & Incline + / - » (Vitesse et Pente +/-) pour sélectionner l'un des paramètres de menu réglables.
- Appuyez sur « Enter/Start » (Entrer/Démarrer) pour confirmer et accéder au mode de modification.
- Utilisez les boutons « Speed & Incline + / - » (Vitesse et Pente +/-) pour régler le paramètre.
- Appuyez sur « Enter/Start » (Entrer/Démarrer) pour confirmer.
- Appuyez sur « Back/Stop » (Retour/Arrêter) pour quitter le menu des paramètres utilisateur.

User Setting (Réglages utilisateur)

Dans le menu « User Setting » (Réglages utilisateur), vous pouvez modifier les paramètres des réglages utilisateur s'ils ne sont pas (plus) corrects.

Voir la section « Create User » (Créer un utilisateur) pour savoir comment régler et enregistrer les paramètres de réglage utilisateur.

- Appuyez sur « Back/Stop » (Retour/Arrêter) pour quitter le menu des paramètres utilisateur.

Delete User (Supprimer un utilisateur)

Dans le menu « User setting » (Réglages utilisateur), vous pouvez supprimer un utilisateur des paramètres des réglages utilisateur enregistrés et de toutes les données de départ.

- Utilisez les boutons « Speed & Incline + / - » (Vitesse et Pente +/-) pour sélectionner l'utilisateur que vous souhaitez supprimer.
- Appuyez sur « Enter/Start » (Entrer/Démarrer) pour confirmer et le « Own profile » (Mon profil) sélectionné sera effacé sans avertissement supplémentaire.
- Appuyez sur « Back/Stop » (Retour/Arrêter) pour quitter le menu des paramètres utilisateur.

Change User (Changer d'utilisateur)

Dans le menu « Change User » (Changer d'utilisateur), vous pouvez changer entre les utilisateurs disponibles dans la bibliothèque d'utilisateurs.

- Utilisez les boutons « Speed & Incline + / - » (Vitesse et Pente +/-) pour sélectionner l'utilisateur que vous souhaitez sélectionner.
- Appuyez sur « Enter/Start » (Entrer/Démarrer) pour confirmer l'utilisateur affiché.
- Appuyez sur « Back/Stop » (Retour/Arrêter) pour
- Appuyez sur « Back/Stop » (Retour/Arrêter) pour quitter le menu des paramètres utilisateur.

Create User (Créer un utilisateur)

Appuyez sur le bouton « User/ + (scale up) » (Utilisateur/ + [agrandir]) pour accéder au menu « Create User » (Créer un utilisateur).

- Utilisez les boutons « Speed & Incline + / - » (Vitesse et Pente +/-) pour sélectionner l'un des 9 paramètres de données utilisateur disponibles.
- Appuyez sur « Enter/Start » (Entrer/Démarrer) pour confirmer et accéder à la fenêtre de réglage des paramètres utilisateur sélectionnés.

User name (Nom utilisateur) :

- Appuyez sur le bouton « Enter/Start » (Entrer/Démarrer) pour ouvrir l'option d'édition de texte qui affiche un « A ».
- Modifiez-le comme vous le souhaitez à l'aide des boutons « Speed & Incline + / - » (Vitesse et Pente +/-) et confirmez le caractère avec le bouton « Enter/Start » (Entrer/Démarrer). Le caractère suivant s'ouvre.
- Complétez le nom de votre fichier en répétant cette procédure.
- Une fois votre fichier nommé, sélectionnez l'icône « ✓ » et l'affichage enregistrera le nom du fichier et retournera au menu « Create User » (Créer un utilisateur).

Unités d'affichage

- Utilisez les boutons « Speed & Incline + / - » (Vitesse et Pente +/-) pour sélectionner les réglages d'unités nécessaires.

	Speed (Vitesse)	Distance	Height (Hauteur)	Weight (Poids)
Métrique	Km/H	Km	Cm	Kg
Impérial	Mph	Mile	Ft/Inch	Lbs

- Appuyez sur « Enter/Start » (Entrer/Démarrer) pour confirmer votre réglage et retourner au menu « Create User » (Créer un utilisateur).

Affichage

- Utilisez les boutons « Speed & Incline + / - » (Vitesse et Pente +/-) pour sélectionner le réglage d'affichage souhaité.
- Décompte : décompte de la durée/de la distance prédéfinie activé
- Compte à rebours : le compte à rebours du temps/de la distance prédéfinie est activé.
- Appuyez sur « Enter/Start » (Entrer/Démarrer) pour confirmer votre réglage et retourner au menu « Create User » (Créer un utilisateur).

Sexe

- Utilisez les boutons « Speed & Incline + / - » (Vitesse et Pente +/-) pour sélectionner les réglages de sexe nécessaires.
- Appuyez sur « Enter/Start » (Entrer/Démarrer) pour confirmer votre réglage et retourner au menu « Create User » (Créer un utilisateur).

Âge

- Utilisez les boutons « Speed & Incline + / - » (Vitesse et Pente +/-) pour ajuster les paramètres d'âge.
- Tranche : 10 ~ 99 ± 1
- Appuyez sur « Enter/Start » (Entrer/Démarrer) pour confirmer votre réglage et retourner au menu « Create User » (Créer un utilisateur).

Height (Hauteur)

- Utilisez les boutons « Speed & Incline + / - » (Vitesse et Pente +/-) pour ajuster les paramètres de hauteur.
- Plage : Métrique : 110 ~ 210 ± 1/Impérial : 3'7 ~ 6'10 ± 0'1
- Appuyez sur « Enter/Start » (Entrer/Démarrer) pour confirmer votre réglage et retourner au menu « Create User » (Créer un utilisateur).

Weight (Poids)

- Utilisez les boutons « Speed & Incline + / - » (Vitesse et Pente +/-) pour ajuster les paramètres de poids.
- Plage : 30 ~ 150 ± 1/Impérial : 66 ~ 330 ± 1
- Appuyez sur « Enter/Start » (Entrer/Démarrer) pour confirmer votre réglage et retourner au menu « Create User » (Créer un utilisateur).

Max HR (FC max.)

Le paramètre Max HR (FC max.) est une valeur calculée automatiquement en fonction de votre âge et de votre sexe. Vous êtes tout de même libre de fixer une limite personnelle.

Homme : 220 - âge est FC max.

Femme : 226 - âge est FC max.

- Utilisez les boutons « Speed & Incline + / - » (Vitesse et Pente +/-) pour ajuster les paramètres de FC max.
- Plage : 80 ~ 220 ± 1
- Appuyez sur « Enter/Start » (Entrer/Démarrer) pour confirmer votre réglage et retourner au menu « Create User » (Créer un utilisateur).

Max Speed (Vitesse max.)

- Utilisez les boutons « Speed & Incline + / - » (Vitesse et Pente +/-) pour ajuster les paramètres de vitesse.
- Métrique : 0,5 ~ 16,0 ± 0,1/Impérial : 0.3 ~ 10.0 ± 0.1
- Appuyez sur « Enter/Start » (Entrer/Démarrer) pour confirmer votre réglage et retourner au menu « Create User » (Créer un utilisateur).

REMARQUE

- La vitesse maximale réglée sera utilisée comme vitesse maximale du tapis de course, aussi bien en mode manuel qu'en modes de profil de programme.

Garantie

Conditions de garantie

Le consommateur dispose des droits légaux accordés par la législation nationale applicable au commerce des produits de consommation courante et cette garantie ne limite ces droits en aucun cas. La « Garantie du propriétaire » est valable uniquement si l'équipement est utilisé dans l'environnement correspondant à celui déterminé par Tunturi New Fitness BV. L'environnement d'utilisation de chaque appareil est mentionné dans le mode d'emploi fourni avec l'appareil en question.

Conditions de garantie

Les conditions de garantie sont applicables à compter de la date d'achat et peuvent varier selon les pays. Demandez conseil à votre revendeur.

Étendue de la garantie

En aucun cas Tunturi New Fitness BV, le revendeur ou le distributeur Tunturi ne répondra des éventuels dommages spéciaux, indirects, secondaires ou consécutifs, de quelque nature que ce soit, liés à l'utilisation de ou à l'inaptitude à utiliser cet équipement.

Restrictions de garantie

La garantie couvre les défauts de fabrication et de matériaux dans un équipement d'origine, sorti d'usine et conditionné par Tunturi New Fitness BV. La garantie couvre uniquement les défauts apparaissant lors d'une utilisation normale et conforme aux instructions du manuel du propriétaire, à condition que les instructions de montage, de maintenance et d'utilisation établies par Tunturi New Fitness BV aient été respectées. Tunturi New Fitness BV et les revendeurs Tunturi ne répondent pas des défauts occasionnés par des conditions indépendantes de leur volonté. La garantie est applicable uniquement au premier acheteur et est valable uniquement dans les pays où Tunturi New Fitness BV dispose d'un distributeur agréé. La garantie ne s'étend pas aux équipements de fitness ou aux pièces qui ont été modifiées sans l'autorisation de Tunturi New Fitness BV. La garantie ne s'applique pas aux défauts provenant d'une usure normale, d'une utilisation inadaptée, d'une utilisation dans des conditions non prévues par le fabricant, de la corrosion ou d'un dommage intervenu lors du chargement ou du transport.

La garantie ne couvre pas les sons ou les bruits émis par l'équipement s'ils ne gênent pas son utilisation et s'ils ne sont pas provoqués par un dysfonctionnement.

La garantie ne couvre pas plus les mesures de maintenance, telles que le nettoyage, la lubrification ou la vérification normale des pièces, ni les actions que le client peut effectuer lui-même et qui n'exigent pas particulièrement de monter/ démonter l'équipement. Ces actions sont par exemple le changement des compteurs, des pédales ou autres pièces similaires faciles à changer. Seules les réparations sous garantie effectuées par un revendeur ou par le distributeur agréé Tunturi seront prises en charge. Le non-respect des instructions décrites dans le Manuel de l'Utilisateur entraînera l'annulation de la garantie.

Nettoyage et maintenance

⚠ AVERTISSEMENT

- Avant le nettoyage et la maintenance, retirez la fiche secteur de la prise murale.
 - N'utilisez aucun solvant pour nettoyer l'équipement.
- Ne bloquez pas les ouvertures de ventilation. Débarrassez les ouvertures de ventilation de toute poussière, salissure ou obstruction.
 - Nettoyez l'équipement avec un chiffon doux et absorbant après chaque usage.
 - Nettoyez les parties visibles de l'équipement avec un aspirateur doté d'un petit suceur.
 - Vérifiez régulièrement le serrage de tous les écrous et vis.

Tapis et surface

Votre tapis de course utilise une couche très efficace à faible friction. Les performances seront meilleures si la surface est régulièrement nettoyée. Utilisez un chiffon doux et humide ou une serviette en papier pour essuyer le bord du tapis et la zone entre le bord du tapis et le châssis. Allez aussi loin que possible sous le bord du tapis. Ce nettoyage doit être fait une fois par mois afin de prolonger la durée de vie du tapis et de la surface. Utilisez uniquement de l'eau - jamais de produits de nettoyage ou d'abrasifs. Nettoyez le dessus du tapis texturé avec une eau savonneuse douce et une brosse en nylon. Laissez sécher le tapis avant de l'utiliser.

Lubrification (fig. F-4)

L'état de lubrification du tapis de course doit régulièrement être vérifié. C'est pourquoi le tapis de course est muni d'une fonction de rappel toutes les 300 heures. La « TIME WINDOW » affichera « OIL » et diffusera un bip toutes les 10 secondes pour vous le rappeler. Suivez la procédure de vérification ci-dessous et supprimez le message « OIL » ainsi que le signal sonore en maintenant enfoncé le bouton « START » pendant au moins 3 secondes pendant le signal d'alarme.

⚠ AVERTISSEMENT

- Avant la lubrification, retirez la fiche secteur de la prise murale.

⚠ PRÉCAUTION

- Nous vous recommandons de vérifier le graissage de la bande en cours d'exécution au moins une fois par mois, car davantage de facteurs que le temps peuvent être déterminants pour l'état du lubrifiant.
 - Lubrifiez le tapis roulant uniquement si c'est nécessaire. Une lubrification excessive peut faire patiner le tapis roulant du fait du manque de friction.
- Tenez-vous fermement sur le tapis roulant.
 - Serrez le guidon avant et poussez le tapis roulant avec vos pieds afin de lui imprimer un mouvement avant-arrière. Le tapis roulant doit rouler régulièrement et silencieusement.
 - Si le tapis roulant ne roule pas régulièrement et silencieusement ou s'il ne roule pas du tout, touchez la partie inférieure du tapis roulant avec vos doigts pour vérifier la lubrification.
 - Si vous sentez le lubrifiant ou si vos doigts sont brillants, le tapis est suffisamment lubrifié.
 - Si vous ne sentez pas le lubrifiant ou si vos doigts sont poussiéreux ou rugueux, appliquez du lubrifiant (15 à 20 ml) au milieu du plateau roulant sous le tapis roulant et laissez l'équipement fonctionner à 5 km/h durant au moins 5 minutes.
 - Après la lubrification, ne repliez pas l'équipement sans effectuer une session de 20 minutes à une vitesse d'au moins 5 km/h. Le lubrifiant se répartit uniformément ainsi sur tout le tapis roulant.

Poussière de tapis

Le tapis dégage de la poussière lors d'un rodage normal jusqu'à ce que le tapis se stabilise. Essayez la poussière à l'aide d'un chiffon humide pour éviter qu'elle s'accumule.

Nettoyage général

Les saletés, la poussière et les poils d'animaux peuvent bloquer les entrées d'air et s'accumuler sur le tapis. Tous les mois : passez l'aspirateur sous le tapis de course pour éviter l'accumulation. Retirez le capot noir du moteur deux fois par an et aspirez les saletés qui peuvent s'y accumuler.

DEBRANCHEZ L'APPAREIL AVANT LE NETTOYAGE.

- Serrez les boulons du rouleau arrière (dans le sens des aiguilles d'une montre) juste assez pour empêcher que le tapis patine sur le rouleau avant. Tournez les deux boulons de réglage de la tension du tapis par incréments d'un quart de tour et contrôlez la tension en marchant lentement sur le tapis et en vous assurant que celui-ci ne patine pas. Continuez à serrer les boulons jusqu'à ce que le tapis cesse de patiner.

- Si vous avez l'impression que le tapis est assez serré mais patine encore, le problème provient peut-être d'une courroie de transmission lâche sous le capot avant.
- Ne serrez pas trop: Un serrage excessif peut endommager le tapis et entraîner une défaillance prématurée des roulements.

Centrage du tapis :

Le niveau de performance de votre tapis de course dépend de la planéité de la surface sur laquelle il fonctionne. Lorsque le châssis n'est pas horizontal, le rouleau avant et le rouleau arrière ne peuvent pas rester parallèles et le tapis devra être centré sans cesse.

Cet appareil est conçu de façon à ce que le tapis reste raisonnablement centré lorsqu'il est en service. Il est normal que certains tapis ont tendance à dériver lorsque personne ne se trouve dessus. Après quelques minutes, le tapis devrait se centrer automatiquement. Si le tapis continue à dériver, il faudra le centrer.

EXCEPTION:

Lors d'une rééducation, pendant laquelle l'utilisateur marche sur une jambe plus forte que l'autre, il se peut que le tapis dérive. Dans de tels cas, vous ne devez pas centrer le tapis, à moins que le tapis ne se centre pas automatiquement dans des conditions d'utilisation normales.

Pour centrer le tapis (fig. F-5)

Une clé hexagonale coudée de 10 mm est fournie pour régler le rouleau arrière. Le réglage doit être effectué uniquement du côté gauche. Réglez la vitesse du tapis sur environ 3 à 5 km/h.

Rappelez-vous : un petit ajustement peut faire une différence considérable !

Tournez le boulon dans le sens des aiguilles d'une montre pour déplacer le tapis vers la droite et dans le sens inverse pour le déplacer vers la gauche. Tournez le boulon seulement un quart de tour à la fois et attendez quelques minutes jusqu'à ce que le tapis se déplace. Continuez à faire des quarts de tour jusqu'à ce que le tapis se stabilise au centre.

Il se peut que vous deviez centrer le tapis de temps en temps en fonction de l'utilisation et de votre façon de marcher/de courir. Pour certains utilisateurs, le centrage se fera d'une façon différente. Attendez-vous à procéder aux ajustements nécessaires au centrage du tapis. Au fur et à mesure que le tapis est utilisé, ces ajustements vous causeront moins de soucis. Il est de la responsabilité de tout propriétaire de bien centrer son tapis de course.

NOTE

- Les dommages causés au tapis résultant d'un mauvais centrage / réglage de la tension ne sont pas couverts par la garantie.

Defauts de fonctionnement

En dépit d'un contrôle continu de la qualité, l'appareil peut présenter des défauts ou des anomalies de fonctionnement provenant de certains de ses composants. Dans ce cas, il n'est pas cependant nécessaire d'aller faire réparer votre appareil, le problème pouvant bien souvent être résolu par simple changement de la pièce défectueuse.

Contactez votre distributeur au cas où vous remarqueriez un défaut ou un mauvais fonctionnement de votre l'appareil ou si vous avez besoin de pièces de rechange. Indiquez-lui la nature du problème, les conditions d'utilisation, la date d'achat, le modèle et le numéro de série.

Vous trouverez la liste des pièces détachées à la fin de ce mode d'emploi. Seules des pièces mentionnées dans la liste des pièces de rechange peuvent être utilisées dans l'appareil.

Codes d'erreur

Si l'affichage indique un code d'erreur ("E" + un nombre), redémarrez l'équipement et vérifiez si le code d'erreur s'affiche toujours. Si le code d'erreur persiste, contactez immédiatement le revendeur.

-

Transport et rangement

⚠ AVERTISSEMENT

- Avant le nettoyage et la maintenance, retirez la fiche secteur de la prise murale.
- Deux personnes au moins sont nécessaires pour transporter et déplacer l'équipement.
- Assurez-vous que rien, ni personne ne se trouve sous l'équipement.
- En pliant l'équipement, assurez-vous de l'entendre se verrouiller en position afin qu'il ne se déplie pas inopinément.

⚠ PRÉCAUTION

- Avant de plier l'équipement, assurez-vous que l'inclinaison est à 0 %. Si l'inclinaison n'est pas à 0 %, le pliage va endommager le mécanisme.

- Déplacez l'équipement comme illustré (fig. F3). Déplacez l'équipement et reposez-le prudemment. Placez l'équipement sur une base protectrice pour éviter d'endommager la surface du sol. Déplacez prudemment l'équipement sur les surfaces irrégulières. Ne déplacez pas l'équipement sur ses roues pour monter des escaliers mais transportez-le par les guidons.
- Rangez l'équipement à la verticale (fig. F1). Rangez l'équipement dans un endroit sec exposé à des variations de température minimales.

Informations supplémentaires

Élimination des emballages

Les réglementations gouvernementales nous demandent de réduire la quantité de matériaux déposés dans les décharges. C'est pour cela que nous faisons appel à votre responsabilité et vous demandons de déposer les emballages dans des centres de recyclage publics.

Élimination du produit

Chez Tunturi, nous espérons que vous profiterez longtemps de votre appareil de fitness. Cependant, nous savons bien qu'un jour ou l'autre votre machine arrivera au terme de sa vie utile. Selon la directive européenne sur les DEEE, vous êtes responsable de vous séparer correctement de votre appareil de fitness en le déposant dans un site public agréé de récupération des déchets.

Données techniques

Paramètre	Unité de mesure	Valeur
Tension secteur	VCA	210 ~ 240
Fréquence secteur	HZ	50 ~ 60
Moteur	CV	2.5 5.5 Max.
Vitesse	Km/H	0.5 ~ 16.0
Vitesse	Mph	0.3 ~ 10.0
Inclinaison	Étape	0 ~ 15
Longueur (replié)	Cm	193.0 (137.0)
Longueur (replié)	Inch	76.0 (53.9)
Largeur	Cm	82.5
Largeur	Inch	32.5
Hauteur (replié)	Cm	149.0 (155.0)
Hauteur (replié)	Inch	58.7 (61.0)
Poids	Kg	117.0
Poids	Lbs	257.9
Poids maxi utilisateur	Kb	150
Poids maxi utilisateur	Lbs	330
Récepteur de FC	Khz	5.3 Khz

Déclaration du fabricant

Tunturi Fitness BV déclare que le produit est conforme aux directives et normes suivantes : EN 957 (HA), 89/336/CEE.
Ce produit porte donc la marque CE.

12-2019

Tunturi New Fitness BV
Purmerweg 1
1311 XE Almere
Pays-Bas

Limite de responsabilité

© 2019 Tunturi New Fitness BV
Tous les droits réservés.

Le produit et le manuel sont sujets à modifications. Les spécifications peuvent changer sans préavis.

[Check our website for the latest user manual version.](#)

Nederlands

Deze Nederlandse handleiding is een vertaling van de Engelse tekst. Aan deze vertaling kunnen geen rechten ontleend worden. De originele Engelse tekst blijft leidend.

Inhoud

Loopband	52
Veiligheidswaarschuwingen	52
Elektrische veiligheid	52
Montage instructies	53
Beschrijving (Fig. A).....	53
Inhoud van de verpakking (Fig. B&C)	53
Assemblage (Fig. D).....	53
Accessoires (fig. H).....	53
Trainingen	53
Instructies	53
Hartslag	54
Gebruik	54
Monitor (fig. E-1)	55
Knoppen.....	55
Uitleg van de items op het display (fig. H).....	56
USB-functie.....	56
Het menu Programma's	56
Snelle start.....	56
Workout onderbreken/beëindigen	56
Doelhartslag	57
Manueel	57
Voorgeprogrammeerde programma's.....	57
Eigen trainingen	58
Fitnessstest	58
T-Road	58
Bluetooth-modus	58
Gebruiker	59
Gebruikerslogboek	59
Gebruikersinstellingen	59
Gebruikersinstellingen	59
Gebruiker verwijderen.....	59
Gebruiker wijzigen	59
Gebruiker maken	59
Garantie	60
Reiniging en onderhoud	60
Smeren (fig. F-4).....	61
Gebruiksstoringen	61
Foutcodes	62
Transport en opslag	62
Aanvullende informatie.....	62
Technische gegevens	62
Verklaring van de fabrikant	62
Disclaimer	62

Loopband

Welkom in de wereld van Tunturi Fitness!
Hartelijk dank voor uw aankoop van dit Tunturi-toestel. Tunturi biedt een grote verscheidenheid aan professionele toestellen zoals crosstrainers, loopbanden, fietstrainers, roeimachines en accessoires. Het Tunturi-toestel is geschikt voor de hele familie, onafhankelijk van de conditie. Meer informatie vindt u op de website www.tunturi.com

Belangrijke Informatie

Deze gids is een essentieel onderdeel van uw Tunturi looptrainer. Lees deze gids zorgvuldig door vóórdat u begint met monteren, gebruiken of onderhouden van uw looptrainer. Bewaar de gids op een handige plaats. U kunt er, nu en in de toekomst, nuttige informatie uithalen die u nodig heeft voor het gebruik en het onderhoud van de apparatuur. Volg de instructies altijd met zorg op.

Veiligheidswaarschuwingen

⚠ WAARSCHUWING

- Lees de veiligheid-waarschuwingen en de instructies. Het niet opvolgen van de veiligheid-waarschuwingen en de instructies kan persoonlijk letsel of beschadiging van het toestel veroorzaken. Bewaar de veiligheid-waarschuwingen en instructies voor toekomstig gebruik.

⚠ WAARSCHUWING

- Hartslag-bewakingssystemen kunnen onnauwkeurig zijn. Overmatig trainen kan leiden tot ernstig letsel of de dood. Als u zich duizelig voelt, stop dan onmiddellijk met trainen.

- Het toestel is uitsluitend geschikt voor huishoudelijk en professioneel gebruik (bijv. ziekenhuizen, brandweerkazernes, hotels, scholen, etc.). Het maximum gebruik is beperkt tot 6 uur per dag. Het toestel is niet geschikt voor volledig commercieel gebruik (bijv. grote sportscholen).
- Het gebruik van dit toestel door kinderen of personen met fysieke, sensorische, geestelijke of motorische handicaps, of met gebrek aan ervaring en kennis kan gevaar veroorzaken. De personen die verantwoordelijk zijn voor hun veiligheid moeten uitdrukkelijke instructies geven of toezicht houden op het gebruik van het toestel.
- Als u misselijkheid, duizeligheid of andere abnormale symptomen ervaart, stop dan onmiddellijk met uw training en raadpleeg een arts.
- Om spierpijn en te zware belasting te voorkomen, moet u elke training beginnen met een warming-up en eindigen met een cooling-down. Vergeet niet om uw spieren te strekken aan het einde van de training.
- Het toestel is uitsluitend geschikt voor gebruik binnenshuis. Het toestel is niet geschikt voor gebruik buitenshuis.
- Gebruik het toestel alleen in een omgeving met voldoende ventilatie. Gebruik het toestel niet in een tochtige omgeving om geen kou te vatten.
- Gebruik het toestel alleen in een omgeving met een omgevingstemperatuur tussen 10 °C~35 °C. Berg het toestel alleen op bij een omgevingstemperatuur tussen 5 °C~45 °C.
- Gebruik het toestel niet in een vochtige omgeving. Berg het toestel niet op in een vochtige omgeving. De luchtvochtigheid mag nooit meer zijn dan 80%.
- Gebruik het toestel alleen voor het doel waarvoor het gemaakt is. Gebruik het toestel niet voor andere doelstellingen dan beschreven in de handleiding.
- Gebruik het toestel niet als een onderdeel is beschadigd of niet goed werkt. Raadpleeg uw dealer als een onderdeel is beschadigd of niet goed werkt.
- Houd uw handen, voeten en andere lichaamsdelen uit de buurt van de bewegende delen.
- Houd uw haar uit de buurt van de bewegende delen.
- Draag geschikte kleding en schoenen.
- Houd kleding, sieraden en andere voorwerpen uit de buurt van de bewegende delen.
- Zorg ervoor dat het toestel slechts door één persoon tegelijk wordt gebruikt. Het toestel mag niet worden gebruikt door personen die meer dan 150 kg (330 lbs) wegen.
- Maak het toestel niet open zonder eerst uw dealer te raadplegen.

Elektrische veiligheid

(Uitsluitend voor toestellen met elektrisch vermogen)

- Controleer voor gebruik altijd of de netspanning gelijk is aan de spanning op het typeplaatje van het toestel.
- Gebruik geen verlengsnoer.
- Houd het snoer uit de buurt van warmte, olie en scherpe randen.
- Verander of wijzig het snoer of de stekker niet.
- Gebruik het toestel niet als het snoer of de stekker beschadigd is of niet goed werkt. Als het snoer of de stekker is beschadigd of niet goed werkt, raadpleeg dan uw dealer.

- Rol het snoer altijd helemaal uit.
- Laat het snoer niet onder het toestel door lopen. Laat het snoer niet onder een kleed door lopen. Plaats geen voorwerpen op het snoer.
- Zorg ervoor dat het snoer niet over de rand van een tafel hangt. Zorg ervoor dat niemand per ongeluk achter het snoer kan blijven haken of erover kan struikelen.
- Laat het toestel niet onbewaakt achter wanneer de stekker in het stopcontact zit.
- Trek niet aan het snoer als u de stekker uit het stopcontact wilt halen.
- Verwijder de stekker uit het stopcontact wanneer het toestel niet in gebruik is, vóór montage of demontage en vóór reiniging en onderhoud.

⚠ WAARSCHUWING

- Als het voltage varieert met tien (10) procent, kan dit de prestaties van de loopband negatief beïnvloeden. Dergelijke omstandigheden vallen niet onder de garantie. Als u vermoedt dat het voltage te laag is, neemt u contact op met het lokale energiebedrijf of een bevoegd elektricien voor het uitvoeren van een test.

⚠ WAARSCHUWING

- Gebruik NOOIT een overspanning-beveiliging met deze loopband. Net als bij elk apparaat met een grote motor zal de overspanning-beveiliging vaak worden geactiveerd. Houd het stroom snoer uit de buurt van bewegende onderdelen van de loopband, inclusief het helling-mechanisme en de transportwielletjes.

Aardingsinstructies

Dit product moet worden geaard. Als het elektrische systeem van de loopband niet goed/niet meer werkt, vormt aarding een pad van minste weerstand voor elektrische stroom, waardoor het risico van een elektrische schok afneemt. Dit product is voorzien van een koord met een aardingsstekker. De stekker moet in een geschikt stopcontact worden geplaatst dat op juiste wijze is gemonteerd en geaard in overeenstemming met alle lokale normen en verordeningen.

⚠ WAARSCHUWING

- Onjuiste aansluiting van de aardingsgeleider kan resulteren in risico van een elektrische schok. Neem contact op met een bevoegd elektricien of onderhoudsmonteur als u niet zeker weet of het product goed is geaard. Pas de stekker die met het product wordt geleverd niet aan wanneer het niet in het stopcontact past. Laat een geschikt stopcontact installeren door een bevoegd elektricien.

Montage instructies

Beschrijving (Fig. A)

Uw loopband is is een stationair fitnessstoestel dat wordt gebruikt voor het nabootsen van lopen of hardlopen zonder dat de gewrichten te veel belast worden.

Inhoud van de verpakking (Fig. B&C)

- De verpakking bevat de onderdelen zoals aangegeven in fig. B.
- De verpakking bevat de bevestigingsmiddelen zoals aangegeven in fig. C. Raadpleeg het gedeelte "Beschrijving".

⚠ LET OP

- Raadpleeg uw dealer als een onderdeel ontbreekt.

Assemblage (Fig. D)

⚠ WAARSCHUWING

- Monteer het apparaat in de aangegeven volgorde.
- Draag en verplaats het toestel met minstens twee personen.

⚠ VOORZICHTIG

- Zet het toestel op een stevige, vlakke ondergrond.
- Zorg voor een beschermende laag onder het toestel om schade aan het vloeroppervlak te voorkomen.
- Houd rondom de apparatuur ten minste een bewegingsruimte van 100 cm.

- Raadpleeg de illustraties voor de juiste assemblage van het toestel.

Accessoires (fig. H)

⚠ OPMERKING

- De getoonde illustratie laat zien hoe de trainer eruit zal zien met de geschikte verlengde leuning.
- De extra verlengde leuning kunnen als accessoire worden gekocht.
- Article nr: 19TRNRH000

Neem contact op met uw dealer voor meer informatie.

Trainingen

De training moet licht genoeg zijn, maar wel langdurig. Aerobische training is gebaseerd op verbetering van de maximale zuurstofopname van het lichaam, die dan het uithoudingsvermogen en de conditie weer verbetert. U moet tijdens de training wel transpireren, maar u mag niet buiten adem raken. Voor het bereiken en in stand houden van een basisconditie moet u minstens drie keer per week steeds 30 minuten trainen. Verhoog het aantal trainingssessies ter verbetering van uw conditie. Het is de moeite waard om regelmatige lichaamsbeweging met gezonde voeding te combineren. Iemand die zich goed aan een dieet houdt, zou elke dag moeten trainen te beginnen met 30 minuten of korter. Begin uw training bij een lage snelheid en een lage weerstand om te voorkomen dat uw hart en bloedvaten te sterk belast worden. Naarmate uw conditie verbetert, kunnen snelheid en weerstand geleidelijk worden verhoogd. De doelmatigheid van uw training kan worden gemeten door uw hartslag.

Instructies

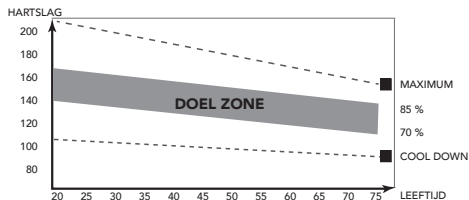
Het gebruik van dit fitness apparaat biedt meerdere voordelen: u verbetert uw fysieke conditie, u versterkt uw spieren en u valt in combinatie met een caloriearm dieet af.

De warming-up

In deze fase wordt uw bloedsomloop gestimuleerd voor een juiste werking van de spieren. Tevens wordt het risico op kramp en spierletsel verminderd. Wij raden u aan enkele stretch oefeningen te doen, zoals hieronder beschreven. Houd elke stretch oefening ongeveer 30 seconden vol. Forceer uw spieren niet bij het stretchen. STOP als het pijn doet

De training fase

Dit is de fase waarin u de meeste inspanning levert. Na regelmatig gebruik worden de spieren in uw benen flexibeler. Het is in deze fase zeer belangrijk dat u een gelijkmatig tempo aanhoudt. De snelheid moet voldoende zijn om uw hartslag te laten stijgen naar de doel zone die in de onderstaande grafiek te zien is.



Deze fase moet minimaal 12 minuten duren, maar de meeste mensen beginnen met ongeveer 15-20 minuten.

De cooling down

In deze fase ontspant u uw cardiovasculaire systeem en spieren. Dit is een herhaling van de warming-up training. Verlaag dus uw tempo en ga ongeveer 5 minuten door. Herhaal nu de stretch-oefeningen. Forceer uw spieren niet tijdens het stretchen.

Naarmate u fitter wordt, moet u langer en harder trainen. Het is raadzaam minstens drie keer per week te trainen en zo nodig uw oefeningen gelijkmatig over de week te verspreiden.

Spierversteviging

Als u uw spieren wilt verstevigen met behulp van dit fitnessapparaat, stelt u de weerstand in op hoog. Zo komt er meer spanning op uw beenspieren. Mogelijk kunt u niet zo lang trainen als u zou willen. Als u ook uw conditie wilt verbeteren, moet u het trainingsprogramma aanpassen. Tijdens de warming-up en cooling-down traint u zoals normaal, maar tegen het eind van de trainingsfase verhoogt u de weerstand zodat uw benen harder moeten werken. Verlaag hierbij de snelheid zodat uw hartslag in de doelzone blijft.

Gewichtverlies

Hierbij is het van belang hoeveel inspanning u levert. Hoe harder en langer u werkt, hoe meer calorieën u verbrandt. In feite is dit hetzelfde als wanneer u zou trainen om uw conditie te verbeteren. Het doel is alleen anders.

Hartslag

Hartslagmeting (handgreepsensoren)

De hartslag wordt gemeten door sensoren in de handgrepen wanneer de gebruiker beide sensoren tegelijkertijd aanraakt. Voor de meest nauwkeurige hartslagmeting moet de huid enigszins vochtig zijn en moet u de handgreepsensoren voortdurend aanraken. Bij een te droge of te vochtige huid kan de hartslagmeting minder nauwkeurig worden.

LET OP

- Gebruik de handgreepsensoren niet in combinatie met een hartslagborstband.
- Als u een hartslag-limiet hebt ingesteld voor uw training, klinkt er een alarm wanneer deze wordt overschreden.

Hartslagmeting (hartslagborstband)

LET OP

- Een hartslagborstband is niet standaard bij deze trainer mee geleverd. Als u een hartslagborstband wilt gebruiken, zult u deze als accessoire moeten aanschaffen.

De meest nauwkeurige hartslagmeting wordt bereikt met een hartslagborstband. De hartslag wordt gemeten met een hartslagontvanger in combinatie met een band die de hartslag verzendt. Voor een nauwkeurige hartslagmeting moeten de elektroden op de borstband enigszins vochtig zijn en de huid constant aanraken. Bij te droge of te natte elektroden kan de hartslagmeting minder nauwkeurig worden.

WAARSCHUWING

- Als u een pacemaker hebt, moet u het eerst met uw dokter bespreken voordat u een hartslagborstband gebruikt.

VOORZICHTIG

- Als er verscheidene hartslagmeetapparaten naast elkaar staan, zorg er dan voor dat de tussenafstand minstens 2 meter is.
- Als er slechts één hartslagontvanger en verscheidene hartslagzenders zijn, zorg dan dat er slechts één persoon met een zender in het zendbereik is.

LET OP

- Gebruik de hartslagborstband niet in combinatie met de handgreepsensoren.
- Draag de hartslagborstband altijd onder uw kleding, direct op uw huid. Draag de hartslagborstband niet boven uw kleding. Als u de hartslagborstband boven uw kleding draagt, zal er geen signaal komen.
- Als u een hartslaglimiet hebt ingesteld voor uw training, klinkt er een alarm wanneer deze wordt overschreden.
- De zender verzendt de hartslag naar de console tot over een afstand van 1,5 meter. Als de elektroden niet vochtig zijn, verschijnt de hartslag niet op de display.
- Sommige vezels in kleding (bijv. polyester, polyamide) produceren statische elektriciteit die een nauwkeurige hartslagmeting kan hinderen.
- Mobiele telefoons, televisies en andere elektrische apparaten creëren een elektromagnetisch veld dat een nauwkeurige hartslagmeting kan hinderen.

Maximale hartslag (tijdens de training)

De maximale hartslag is de hoogste hartslag die iemand veilig kan bereiken door de belasting van de training. De volgende formule wordt gebruikt voor het berekenen van de gemiddelde maximale hartslag:

220 - LEEFTIJD. De maximale hartslag varieert van persoon tot persoon.

WAARSCHUWING

- Zorg ervoor dat u tijdens uw training niet boven uw maximale hartslag komt. Als u bij een risicogroep hoort, moet u een arts raadplegen.

Beginner

50-60% van de maximale hartslag

Geschikt voor beginners, mensen die willen afvallen, herstellende patiënten en personen die lange tijd niet getraind hebben. Train minstens drie keer per week, 30 minuten per keer.

Gevorderd

60-70% van de maximale hartslag

Geschikt voor personen die hun conditie willen verbeteren en in stand houden. Train minstens drie keer per week, 30 minuten per keer.

Expert

70-80% van de maximale hartslag

Geschikt voor de fitteste personen die gewend zijn aan langdurige duurtraining.

Gebruik

Hoofdschakelaar (Fig. E-2A)

Het toestel is uitgerust met een hoofdschakelaar om het toestel volledig uit te schakelen.

Starten van het toestel:

- Plaats de stekker in het toestel.
- Plaats de stekker in het stopcontact.
- Zet de hoofdschakelaar in de aan-stand (ON).

The console application will start loading in the following order:

Stage 1: "Tunturi" logo is display for a few seconds.

Stage 2: "Loading..." is blinking in display.

Stage 3: 3 Acoustic beeps will be heard.

The main menu will open in where "Quick start" is selected as default. Trainer is now ready for use.

Stoppen van het toestel:

- Zet de hoofdschakelaar in de uit-stand (OFF).
- Verwijder de stekker uit het stopcontact.
- Verwijder de stekker uit het toestel.

NOTE

- Avoid switching off the equipment when there is a data saving activity, to avoid data to be lost.

Veiligheidssleutel (fig. F-4)

Het toestel is uitgerust met een veiligheidssleutel die juist in de console moet worden geplaatst om het toestel te starten. Als u de veiligheidssleutel uit de console verwijdert, stopt het toestel onmiddellijk.

- Plaats de veiligheidssleutel in de sleuf in de console.
- Zorg ervoor dat de clip van de veiligheidssleutel juist aan uw kleding vastzit. Zorg ervoor dat de clip pas van uw kleding wordt gehaald wanneer de veiligheidssleutel uit de console is verwijderd.

LET OP

- Monitor laat code "TEVREDEN TERUG veiligheidssleutel" zien als veiligheidssleutel niet, of niet juist is geplaatst.

Circuitonderbreker (Fig. E-2B)

Het toestel is uitgerust met een circuitonderbreker die het circuit onderbreekt wanneer de elektrische belasting boven de maximale capaciteit komt. Wanneer dit gebeurt, moet de circuitonderbreker worden ingedrukt.

WAARSCHUWING

- Verwijder voor het indrukken van de circuitonderbreker de stekker uit het toestel.

Als het toestel uitschakelt, gaat u als volgt te werk om het toestel opnieuw op te starten:

- Verwijder de stekker uit het toestel.
- Druk de circuitonderbreker in om het toestel opnieuw op te starten.
- Plaats de stekker in het toestel.

LET OP

- Sommige stroomonderbrekers die binnenshuis worden gebruikt, zijn niet berekend op hoge inschakelstroomstoten die kunnen optreden wanneer de loopband voor de eerste keer wordt ingeschakeld of zelfs tijdens normaal gebruik. Als de loopband de stroomonderbreker activeert (zelfs al heeft deze het juiste stroombereik en is de loopband het enige aangesloten apparaat) maar de stroomonderbreker op de loopband zelf niet wordt geactiveerd, moet u de onderbreker vervangen met een type dat is berekend op hoge inschakelstroomstoten. Dit is geen defect dat onder de garantie valt. Dit is een omstandigheid waarop wij als fabrikant geen invloed hebben.

Uitklappen en inklappen van het toestel (fig. F1-F2)

Het toestel kan worden uitgeklaapt voor gebruik (fig. F1) en ingeklapt voor transport en opslag (fig. F2).

Raadpleeg de illustraties voor de juiste wijze van uitklappen en inklappen van het toestel.

WAARSCHUWING

- Zorg ervoor dat de hellingsgraad van de loopband op 0 is ingesteld alvorens hem op te vouwen. Zo niet zou schade kunnen ontstaan aan het mechanisme.

Afstellen van de steunvoeten

Het toestel is voorzien van 4 steunvoeten. Als het toestel niet stabiel is, kunnen de steunvoeten worden versteld.

- Draai de steunvoeten zo ver in of uit als nodig is om het toestel in een stabiele positie te krijgen.
- Draai de borgmoeren vast om de steunvoeten te vergrendelen..

LET OP

- Het toestel is het meest stabiel wanneer alle steunvoeten volledig zijn ingedraaid. Nivelleer het toestel eerst door alle steunvoeten volledig in te draaien alvorens de nodige steunvoeten uit te draaien

Monitor (fig. E-1)**VOORZICHTIG**

- Houd de console uit de buurt van direct zonlicht.
- Droog het oppervlak van de console wanneer het met zweetdruppels is bedekt.
- Leun niet op de console.
- Raak de display alleen met uw vingertop aan. Raak de display niet aan met uw nagels of een scherp voorwerp.

LET OP

- De console gaat naar standby wanneer het toestel gedurende 4 minuten niet wordt gebruikt.

Knoppen**Enter/ Start**

- Bevestiging sportmodus
- Bevestiging optie onder modus Gebruiker/Instelling
- Bevestiging van werkitem op instellingenscherf
- Bevestiging van ingestelde waarde
- Schakelen op het hoofdscherf tussen bpm/hellingsgraad
- Schakelen op het hoofdscherf tussen video/profiel in de modus T-Road

Back/ Stop (Terug/ Stop)

- Terug naar het vorige venster
- De actieve training stoppen

Gebruiker/ + (omhoog)

- Instelling van de gebruiker openen
- De intensiteit van de workoutmodus verhogen.
Druk eenmaal voor 1% verhoging.
Houd de knop ingedrukt om de intensiteit sneller te verhogen.

OPMERKING

- Het profiel kan niet verkeerd worden geconfigureerd, dus de hoogste voorgeprogrammeerde intensiteit is de schaallimiet.

Selecteren/ - (omlaag)

- Schakelen tussen LED-display
- De intensiteit van de workoutmodus verlagen.
Druk eenmaal voor 1% verlaging.
Houd de knop ingedrukt om de intensiteit sneller te verlagen.

OPMERKING

- Het profiel kan niet verkeerd worden geconfigureerd, dus de laagste voorgeprogrammeerde intensiteit is de schaallimiet.

Snelheid +

- Hiermee wordt de snelheid verhoogd (0,5 ~ 16,0 km/u).
- Druk eenmaal op de knop om de snelheid met 0,1 km/u te verhogen.
- Houd de knop twee seconden ingedrukt om de snelheid sneller te verhogen.
- In de programmeermodus kunt u hiermee door programma's scrollen en waarden wijzigen.

Snelheid -

- Hiermee wordt de snelheid verlaagd (0,5 ~ 16,0 km/u).
- Druk eenmaal op de knop om de snelheid met 0,1 km/u te verlagen.
- Houd de knop twee seconden ingedrukt om de snelheid sneller te verlagen.

- In de programmeermodus kunt u hiermee door programma's scrollen en waarden wijzigen.

Sneltoetsen voor de snelheid:

De sneltoetsen voor de snelheid zijn ingesteld op: 6, 9 en 12 (metrisch 3,7/ 5,6/ 7,5).

Druk bijvoorbeeld op de sneltoets 9 om de snelheid te wijzigen naar 9 km/u.

Makkelijk toegankelijke toetsen voor de snelheid op de handgreep:

- + Hetzelfde als "Snelheid +"
- - Hetzelfde als "Snelheid -"

Helling +

- Hiermee wordt de hellingsgraad verhoogd (0 ~ 15 +1).
- In de programmeermodus kunt u hiermee door programma's scrollen en waarden wijzigen.

Helling -

- Hiermee wordt de hellingsgraad verlaagd (0 ~ 15 -1).
- In de programmeermodus kunt u hiermee door programma's scrollen en waarden wijzigen.

Sneltoetsen voor de hellingsgraad:

De sneltoetsen voor de hellingsgraad zijn ingesteld op 0, 5 en 10. Druk bijvoorbeeld op de sneltoets 5 om de hellingsgraad te wijzigen naar 5.

Makkelijk toegankelijke toetsen voor de hellingsgraad op de handgreep:

- + : hetzelfde als "Helling +"
- - : hetzelfde als "Helling -"

Uitleg van de items op het display (fig. H)

Snelheid

- Toont de actuele snelheid van de looptrainer in de workoutmodus.

Helling

- Toont de actuele hellingsgraad van de looptrainer in de workoutmodus.

Afstand

- Toont de gelopen afstand in de workoutmodus.
- Toont de resterende afstand bij een workout in de aftelmodus.

Tijd

- Toont de gelopen tijd in de workoutmodus.
- Toont de resterende tijd bij een workout in de aftelmodus.

Stap

- Toont het aantal stappen dat u hebt gelopen/gerend tijdens uw workout.

Hart

- Toont de hartslag in de workoutmodus, of "P" wanneer er geen hartslag wordt geregistreerd.

Calorieën/ Energie

- Toont de verbrande kilocalorieën in de workoutmodus.
- Toont de resterende kilocalorieën bij een workout in de aftelmodus.

⚠️ OPMERKING

- Deze gegevens zijn een richtlijn voor het vergelijken van verschillende trainingssessies en kunnen niet tijdens medische behandelingen worden gebruikt.

⚠️ OPMERKING

- Het LED-display voor tijd/stap, hart/helling en calorieën/afstand scant elke 5 seconden.

Algemene profielweergave

- De onderste lijn van links naar rechts geeft de tijd aan in minuten (0~30). Deze waarde wordt elke 15 minuten bijgewerkt tijdens een workout.
- De linkerbalk toont de hellingsgraad of bpm-waarde. Druk tijdens een workout op de knop "Enter/ Start" om te schakelen tussen de hellingsgraad en bpm-waarde. (De hellingsgraad is blauw en de bpm-waarde is rood.)
- De rechterbalk toont de snelheid.
- De witte stippellijn geeft de huidige positie aan en verschuift naar rechts tijdens de workout. Het workoutscherm kan maximaal 5 uur aan gegevens bevatten.
- De oranje curve toont de daadwerkelijke hartslag van de gebruiker en verandert wanneer de hartslag omhoog en omlaag gaat.

USB-functie

De USB-poort kan alleen worden gebruikt voor onderhoudswerkzaamheden, zoals het uitvoeren van een software-update via een USB-drive.

⚠️ OPMERKING

- Als de looptrainer goed werkt en er geen reden is om de functionaliteit van de software in twijfel te trekken, wordt u afgeraden de software bij te werken, tenzij er nieuwe functies beschikbaar zijn.
- Voordat u de software bijwerkt, dient u contact op te nemen met het servicecentrum voor het meest recente updatebestand.

Het menu Programma's

Snelle start

- Gebruik de knoppen "Snelheid & Helling + / -" om in het hoofdmenu te navigeren en "Snelle start" te selecteren.
- Druk op "Enter/ Start" om te bevestigen. De snelstartmodus wordt na 3 seconden geactiveerd.
- De trainer begint zonder verdere configuratie op de laagste snelheid.

In de workoutmodus

- U kunt op elk gewenst moment de sneltoetsen voor de snelheid gebruiken om de snelheid aan te passen.
- U kunt op elk gewenst moment de sneltoetsen voor de hellingsgraad gebruiken om de hellingsgraad aan te passen.

Workout onderbreken/beëindigen

U kunt op elk gewenst moment op de knop "Terug/ Stop" drukken om de actieve workout te stoppen. De trainer wordt onderbroken en u ziet 3 opties op het display. Gebruik "Snelheid & Helling + / -" om de gewenste optie te selecteren.

Doorgaan

Kies "Doorgaan" om terug te keren naar uw workout. Op het display wordt 3 seconden afgeteld voordat de onderbroken workout wordt hervat.

Afsluiten

Kies "Afsluiten" om uw workout stop te zetten. Op het display ziet u de gegevens van de laatste sessie. Dit is een overzicht van uw workout.

Opslaan & afsluiten

Kies "Opslaan & afsluiten" en sla het bestand op in "Eigen trainingen".

- Onder de knop "Opslaan & afsluiten" ziet u een pop-upvenster waarin u de bestandsnaam kunt invoeren.
- Druk op de knop "Enter/ Start" om de tekstbewerkingsoptie te openen met daarin een "A".

- Gebruik de knoppen "Snelheid & Helling + / -" om het teken te veranderen. Bevestig het teken met de knop "Enter/ Start" en ga naar het volgende teken.
- Voltooi de bestandsnaam door deze procedure te herhalen.
- Kies "V" als u de bestandsnaam hebt voltooid. Op het display ziet u de gegevens van de laatste sessie. Dit is een overzicht van uw workout.

⚠ OPMERKING

- Als u trainingsgegevens wilt opslaan, moet u 10 minuten of 3 km aan trainingsgegevens hebben opgebouwd.
- U kunt geen trainingsgegevens opslaan tijdens een fitnessstest of in de modus T-Road.

Doelhartslag

- Gebruik de knoppen "Snelheid & Helling + / -" om in het hoofdmenu te navigeren en "Doelhartslag" te selecteren.
- Druk op "Enter/ Start" om te bevestigen en het instellingenschermb te openen.

Programmeerschermb voor de doelhartslag

Op het display ziet u de melding "doelhartslag bereik 80 - 220 bpm".

- Gebruik de knoppen "Snelheid & Helling + / -" om de gewenste doelhartslag in te stellen en bevestig met "Enter/ Start".
- Wanneer u deze parameter wijzigt, wordt het maximale hartslagpercentage van de geselecteerde gebruikersinstelling automatisch bijgewerkt op basis van de leeftijd.

Programmeerschermb voor doel trainingsduur

- Gebruik de knoppen "Snelheid & Helling + / -" om een doel in te stellen voor Energie, Tijd of Afstand en bevestig met "Enter/ Start".
 - Gebruik de knoppen "Snelheid & Helling + / -" om het gewenste doel voor de duur in te stellen en bevestig met "Enter/ Start".
- | | | | |
|----------|------------------|---------------|------|
| Energie: | Bereik 50 ~ 2000 | Standaard 200 | ± 50 |
| Tijd: | Bereik 10 ~ 180 | Standaard 200 | ± 30 |
| Afstand: | Bereik 3 ~ 100 | Standaard 10 | ± 1 |
- Druk op "Enter/ Start" om te bevestigen. De modus "Doelhartslag" wordt na 3 seconden geactiveerd.

Het programma "Doelhartslag" is gebaseerd op de hartslag. De trainingsintensiteit wordt automatisch aangepast aan de hartslag van de gebruiker en de voorgeprogrammeerde doelhartslag. Als de hartslag van de gebruiker lager is dan het doel, wordt de intensiteit verhoogd. Als de hartslag van de gebruiker hoger is dan het doel, wordt de intensiteit verlaagd.

In de workoutmodus

- U kunt op elk gewenst moment de sneltoetsen voor de snelheid gebruiken om de snelheid aan te passen.
- U kunt op elk gewenst moment de sneltoetsen voor de hellinggraad gebruiken om de hellinggraad aan te passen.

⚠ OPMERKING

- Wanneer u de intensiteit handmatig aanpast, gebruikt de console de instellingen voor de doelhartslag.
- U ziet de melding "Geen hartslag" als de hartslag van de gebruiker niet wordt gedetecteerd tijdens de workout.

Raadpleeg de desbetreffende sectie in deze handleiding om de workout te onderbreken of te beëindigen.

Manueel

- Gebruik de knoppen "Snelheid & Helling + / -" om in het hoofdmenu te navigeren en "Manueel" te selecteren.
- Druk op "Enter/ Start" om te bevestigen en het instellingenschermb te openen.

Programmeerschermb voor doel trainingsduur

- Gebruik de knoppen "Snelheid & Helling + / -" om een doel in te stellen voor Energie, Tijd of Afstand en bevestig met "Enter/ Start".
 - Gebruik de knoppen "Snelheid & Helling + / -" om het gewenste doel voor de duur in te stellen en bevestig met "Enter/ Start".
- | | | | |
|----------|------------------|---------------|------|
| Energie: | Bereik 50 ~ 2000 | Standaard 200 | ± 50 |
| Tijd: | Bereik 10 ~ 180 | Standaard 200 | ± 30 |
| Afstand: | Bereik 3 ~ 100 | Standaard 10 | ± 1 |
- Druk op "Enter/ Start" om te bevestigen. De modus "Manueel" wordt na 3 seconden geactiveerd.

De intensiteit wordt automatisch bepaald door de voorgeprogrammeerde profielprogramma's.

In de workoutmodus

- U kunt op elk gewenst moment de sneltoetsen voor de snelheid gebruiken om de snelheid aan te passen.
- U kunt op elk gewenst moment de sneltoetsen voor de hellinggraad gebruiken om de hellinggraad aan te passen.

Raadpleeg de desbetreffende sectie in deze handleiding om de workout te onderbreken of te beëindigen.

Voorgeprogrammeerde programma's

Gebruik de knoppen "Snelheid & Helling + / -" om in het hoofdmenu te navigeren en "Voorgeprogrammeerde programma's" te selecteren.

- Druk op "Enter/ Start" om te bevestigen en het selectieschermb voor de programma's te openen.
- Gebruik de knoppen "Snelheid & Helling + / -" om een voorgeprogrammeerd programma te selecteren. 5 profielen zijn gebaseerd op de snelheid. Het grafische voorbeeld van een snelheidsprofiel is groen. 5 profielen zijn gebaseerd op de hellinggraad. Het grafische voorbeeld van een hellingprofiel is blauw. Druk op "Enter/ Start" om te bevestigen en het instellingenschermb te openen.

Programmeerschermb voor doel trainingsduur

- Gebruik de knoppen "Snelheid & Helling + / -" om een doel in te stellen voor Energie, Tijd of Afstand en bevestig met "Enter/ Start".
 - Gebruik de knoppen "Snelheid & Helling + / -" om het gewenste doel voor de duur in te stellen en bevestig met "Enter/ Start".
- | | | | |
|----------|------------------|---------------|------|
| Energie: | Bereik 50 ~ 2000 | Standaard 200 | ± 50 |
| Tijd: | Bereik 10 ~ 180 | Standaard 200 | ± 30 |
| Afstand: | Bereik 3 ~ 100 | Standaard 10 | ± 1 |
- Druk op "Enter/ Start" om te bevestigen. Het geselecteerde voorgeprogrammeerde profiel wordt na 3 seconden geactiveerd.

In de workoutmodus

- U kunt op elk gewenst moment de sneltoetsen voor de snelheid gebruiken om de snelheid aan te passen.
- U kunt op elk gewenst moment de sneltoetsen voor de hellinggraad gebruiken om de hellinggraad aan te passen.
- Gebruik de knop "Gebruiker/ + (omhoog)" of "Selecteren/ - (omlaag)" om het volledige programmaprofiel omhoog of omlaag te schalen.

⚠ OPMERKING

- Als u de sneltoetsen voor de snelheid gebruikt om de snelheid in een snelheidsprofiel handmatig aan te passen, wordt de wijziging alleen toegepast op de actieve profielsectie.
- Als u de sneltoetsen voor de hellinggraad gebruikt om de hellinggraad in een hellingprofiel handmatig aan te passen, wordt de wijziging alleen toegepast op de actieve profielsectie.
- De maximale/minimale schaaloptie is gerelateerd aan de hoogste/laagste profielinstellingen omdat het profiel niet verandert door de schaal.

Raadpleeg de desbetreffende sectie in deze handleiding om de workout te onderbreken of te beëindigen.

Eigen trainingen

Gebruik de knoppen "Snelheid & Helling + / -" om in het hoofdmenu te navigeren en "Eigen trainingen" te selecteren.

- Druk op "Enter/ Start" om te bevestigen en het selectiescherm voor de programma's te openen.

⚠ OPMERKING

- Als er geen opgeslagen training is, ziet u de melding "Geen opgeslagen trainingen gevonden".
- Gebruik de knoppen "Snelheid & Helling + / -" om een opgeslagen eigen training te selecteren. De beschikbare snelheidsprofielen zijn als volgt te herkennen: het grafische voorbeeld van een snelheidsprofiel is groen. De beschikbare hellingsprofielen zijn als volgt te herkennen: het grafische voorbeeld van een hellingsprofiel is blauw. Druk op "Enter/ Start" om te bevestigen en het instellingenscherm te openen. Gebruik de knoppen "Snelheid & Helling + / -" om het volgende te selecteren: "Opnieuw", "Bewerken" of "Verwijderen".

Opnieuw

- Selecteer "Opnieuw". Druk op "Enter/ Start" om te bevestigen. Het geselecteerde profiel wordt na 3 seconden geactiveerd als een programma.

Bewerken

- Gebruik de knoppen "Snelheid & Helling + / -" om het gewenste doel voor de duur in te stellen en bevestig met "Enter/ Start".
Tijd: Bereik 10 ~ 180 Standaard 200 ± 30
- Druk op "Enter/ Start" om te bevestigen. Het geselecteerde voorgeprogrammeerde profiel wordt na 3 seconden geactiveerd.

Verwijderen

- Druk op "Enter/ Start" om te bevestigen. Het geselecteerde eigen profiel wordt zonder extra waarschuwing verwijderd.

In de workoutmodus

- U kunt op elk gewenst moment de sneltoetsen voor de snelheid gebruiken om de snelheid aan te passen.
- U kunt op elk gewenst moment de sneltoetsen voor de hellingsgraad gebruiken om de hellingsgraad aan te passen.
- Gebruik de knop "Gebruiker/ + (omhoog)" of "Selecteren/ - (omlaag)" om het volledige programmaprofiel omhoog of omlaag te schalen.

⚠ OPMERKING

- Als u de sneltoetsen voor de snelheid gebruikt om de snelheid in een snelheidsprofiel handmatig aan te passen, wordt de wijziging alleen toegepast op de actieve profielsectie.
- Als u de sneltoetsen voor de hellingsgraad gebruikt om de hellingsgraad in een hellingsprofiel handmatig aan te passen, wordt de wijziging alleen toegepast op de actieve profielsectie.
- De maximale/minimale schaaloptie is gerelateerd aan de hoogste/laagste profielinstellingen omdat het profiel niet verandert door de schaal.

Raadpleeg de desbetreffende sectie in deze handleiding om de workout te onderbreken of te beëindigen.

Fitnessstest

Gebruik de knoppen "Snelheid & Helling + / -" om in het hoofdmenu te navigeren en "Fitnessstest" te selecteren.

- Druk op "Enter/ Start" om te bevestigen en het selectiescherm voor de programma's te openen.

⚠ OPMERKING

- Een fitnessstest kan alleen worden gestart als er een gebruiker is geselecteerd. Als er geen gebruiker is geselecteerd, wordt dit aangegeven in de console.
 - De resultaten van de fitnessstest worden opgeslagen in het bestand "Gebruikerslogboek".
- Druk op "Enter/ Start" om te bevestigen. De fitnessstest wordt na 3 seconden geactiveerd.

In de workoutmodus

- Om de fitnessstest te voltooien, moet u minimaal 12 minuten lopen.
- In deze 12 minuten kunt u de sneltoetsen voor de snelheid gebruiken om de snelheid aan te passen en uw grenzen te verleggen. Hoe verder u loopt, hoe hoger uw score zal zijn.
- Voor het berekenen van de resultaten van de fitnessstest moet uw hartslag worden gedetecteerd.

De fitnessstest beëindigen

- De test wordt automatisch voltooid na 12 minuten en op het display ziet u de gegevens van de laatste sessie. Dit is een overzicht van uw workout.
- De resultaten van de fitnessstest worden opgeslagen in het bestand "Gebruikerslogboek".

⚠ OPMERKING

- Als de test eerder wordt afgebroken, mislukt de test.
- Op het display wordt aangegeven als er geen hartslag wordt gedetecteerd.

T-Road

Gebruik de knoppen "Snelheid & Helling + / -" om in het hoofdmenu te navigeren en "T-Road" te selecteren.

- Druk op "Enter/ Start" om te bevestigen en het selectiescherm voor de programma's te openen.
- Gebruik de knoppen "Snelheid & Helling + / -" om een van de 3 beschikbare T-Road-profielen te selecteren.
- Druk op "Enter/ Start" om te bevestigen. Het geselecteerde T-Road-profiel wordt na 3 seconden geactiveerd.

In de workoutmodus

- Het doel van de trainingsduur van T-Road-profielen is een vaste waarde die gebaseerd is op de afstand van het geselecteerde profiel.
- Ook de hellingsgraad is gebaseerd op het geselecteerde profiel. Het aanpassen van de hellingsgraad heeft dus geen effect.
- U kunt op elk gewenst moment de sneltoetsen voor de snelheid gebruiken om de snelheid aan te passen.
- Gebruik de knop "Enter/ Start" om te schakelen tussen film- en profielweergave. Filmweergave: in deze weergave ziet u een parcours. De snelheid van de film is gerelateerd aan de loopsnelheid. De hellingsgraad van de omgeving is gerelateerd aan de hellingsgraad van de looptrainer. Profielweergave: in deze weergave ziet u de parameters van het profiel.

Raadpleeg de desbetreffende sectie in deze handleiding om de workout te onderbreken of te beëindigen.

Bluetooth-modus

⚠ OPMERKING

- Deze console kan via Bluetooth (iOS & Android) verbinding maken met een app op een smart device.
- Breng de Bluetooth-verbinding alleen tot stand via de verbindingmodus van de app die op uw smart device is geïnstalleerd.

Gebruik de knoppen "Snelheid & Helling + / -" om in het

hoofdmenu te navigeren en "Bluetooth-modus" te selecteren.

- Druk op "Enter/ Start" om te bevestigen, het selectiescherm voor de programma's te openen en over te schakelen naar de BT-module.

Het BT-adres wordt weergegeven.

- Druk op de knop "Start/ Stop" om weergave van de BT-verbindingsmodus af te sluiten en de BT-module weer uit te schakelen als er niet is gepaard.

⚠ OPMERKING

- Tunturi biedt alleen een optie voor het verbinden van de fitnessconsole via een Bluetooth-verbinding. Om deze reden kan Tunturi niet aansprakelijk worden gesteld voor beschadiging van of storingen aan producten van derden.
- Raadpleeg de website voor meer informatie: www.tunturi.com

Gebruiker

Druk op "Gebruiker/ + (omhoog)" om het menu Gebruiker te openen.

- Gebruik de knoppen "Snelheid & Helling + / -" om een van de 6 beschikbare submenu's te selecteren.
- Druk op "Enter/ Start" om te bevestigen en het geselecteerde submenu te openen.

Gebruikerslogboek

Het gebruikerslogboek wordt geopend met daarin de workoutgegevens van uw laatste sessie.

- Druk op "Enter/ Start" om de totalen van uw persoonlijke gebruikersgegevens te bekijken.
- Druk op "Enter/ Start" om het menu "Gebruikerslogboek" af te sluiten.

Gebruikersinstellingen

In het menu "Gebruikersinstellingen" kunt u uw persoonlijke voorkeuren instellen en belangrijke informatie bekijken.

- "Contrast" instellen: de helderheid (standaardwaarde=50%)
- "Totale afstand" bekijken: de totale afstand van het apparaat
- "Totale tijd" bekijken: de totale gebruiksduur van het apparaat
- "Huidige versie" bekijken: de momenteel geïnstalleerde softwareversie
- "Software-upgrade" instellen: de software-updatemodus
Ja: de software kan worden bijgewerkt via USB. Nee: de software kan niet worden bijgewerkt via USB.
- "Taal" instellen: de taalinstelling aangegeven met een vlag
- "Volume" instellen: de instelling van knopgeluiden: aan (Ja) of uit (Nee). Sommige geluidsmeldingen kunnen niet worden uitgeschakeld.

Instellingen wijzigen

- Gebruik de knoppen "Snelheid & Helling + / -" om een van de aanpasbare menuparameters te selecteren.
- Druk op "Enter/ Start" om te bevestigen en de bewerkingsmodus te activeren.
- Gebruik de knoppen "Snelheid & Helling + / -" om de parameter te wijzigen.
- Druk op "Enter/ Start" om te bevestigen.
- Druk op "Terug/ Stop" om het menu "Gebruikersinstellingen" af te sluiten.

Gebruikersinstellingen

In het menu "Gebruikersinstellingen" kunt u de parameters voor de gebruikersinstellingen wijzigen als deze niet (langer) correct zijn. Raadpleeg de sectie "Gebruiker maken" voor informatie over het instellen en opslaan van de parameters voor de gebruikersinstellingen.

- Druk op "Terug/ Stop" om het menu "Gebruikersinstellingen" af te sluiten.

Gebruiker verwijderen

Via het menu "Gebruikersinstellingen" kunt u een gebruiker verwijderen uit de opgeslagen parameters voor de gebruikersinstellingen.

- Gebruik de knoppen "Snelheid & Helling + / -" om de gebruiker te selecteren die u wilt verwijderen.
- Druk op "Enter/ Start" om te bevestigen. Het geselecteerde eigen profiel wordt zonder extra waarschuwing verwijderd.
- Druk op "Terug/ Stop" om het menu "Gebruikersinstellingen" af te sluiten.

Gebruiker wijzigen

In het menu "Gebruiker wijzigen" kunt u schakelen tussen de gebruikers die beschikbaar zijn in de gebruikersbibliotheek.

- Gebruik de knoppen "Snelheid & Helling + / -" om de gewenste gebruiker te selecteren.
- Druk op "Enter/ Start" om de weergegeven gebruiker te bevestigen.
- Druk op "Terug/ Stop" om
- Druk op "Terug/ Stop" om het menu "Gebruikersinstellingen" af te sluiten.

Gebruiker maken

Druk op "Gebruiker/ + (omhoog)" om het menu "Gebruiker maken" te openen.

- Gebruik de knoppen "Snelheid & Helling + / -" om een van de 9 beschikbare gebruikersparameters te selecteren.
- Druk op "Enter/ Start" om te bevestigen en het wijzigingsvenster voor de geselecteerde gebruikersparameter te openen.

Gebruikersnaam

- Druk op de knop "Enter/ Start" om de tekstbewerkingsoptie te openen met daarin een "A".
- Gebruik de knoppen "Snelheid & Helling + / -" om het teken te veranderen. Bevestig het teken met de knop "Enter/ Start" en ga naar het volgende teken.
- Voltooi de bestandsnaam door deze procedure te herhalen.
- Selecteer "✓" als u de bestandsnaam hebt voltooid. Op het display ziet u de opgeslagen naam en keert u terug naar het menu "Gebruiker maken".

Weergave-eenheden

- Gebruik de knoppen "Snelheid & Helling + / -" om de vereiste instellingen voor eenheden te selecteren.

	Snelheid	Afstand	Lengte	Gewicht
Metrisch	Km/u	Km	Cm	Kg
Imperiaal	Mph	Mijl	Ft/inch	Lbs

- Druk op "Enter/ Start" om uw instelling te bevestigen en terug te keren naar het menu "Gebruiker maken".

Display

- Gebruik de knoppen "Snelheid & Helling + / -" om de vereiste displayinstelling te selecteren.
Omhoog: de voorgeprogrammeerde tijd/afstand wordt verhoogd.
Omlaag: de voorgeprogrammeerde tijd/afstand wordt verlaagd.
- Druk op "Enter/ Start" om uw instelling te bevestigen en terug te keren naar het menu "Gebruiker maken".

Geslacht

- Gebruik de knoppen "Snelheid & Helling + / -" om de vereiste instellingen voor het geslacht te selecteren.
- Druk op "Enter/ Start" om uw instelling te bevestigen en terug te keren naar het menu "Gebruiker maken".

Leeftijd

- Gebruik de knoppen "Snelheid & Helling + / -" om de instellingen voor de leeftijd te wijzigen.
Bereik: 10 ~ 99 ± 1
- Druk op "Enter/ Start" om uw instelling te bevestigen en terug te keren naar het menu "Gebruiker maken".

Lengte

- Gebruik de knoppen "Snelheid & Helling + / -" om de instellingen voor de lengte te wijzigen.
Bereik: Metrisch: 110 ~ 210 ± 1 / Imperiaal: 3'7 ~ 6'10 ± 0'1
- Druk op "Enter/ Start" om uw instelling te bevestigen en terug te keren naar het menu "Gebruiker maken".

Gewicht

- Gebruik de knoppen "Snelheid & Helling + / -" om de instellingen voor het gewicht te wijzigen.
Metrisch: 30 ~ 150 ± 1 / Imperiaal: 66 ~ 330 ± 1
- Druk op "Enter/ Start" om uw instelling te bevestigen en terug te keren naar het menu "Gebruiker maken".

Max. hartslag

De parameter "Max. hartslag" is een waarde die automatisch wordt berekend op basis van uw leeftijd en geslacht. U kunt echter ook een persoonlijke limiet instellen.

Man: 220 - leeftijd is Max. hartslag

Vrouw: 226 - leeftijd is Max. hartslag

- Gebruik de knoppen "Snelheid & Helling + / -" om de instellingen voor de maximale hartslag te wijzigen.
Bereik: 80 ~ 220 ± 1
- Druk op "Enter/ Start" om uw instelling te bevestigen en terug te keren naar het menu "Gebruiker maken".

Max. snelheid

- Gebruik de knoppen "Snelheid & Helling + / -" om de instellingen te wijzigen.
Metrisch: 0,5 ~ 16,0 ± 0,1 / Imperiaal: 0,3 ~ 10,0 ± 0,1
- Druk op "Enter/ Start" om uw instelling te bevestigen en terug te keren naar het menu "Gebruiker maken".

OPMERKING

- De ingestelde maximale snelheid wordt gebruikt als maximale snelheid voor de looptrainer in zowel de manuele modus als de programmaprofielen.

Garantie**Garantievoorwaarden**

De consument ontleent wettelijke rechten aan de van toepassing zijnde nationale wetgeving aangaande de handel in consumentengoederen en de garantie zal deze rechten niet beperken.

De "Garantie voor de Eigenaar" geldt alleen dan wanneer het toestel wordt gebruikt in de door Tunturi New Fitness BV voor dat toestel toegestane gebruiksomgeving. Voor elk toestel wordt de toegestane gebruiksomgeving beschreven in de gebruiksaanwijzing van het toestel.

Garantievoorwaarden

De garantievoorwaarden gaan in vanaf de datum van aankoop. Deze kunnen per land verschillen. Vraag in de winkel bij u in de buurt naar de garantievoorwaarden.

Garantiedekking

In geen enkele omstandigheid zal Tunturi New Fitness BV of een wederverkoper van Tunturi aansprakelijk zijn voor eventuele indirecte schade geleden door de koper, zoals verlies van gebruiksruimte of inkomstenderving of andere indirecte economische gevolgen.

Garantiebeperkingen

De garantie dekt defecten van het toestel die het gevolg zijn van materiaalfouten of onjuist uitgevoerd werk, mits het toestel zijn originele samenstelling heeft. De garantie betreft alleen defecten die blijken tijdens normaal gebruik overeenkomstig de meegeleverde gebruiksaanwijzing, mits de montage-, onderhouds- en gebruiksaanwijzingen van Tunturi zijn opgevolgd. Tunturi New Fitness BV en zijn wederverkopers zijn niet aansprakelijk voor defecten tengevolge van factoren waarop zij geen invloed kunnen uitoefenen.

De garantie betreft alleen de eerste eigenaar van het toestel en is alleen geldig in landen waar een geautoriseerde importeur van Tunturi New Fitness BV is gevestigd. De garantie betreft geen trainingstoestellen of onderdelen die zijn gewijzigd zonder toestemming van Tunturi New Fitness BV. De garantie dekt geen defecten tengevolge van normale slijtage, onjuist gebruik, gebruik in omstandigheden waarvoor het toestel niet is bedoeld, corrosie of schade ontstaan tijdens laden of transport.

De garantie geldt niet voor geluiden die ontstaan door het gebruik, als ze het gebruik van het apparaat niet wezenlijk belemmeren en niet veroorzaakt zijn door een defect aan het apparaat.

De garantie omvat ook geen onderhoudsmaatregelen, zoals reiniging, smering of normale inspectie van onderdelen, noch dergelijke montagegeroepzaamheden die de klant zelf kan uitvoeren en die geen speciale demontage en montage van het toestel vereisen. Dit soort maatregelen zijn bijv. vervanging van monitoren, pedalen of andere vergelijkbare eenvoudige onderdelen. Garantieherstel dat is uitgevoerd door een ander dan de geautoriseerde Tunturi-vertegenwoordiger wordt niet vergoed. De garantie geldt alleen voor normaal, voorgeschreven gebruik van het product zoals beschreven in de handleiding.

Reiniging en onderhoud**WAARSCHUWING**

- Verwijder voor reiniging of onderhoud de stekker uit het stopcontact.
- Gebruik geen oplosmiddelen om het toestel te reinigen.
- Blokkeer de ventilatieopeningen niet. Houd de ventilatieopeningen vrij van stof, vuil en andere belemmeringen.
- Reinig het toestel na elk gebruik met een zachte absorberende doek.
- Reinig de zichtbare onderdelen van het toestel met een stofzuiger met een kleine zuigmond.
- Controleer regelmatig of alle schroeven en moeren goed vast zitten.

Band en loopvlak

De loopband maakt gebruik van een zeer efficiënt loopvlak met lage wrijving. De prestaties worden gemaximaliseerd wanneer het loopvlak zo schoon mogelijk wordt gehouden. Gebruik een zachte, vochtige doek of keukenpapier om de rand van de band te reinigen en het gedeelte tussen de bandrand en het frame. Probeer ook zo ver mogelijk onder de bandrand te reinigen. Dit moet u eenmaal per maand doen om de levensduur van de band en het loopvlak te verlengen. Gebruik alleen water, geen reinigingsmiddel of schurend middel. Gebruik een oplossing van milde zeep en water en een nylon borstel om de bovenkant van de band met structuur te reinigen. Laat de band drogen voordat u deze gebruikt.

Smeren (fig. F-4)

De riem van de looptrainer moet regelmatig op smering worden gecontroleerd. Na elke 300 uur wordt een herinnering weergegeven. In het venster TIME wordt 'OIL' weergegeven en elke 10 seconden klinkt een akoestisch signaal om u te herinneren aan de controle. Volg de onderstaande controleprocedure en schakel de melding 'OIL' en het akoestische waarschuwingssignaal uit door tijdens het signaal de knop STOP ten minste 3 seconden ingedrukt te houden.

⚠ WAARSCHUWING

- Verwijder voor het smeren de stekker uit het stopcontact.

⚠ VOORZICHTIG

- We raden aan de smering van de loopmat minimaal één keer per maand te controleren, omdat meer factoren dan alleen de tijd van invloed kunnen zijn voor de smeringconditie van uw loopmat.
 - Smeer de loopmat alleen indien nodig. Als u te veel smeervet aanbrengt, zal de loopmat door te weinig wrijving snel gaan slippen.
- Neem een stevige positie op de loopmat aan.
 - Houd de voorhandgreep vast en duw de loopmat met uw voeten vooruit en achteruit. De loopmat moet soepel en gelijkmatig lopen zonder geluid te maken.
 - Als de loopmat niet soepel en gelijkmatig loopt of als de loopmat helemaal niet beweegt, raak dan met uw vingertoppen de onderkant van de loopmat aan om de smering te controleren:
 - Als u smeermiddel voelt of als uw vingertoppen glimmen, dan bevindt zich nog voldoende smering op de loopmat.
 - Als u geen smeervet voelt of als uw vingertoppen stoffig of ruw aanvoelen, breng dan smeermiddel (15-20 ml) aan in het midden van de loopmat onder de band zelf en laat het toestel minstens 5 minuten bij 5 km/h lopen.
 - Klap het toestel na smering niet in voordat het minstens 20 minuten gebruikt is voor een training met een snelheid van minstens 5 km/h. Het smeermiddel wordt gelijkmatig over de loopmat verdeeld.

Stof op band

Dit treedt op tijdens normaal eerst gebruik of totdat de band is gestabiliseerd. Verwijder het stof met een vochtige doek om ophoping van stof te minimaliseren.

Algemene reiniging

Vuil, stof en dierenharen kunnen luchtinlaten blokkeren en zich op de band ophopen. U moet maandelijks onder de loopband stofzuigen om ophoping te voorkomen. U moet tweemaal per jaar de zwarte motorkap verwijderen en eventueel opgehoopt vuil met de stofzuiger verwijderen.

HAAL EERST DE STEKKER UIT HET STOPCONTACT VOORDAT U DIT DOET.

Bandafstellingen

U moet afstellingen doorvoeren bij de achterste roller. De afstelbouten bevinden zich aan het einde van de staprails in de eindkapjes,

- Draai de achterste rollerbouten net genoeg aan (rechtsom) om verschuiving bij de voorste roller te voorkomen. Draai beide afstelbouten voor de bandspanning aan in stappen van 1/4 slag en controleer op juiste spanning door op de band te lopen met lage snelheid. Zorg dat de band niet verschuift. Blijf de bouten aandraaien totdat de band niet meer verschuift.
- Als u van mening bent dat de bandspanning goed is maar de band nog steeds verschuift, wordt het probleem mogelijk veroorzaakt door een losse motoraandrijfriem onder de voorkap.
- Niet te strak aandraaien Als u de bouten te strak aandraait, raakt de band beschadigt en zullen de lagers vroegtijdig slijten.

Bandloop afstellen:

De prestaties van het apparaat zijn afhankelijk van het feit of het frame op een redelijk vlak oppervlak staat. Als het frame niet waterpas staat, kunnen de voor- en achterrollers niet parallel draaien, waardoor de band constant opnieuw moet worden afgesteld.

Het apparaat is zo ontworpen dat de band tijdens gebruik zoveel mogelijk in het midden blijft. Het is bij sommige banden normaal dat deze naar de zijkant bewegen terwijl de band loopt zonder dat er iemand op staat. Na enkele minuten van gebruik zal de band de neiging hebben zich te centreren. Als tijdens gebruik de band nog steeds naar de zijkant beweegt, is afstelling noodzakelijk.

UITZONDERING:

tijdens revalidatie, waarbij het ene been van de gebruiker sterker is dan het andere, kan het voorkomen dat de band naar de zijkant beweegt. In dat geval moet u de bandloop niet opnieuw afstellen, tenzij de band zich bij normaal gebruik niet centreert.

Bandloop instellen (fig. F-5)

Het apparaat wordt geleverd met een inbussleutel om de achterste roller af te stellen. Voer afstellingen uitsluitend aan vanaf de linkerkant. Stel de bandsnelheid in op circa 3 tot 5 km/u.

Houd er rekening mee dat een kleine verandering een groot verschil kan maken!

Draai de bout rechtsom om de band naar rechts te verplaatsen; draai de bout linksom om de band naar links te verplaatsen. Draai de bout slechts 1/4 slag en wacht enkele minuten terwijl de band zichzelf afstelt. Blijf de bout draaien in stappen van 1/4 slag totdat de band zich stabiliseert in het midden van het loopvlak.

De bandloop moet mogelijk periodiek opnieuw worden afgesteld, afhankelijk van gebruik en loop-/renkarakteristieken. Sommige gebruikers zullen een ander effect hebben op de bandloop. Ga ervan uit dat u afstellingen zult moeten doorvoeren om de band te centreren. Afstellingen zullen steeds minder een onderhoudsprobleem worden naarmate de band meer wordt gebruikt. Juiste bandloop is de verantwoordelijkheid van de eigenaar en is van toepassing op alle loopbanden.

⚠ LET OP

- Schade aan de band als gevolg van onjuiste afstelling van bandloop/bandspanning valt niet onder de garantie.

Gebruiksstorings

Ondanks voortdurende kwaliteitscontroles, kunnen er defecten of storings optreden die het gevolg zijn van het niet goed functioneren van onderdelen die in de looptrainer zijn gebruikt. In de meeste gevallen is het onnodig om het gehele apparaat ter reparatie aan te bieden, aangezien de storing meestal kan worden opgelost door het vervangen van het defecte onderdeel.

Mochten er storings optreden bij het gebruik van de trainer, neem dan onmiddellijk contact op met uw Tunturi dealer. Vermeldt daarbij altijd het model en het serienummer van uw Tunturi trainer, de eventuele storingscode en door wie de trainer is geïnstalleerd.

Vermeldt bij het bestellen van onderdelen het model, het serienummer van het apparaat en het nummer van het onderdeel. Op de laatste pagina's van deze gids vindt u de onderdelenlijst.

Foutcodes

Als de display een foutcode toont (aangegeven met "E" + nummer), start dan het toestel opnieuw op en controleer of de foutcode nog steeds op de display verschijnt. Als de display nog steeds de foutcode toont, neem dan onmiddellijk contact op met de dealer.

Transport en opslag

⚠ WAARSCHUWING

- Verwijder voor reiniging of onderhoud de stekker uit het stopcontact.
- Draag en verplaats het toestel met minstens twee personen.
- Zorg ervoor dat zich geen andere personen of voorwerpen onder het toestel bevinden.
- Zorg er bij het inklappen van het toestel voor dat u hoort dat het toestel op zijn plaats vergrendelt ter voorkoming dat het toestel omlaag komt.

⚠ VOORZICHTIG

- Zorg er voor het inklappen van het toestel voor dat de helling van het toestel 0% is. Als de helling niet 0% is, wordt het mechanisme door het inklappen beschadigd.
- Verplaats het toestel zoals afgebeeld (fig. F3). Verplaats het toestel en zet het voorzichtig neer. Zorg voor een beschermende laag onder het toestel om schade aan het vloeroppervlak te voorkomen. Verplaats het toestel voorzichtig over een ongelijke ondergrond. Breng het toestel niet met behulp van de wielen naar boven, maar draag het toestel bij de handgrepen.
- Berg het toestel in staande positie op (fig. F1). Berg het toestel op een droge plaats op met zo weinig mogelijk temperatuurwisselingen.

Aanvullende informatie

Afvoeren van verpakkingsmateriaal

Overheids-richtlijnen geven aan dat we de hoeveelheid afvalmateriaal afgevoerd naar stortplaatsen moeten verminderen. Daarom vragen we u al het afvalmateriaal op verantwoorde wijze af te voeren naar openbare recycling-centra.

Verrijding aan het eind van de levensduur.

We hopen dat u jarenlang plezier hebt van uw fitnessapparaat. Er komt echter een moment waarop het fitnessapparaat het eind van de bruikbare levensduur heeft bereikt. Onder de Europese AEEA-wetgeving bent u verantwoordelijk voor het op de juiste wijze afvoeren van uw fitnessapparaat naar een erkend openbaar inzamelpunt.

Technische gegevens

Parameter	Meet-eenheid	Waarde
Netspanning	VAC	210 ~ 240
Spanning frequentie	HZ	50 ~ 60
Motor	HP	2.5 5.5 Max.
Snelheid	Km/H	0.5 ~ 16.0
Snelheid	Mph	0.3 ~ 10.0
Helling-graad	Stap	0 ~ 15
Lengte (ingeklapt)	Cm	193.0 (137.0)
Lengte (ingeklapt)	Inch	76.0 (53.9)
Breedte	Cm	82.5
Breedte	Inch	32.5
Hoogte (ingeklapt)	Cm	149.0 (155.0)
Hoogte (ingeklapt)	Inch	58.7 (61.0)
Gewicht	Kg	117.0
Gewicht	Lbs	257.9
Max. gebruikers gewicht	Kb	150
Max. gebruikers gewicht	Lbs	330
HR ontvanger	Khz	5.3 Khz

Verklaring van de fabrikant

Tunturi New Fitness BV verklaart dat het product voldoet aan de volgende normen en richtlijnen: EN 957 (HA), 89/336/EEG. Het product is derhalve voorzien van het CE-label.

12-2019

Tunturi New Fitness BV
Purmerweg 1
1311 XE Almere
The Netherlands

Disclaimer

© 2019 Tunturi New Fitness BV
Alle rechten voorbehouden.

Het product en de handleiding zijn aan veranderingen onderhevig. Specificaties kunnen zonder verdere kennisgeving worden veranderd.
[Check our website for the latest user manual version.](#)

Italiano

Questo manuale in lingua italiana è una traduzione dalla versione originale del manuale in lingua inglese.
Non si possono trarre diritti di traduzione dalla presente traduzione.

Indice

Tapis roulant	63
Precauzioni di sicurezza	63
Sicurezza elettrica	63
Istruzioni di montaggio	64
Descrizione (fig. A)	64
Contenuto dell'imballaggio (fig. B&C)	64
Assemblaggio (fig. D)	64
Accessori (fig. H)	64
Allenamenti	64
Istruzioni per l'esercizio	64
Frequenza cardiaca	65
Utilizzo	65
Console (fig. E-1)	66
Pulsanti	66
Spiegazione degli elementi visualizzati (Fig. H)	67
Funzione USB	67
Menu programmi	67
Avvio rapido	67
Pausa / terminare l'allenamento	67
Obiettivo di frequenza cardiaca	68
Manuale	68
Programmi preimpostati	68
Propri allenamenti	69
Fitness test	69
T-Road	69
Modalità Bluetooth	70
Utente	70
Registro utente	70
Impostazioni utente	70
Impostazioni utente	70
Elimina utente	70
Cambia utente	70
Crea utente	70
Garanzia	71
Pulizia e manutenzione	72
Lubrificazione (fig. J)	72
Disturbi durante l'uso	73
Codici di errore	73
Trasporto e stoccaggio	73
Informazioni aggiuntive	73
Dati tecnici	73
Dichiarazione del fabbricante	73
Clausola di esonero della responsabilità	73

Tapis roulant

Benvenuti nel mondo di Tunturi Fitness!

Grazie per aver acquistato questo apparecchio Tunturi. Tunturi offre un'ampia gamma di apparecchi per fitness professionale, fra cui crosstrainer, tapis roulant, cyclette, e vogatori e. Questo apparecchio Tunturi è adatto per tutta la famiglia, a prescindere dal livello di forma fisica. Per ulteriori informazioni, visitare il sito Web www.tunturi.com

Importanti istruzioni di sicurezza

Questo libretto di istruzioni è una parte essenziale della tua attrezzatura da ginnastica. Leggi con attenzione quanto scritto in questa guida, prima del montaggio dei pezzi e prima di fare uso dell'attrezzo o di effettuare qualunque manutenzione. Ti raccomandiamo pure di conservare la presente guida in un luogo sicuro e a portata di mano; essa ti fornirà, adesso e nel futuro, tutte le istruzioni necessarie all'uso e alla manutenzione della tua attrezzatura da ginnastica. Tali istruzioni devi seguirle sempre con molta attenzione!

Precauzioni di sicurezza

⚠ ATTENZIONE

- Leggere le precauzioni di sicurezza e le istruzioni. La mancata osservanza delle precauzioni di sicurezza e delle istruzioni può causare lesioni personali o danni all'apparecchio. Conservare gli avvisi di sicurezza e le istruzioni per future consultazioni.

⚠ ATTENZIONE

- Il sistema di monitoraggio della frequenza cardiaca può essere impreciso. L'eccessivo esercizio può causare serie lesioni o perfino il decesso. Se si avverte spossatezza, interrompere immediatamente l'allenamento.
- L'apparecchio è adatto esclusivamente per un uso domestico, non professionale. L'apparecchio non è idoneo per scopi commerciali.
- L'utilizzo massimo è limitato fino a 6 ore al giorno
- L'uso di questo apparecchio da parte di bambini o persone con handicap fisici, sensoriali, mentali o motori o privi di esperienza e di competenze può causare pericoli. Le persone responsabili per la loro sicurezza devono fornire esplicite istruzioni o supervisionare l'uso dell'apparecchio.
- Prima di iniziare l'allenamento, consultare un medico per verificare il proprio stato di salute.
- Se si avvertono nausea, vertigini o altri sintomi anomali, interrompere immediatamente l'allenamento e consultare un medico.
- Per evitare dolori muscolari e sforzi, iniziare ogni allenamento con una fase di riscaldamento e terminare ogni allenamento con una fase di defaticamento. Ricordarsi di eseguire lo stretching al termine dell'allenamento.
- L'apparecchio è adatto esclusivamente per un uso in interni. L'apparecchio non è idoneo per un uso all'aperto.
- Utilizzare l'apparecchio in un ambiente con ventilazione adeguata. Non utilizzare in ambienti esposti alle correnti d'aria per non prendere un raffreddore.
- Utilizzare l'apparecchio esclusivamente in ambienti con temperature comprese fra 10 °C e 35 °C. Conservare l'apparecchio esclusivamente in ambienti con temperature comprese fra 5 °C e 45 °C.
- Non utilizzare o riporre l'apparecchio in ambienti umidi. L'umidità dell'aria non deve mai superare l'80%.
- Utilizzare l'apparecchio solo per lo scopo previsto. Non utilizzare l'apparecchio per scopi diversi da quelli descritti nel manuale.
- Non usare l'apparecchio se presenta parti danneggiate o difettose. In caso di parti danneggiate o difettose contattare il rivenditore.
- Mantenere mani, piedi e le altre parti del corpo lontani dalle parti in movimento.
- Tenere i capelli lontani dalle parti in movimento.
- Indossare indumenti e scarpe adatti.
- Mantenere abiti, gioielli e altri oggetti lontani dalle parti in movimento.
- Controllare che l'apparecchio venga utilizzato da una sola persona alla volta. L'apparecchio non deve essere utilizzato da persone di peso superiore a 150 kg (330 lbs).
- Non smontare l'apparecchio senza aver consultato il rivenditore..

Sicurezza elettrica

(valido solo per apparecchi elettrici)

- Prima dell'uso, verificare sempre che la tensione della rete elettrica corrisponda alla tensione riportata sulla targhetta nominale dell'apparecchio.
- Non utilizzare cavi di prolunga.
- Tenere il cavo di alimentazione lontano da fonti di calore, olio e bordi affilati.
- Non alterare o modificare il cavo o la spina di alimentazione.
- Non utilizzare l'apparecchio se il cavo o la spina di alimentazione sono danneggiati o difettosi. Se il cavo o la spina di alimentazione risultano danneggiati o difettosi, contattare il rivenditore.

- Svolgere sempre completamente il cavo di alimentazione
- Non far passare il cavo di alimentazione sotto l'apparecchio. Non far passare il cavo di alimentazione sotto un tappeto. Non collocare alcun oggetto sul cavo di alimentazione.
- Verificare che il cavo di alimentazione non sporga sul bordo di un tavolo. Verificare che il cavo di alimentazione non possa rimanere accidentalmente impigliato o causare inciampanti.
- Non lasciare l'apparecchio incustodito quando la spina di alimentazione è collegata alla presa a muro.
- Non tirare il cavo di alimentazione per rimuovere la spina dalla presa a muro.
- Scollegare la spina di alimentazione dalla presa a muro quando l'apparecchio non è in uso, prima di assemblare o di smontare l'apparecchio o di qualsiasi intervento di pulizia o manutenzione.

⚠ ATTENZIONE

- Se il voltaggio varia del dieci per cento (10%) o più, le prestazioni del vostro tapis roulant potrebbero essere influenzate. Tali condizioni non sono coperte dalla vostra garanzia. Se sospettate che il voltaggio sia basso, contattate la vostra azienda elettrica locale o un elettricista qualificato per fare dei test appropriati.

⚠ ATTENZIONE

- Non usare MAI una presa di corrente RCD (Residual Current Device) [dispositivo a corrente residua] (versione US = GFCI) con questo tapis roulant. Come con qualsiasi apparecchio con un grande motore, il dispositivo RCD/GFCI salterà spesso. Non far passare il cavo di alimentazione vicino a parti in movimento del tapis roulant, incluso il meccanismo di sollevamento e le ruote di trasporto.

Istruzioni per la messa a terra

Questo prodotto va messo a terra. Se il sistema elettrico del tapis roulant non funziona bene o rompersi, la messa a terra fornisce un percorso di resistenza inferiore per la corrente elettrica, riducendo il rischio di scossa elettrica. Questo prodotto è dotato di un cavo che una spina di messa a terra. La spina deve essere inserita in una presa idonea che sia stata installata correttamente e che sia messa a terra secondo le procedure e le ordinanze locali.

⚠ AVVERTIMENTO

- Un collegamento scorretto del conduttore di messa a terra dell'apparecchio può comportare un rischio di scossa elettrica. In caso di dubbi sulla corretta messa a terra di questo prodotto, consultare un elettricista o addetto all'assistenza qualificato. Non modificare la spina fornita con il prodotto se non dovesse entrare nella presa di corrente; farsi installare una presa di corrente idonea da un elettricista qualificato.

Istruzioni di montaggio

Descrizione (fig. A)

Il tapis roulant è un apparecchio fisso per il fitness utilizzato per simulare la camminata o la corsa senza causare eccessiva pressione sulle articolazioni.

Contenuto dell'imballaggio (fig. B&C)

- L'imballaggio contiene i componenti illustrati nella fig. B.
- L'imballaggio contiene gli elementi di fissaggio illustrati nella fig. C. Consultare la sezione "Descrizione".

📌 NOTA

- Se una parte manca, contattare il rivenditore.

Assemblaggio (fig. D)

⚠ ATTENZIONE

- Assemblare l'apparecchio nell'ordine indicato.
- Per trasportare e spostare l'apparecchio sono necessarie almeno due persone.

⚠ AVVISO

- Collocare l'apparecchio su una superficie stabile e in piano.
- Collocare l'apparecchio su una base protettiva per evitare danni alla superficie del pavimento.
- Mantenere uno spazio libero di almeno 1 m intorno all'apparecchio.

- Consultare le illustrazioni per il corretto assemblaggio dell'apparecchio.

Accessori (fig. H)

📌 NOTA

- **L'illustrazione mostrata mostra come apparirà l'allenatore con i corrimani estesi adatti.**
- **I corrimani estesi aggiuntivi possono essere acquistati come accessori.**
- Article nr: 19TRNRH000

Contattare il proprio rivenditore per ulteriori informazioni.

Allenamenti

L'allenamento deve essere adeguatamente leggero ma di lunga durata. L'esercizio aerobico si basa sul miglioramento del consumo massimo di ossigeno del corpo che a sua volta migliora resistenza e forma fisica. Durante l'allenamento è necessario sudare ma non arrivare all'affanno. Per raggiungere e mantenere una forma fisica di base, allenarsi almeno tre volte alla settimana, per 30 minuti alla volta. Aumentare il numero di sessioni di esercizio per migliorare il livello di forma fisica. È importante combinare l'esercizio regolare con una dieta salutare. Una persona impegnata a seguire una dieta dovrà allenarsi quotidianamente, iniziando con 30 minuti o meno e aumentando gradualmente l'allenamento giornaliero fino ad un'ora. Iniziare l'allenamento a bassa velocità e con scarsa resistenza per evitare di sottoporre a uno stress eccessivo il sistema cardiovascolare. Man mano che il livello di forma fisica aumenta, è possibile aumentare gradualmente anche velocità e resistenza. L'efficienza dell'allenamento può essere misurata monitorando la frequenza cardiaca e le pulsazioni.

Istruzioni per l'esercizio

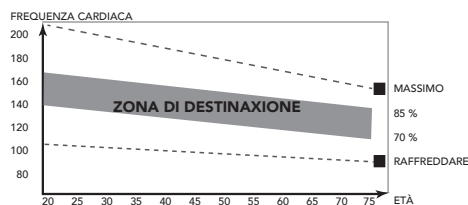
L'utilizzo del vostro fitness trainer vi darà diversi benefici, migliorerà la vostra forma fisica, tono muscolare e, insieme a una dieta con le calorie sotto controllo, vi aiuterà a perdere peso.

La fase di riscaldamento

Questa fase aiuta a far scorrere il sangue nel corpo e a far funzionare correttamente i muscoli. Ridurrà anche il rischio di crampi e di lesioni muscolari. Si consiglia di fare qualche esercizio di stretching come mostrato qui di seguito. Ogni esercizio di stretching andrebbe mantenuto per circa 30 secondi, non forzare o strappare i muscoli durante l'esercizio, se si sente un dolore FERMARSI SUBITO

La fase dell'esercizio

Questa è la fase dove fate il vostro sforzo. Dopo un uso regolare, i muscoli delle vostre gambe diventeranno più flessibili. Lavorare nell'ottica del vostro obiettivo è molto importante per mantenere un ritmo costante durante l'esercizio. La velocità del vostro lavoro dovrebbe essere sufficiente per aumentare il vostro battito cardiaco nella zona target mostrata sul grafico qui sotto.



Questa fase dovrebbe durare almeno 12 minuti anche se la maggior parte delle persone inizia a circa 15-20 minuti

La fase di defaticamento

Questa fase consente al vostro sistema cardiovascolare e ai vostri muscoli di rilassarsi. Questa è una ripetizione dell'esercizio di riscaldamento, cioè riduce il vostro ritmo, e continua per circa 5 minuti. Gli esercizi di stretching adesso andrebbero ripetuti, ricordandosi sempre di non forzare o strappare i vostri muscoli nello stretching.

A mano a mano che sarete più in forma, potrete aver bisogno di allenarvi di più e più a lungo. Si consiglia di allenarsi almeno tre volte alla settimana, e se possibile, spalmare gli esercizi in

Tono muscolare

Per tonificare i muscoli mentre siete sul vostro fitness trainer dovrete impostare la resistenza abbastanza alta. Questo sforzerà di più i muscoli delle vostre gambe e potrebbe voler dire che non potrete allenarvi per il tempo che avreste desiderato. Se anche voi state cercando di migliorare la vostra forma dovrete modificare il vostro programma di allenamento. Dovreste allenarvi normalmente durante le fasi di riscaldamento e di defaticamento, ma verso la fine della fase dell'esercizio dovrete aumentare la resistenza, per fare lavorare di più le vostre gambe. Dovrete ridurre la vostra velocità per mantenere la vostra frequenza cardiaca nella zona target.

Perdere peso

Qui il fattore importante è la quantità di sforzo che mettete. Più forte e a lungo lavorate e più calorie brucerete. In effetti è uguale a come se stesse allenandovi per migliorare la vostra forma, la differenza è l'obiettivo.

Frequenza cardiaca

Misurazione delle pulsazioni (sensori del cardiofrequenzimetro)

Le pulsazioni vengono misurate da sensori posti sulle impugnature quando l'utente tocca entrambi i sensori contemporaneamente. Un'accurata misurazione delle pulsazioni richiede che la pelle sia leggermente umida e costantemente a contatto con i sensori del cardiofrequenzimetro. Se la pelle è troppo asciutta o troppo bagnata, la misurazione delle pulsazioni diventa meno accurata.

NOTA

- Non utilizzare i sensori del cardiofrequenzimetro in combinazione con una fascia toracica per la misurazione della frequenza cardiaca.
- Impostando un limite per la frequenza cardiaca, viene generato un allarme acustico al superamento di tale limite.

Misurazione della frequenza cardiaca (fascia toracica)

NOTA

- La fascia toracica non è di serie con questa macchina. Se si desidera utilizzare una fascia toracica wireless, è necessario acquistarla come accessorio.

La misurazione della frequenza cardiaca più accurata si ottiene tramite una fascia cardiaca. La misurazione viene effettuata da un ricevitore della frequenza cardiaca combinato con una fascia toracica trasmittente. Per un'accurata misurazione della frequenza cardiaca, gli elettrodi sulla fascia del trasmettitore devono essere leggermente umidi e costantemente a contatto con la pelle. Se gli elettrodi sono troppo asciutti o troppo bagnati, la misurazione della frequenza cardiaca diventa meno accurata.

ATTENZIONE

- Se l'utente è portatore di pacemaker, consultare un medico prima di utilizzare una fascia toracica per la misurazione della frequenza cardiaca.

AVVISO

- In presenza di numerosi dispositivi per la misurazione della frequenza cardiaca vicini, verificare che siano almeno ad una distanza di 1,5 metri uno dall'altro.
- In presenza di un solo ricevitore e numerosi trasmettitori di frequenza cardiaca, verificare che solo una persona con un trasmettitore sia all'interno del campo di trasmissione.

NOTA

- Non utilizzare i sensori del cardiofrequenzimetro in combinazione con una fascia toracica per la misurazione della frequenza cardiaca.
- Indossare sempre la fascia toracica sotto gli abiti a diretto contatto con la pelle. Non indossare la fascia toracica sopra gli abiti. Indossando la fascia toracica sopra gli abiti, non sarà trasmesso alcun segnale.
- Impostando un limite per la frequenza cardiaca, viene generato un allarme acustico al superamento di tale limite.
- Il trasmettitore trasmette la frequenza cardiaca alla console fino ad una distanza di 1 metro. Se gli elettrodi non sono umidi, la frequenza cardiaca non viene visualizzata sul display.
- Alcune fibre negli abiti (ad es. poliestere, poliammide) creano elettricità statica che può impedire un'accurata misurazione della frequenza cardiaca.
- Cellulari, TV e altri apparecchi elettrici creano un campo magnetico che può impedire un'accurata misurazione della frequenza cardiaca.

Massima frequenza cardiaca (durante l'allenamento)

La massima frequenza cardiaca è la frequenza cardiaca più elevata che una persona può raggiungere in sicurezza durante lo stress dell'allenamento. Per calcolare la massima frequenza cardiaca media, viene utilizzata la seguente formula: $220 - \text{ETÀ}$. La massima frequenza cardiaca varia da persona a persona.

ATTENZIONE

- Porre attenzione a non superare la massima frequenza cardiaca durante l'allenamento. In caso di appartenenza ad un gruppo a rischio, consultare un medico.

Principianti 50-60% della massima frequenza cardiaca

Adatta per persone in fase di dieta dimagrante, principianti, convalescenti e per chi non fa esercizio da molto tempo. Allenarsi almeno tre volte alla settimana, per 30 minuti alla volta.

Livello avanzato 60-70% della massima frequenza cardiaca

Adatta per coloro che desiderano migliorare e mantenere la forma fisica. Allenarsi almeno tre volte alla settimana, per 30 minuti alla volta.

Esperti 70-80% della massima frequenza cardiaca

Adatta per le persone in perfetta forma fisica abituate ad allenamenti che richiedono molta resistenza.

Utilizzo

Interruttore di alimentazione principale (fig. E-2A)

L'apparecchio è dotato di un interruttore di alimentazione principale per spegnere completamente l'apparecchio.

Per avviare l'apparecchio:

- Inserire la spina elettrica nell'apparecchio.
- Inserire la spina elettrica nella presa di corrente.
- Mettere l'interruttore principale in posizione on.

The console application will start loading in the following order:

Stage 1: "Tunturi" logo is display for a few seconds.

Stage 2: "Loading..." is blinking in display.

Stage 3: 3 Acoustic beeps will be heard.

The main menu will open in where "Quick start" is selected as default. Trainer is now ready for use.

Per spegnere l'apparecchio:

- Mettere l'interruttore di alimentazione su off.
- Togliere la spina elettrica dalla presa elettrica.
- Togliere la spina elettrica dall'apparecchio.

NOTE

- Avoid switching off the equipment when there is a data saving activity, to avoid data to be lost.

Chiave di sicurezza (Fig F-4)

L'apparecchio è dotato di una chiave di sicurezza che deve essere inserita correttamente nella console per avviare l'apparecchio. Se togliete la chiave di sicurezza dalla console, l'apparecchio si fermerà immediatamente.

- Inserire la chiave di sicurezza nella feritoia nella console.
- Accertarsi che la clip della chiave di sicurezza sia attaccata correttamente al vostro indumento.
Accertarsi che la clip non venga rimossa dal vostro indumento prima che la chiave di sicurezza venga rimossa dalla console.

NOTE

- La console mostrerà il codice "Si prega di restituire la sicurezza chiave" quando la chiave di sicurezza non è in posizione durante l'avvio.

Interruttore automatico (Fig. E-2B)

L'apparecchio è dotato di un interruttore automatico che interrompe il circuito quando il carico di elettricità supera la capacità massima. Se ciò si verifica, si deve premere l'interruttore automatico.

AVVERTIMENTO

- Prima di premere l'interruttore automatico, togliere la spina elettrica dall'apparecchio.

Se l'apparecchio si spegne, procedere nel seguente modo per riavviare l'apparecchio:

- Togliere la spina elettrica dall'apparecchio.
- Premere l'interruttore automatico per avviare l'apparecchio.
- Inserire la spina elettrica nell'apparecchio.

NOTE

- Alcuni interruttori automatici usati nelle case non sono idonei per i picchi di corrente che si possono verificare quando un tapis roulant viene acceso o anche durante l'uso normale. Se il vostro tapis roulant fa scattare l'interruttore automatico (anche se ha l'ampereaggio corretto e il tapis roulant è il solo apparecchio sul circuito) ma l'interruttore sul tapis roulant stesso non scatta, dovrete sostituire l'interruttore con un tipo adatto alle correnti di picco più elevate. Questo non è un difetto coperto dalla garanzia. Si tratta di una condizione che noi, in quanto produttori, non siamo in grado di controllare.

Aprire e ripiegare l'apparecchio (fig. F1-F2)

L'apparecchio può essere aperto per l'uso (fig. G1) e ripiegato per il trasporto e l'immagazzinaggio (fig. G2).

Fare riferimento alle illustrazioni per un modo corretto di aprire e ripiegare l'apparecchio.

ATTENZIONE

- Prima di richiudere l'apparecchio, accertarsi che l'inclinazione sia dello 0%. Se l'inclinazione non è allo 0%, l'azione di chiusura danneggerà il meccanismo.

Regolazione dei piedi di supporto

L'apparecchio è dotato di 4 piedi di supporto. Se l'apparecchio non è stabile, è possibile regolare i piedi di supporto.

- Ruotare i piedi di supporto come necessario per rendere stabile il tapis roulant.

NOTE

- La stabilità della macchina è maggiore quando tutti i piedi di supporto sono completamente avvitati. Pertanto iniziare a livellare la macchina avvitando completamente tutti i piedi di supporto, prima di svitare il piede di supporto necessario a stabilizzarla.

Console (fig. E-1)

AVVISO

- Non esporre la console alla luce solare diretta.
- Asciugare la superficie della console se è coperta da gocce di sudore.
- Non appoggiarsi sulla console.
- Toccare il display solo con la punta delle dita. Non toccare il display con le unghie o con oggetti appuntiti.

NOTE

- La console passa in modalità standby quando l'apparecchio non viene utilizzato per 4 minuti.

Pulsanti

Enter/ Start (Invio/ Start)

- Conferma modalità Sport
- Conferma opzione in modalità Utente/Impostazione
- Conferma elemento di lavoro su schermata impostazione
- Conferma valore impostazione.
- Alternanza schermata principale tra Profilo bpm / pendenza
- Alternanza schermata principale tra Video / Profilo durante T-Road

Back/ Stop (Indietro / Stop)

- Ritorna alla schermata precedente
- Interrompe l'allenamento attivo

Utente/ + (aumenta)

- Apri impostazioni utente.
- Aumenta intensità in modalità allenamento.
Premere una sola volta per aumentare dell'1%
Tenere premuto per aumentare l'intensità più rapidamente.

NOTE

- Non è possibile deformare il profilo, quindi l'intensità pre-programmata più elevata è il limite di aumento.

Seleziona/ - (diminuisce)

- Monitor LED accensione.
- Diminuisce intensità in modalità allenamento.
Premere una sola volta per diminuire dell'1%
Tenere premuto per diminuire l'intensità più rapidamente.

NOTE

- Non è possibile deformare il profilo, quindi l'intensità pre-programmata più bassa è il limite di aumento.

Velocità +

- Aumenta la velocità (0,5 ~ 16,0 km/h).
- Premendo una sola volta si aumenta la velocità di 0,1 km/h.
- Tenendo premuto per due secondi si aumenta la velocità più rapidamente.
- Scorrere i programmi e cambiare i valori nella modalità di programmazione.

Velocità -

- Diminuisce la velocità (0,5 ~ 16,0 km/h).
- Premendo una sola volta si diminuisce la velocità di 0,1 km/h.
- Tenendo premuto per due secondi si diminuisce la velocità più rapidamente.
- Scorrere i programmi e cambiare i valori nella modalità di programmazione.

Tasti rapidi controllo velocità:

I tasti rapidi per la velocità sono così impostati : 6, 9, 12. (Sistema metrico 3.7/ 5.6/ 7,5)

Ad esempio, la velocità cambia da qualsiasi velocità a 9 km/h premendo il tasto rapido 9.

Tasti rapidi barra velocità:

- + Uguale a Velocità +.
- - Uguale a Velocità -.

Controllo pendenza +

- Aumenta la pendenza (0 ~ 15 +1).
- Scorrere i programmi e cambiare i valori nella modalità di programmazione.

Controllo pendenza -

- Diminuisce la pendenza (0 ~ 15 -1)
- Scorrere i programmi e cambiare i valori nella modalità di programmazione.

Tasti rapidi controllo pendenza.

I tasti rapidi per la pendenza sono impostati come 0, 5, 10.

Ad esempio, il livello di pendenza cambia da qualsiasi livello a 5 premendo il tasto rapido Pendenza 5.

Tasti rapidi barra pendenza:

- + : Uguale a Pendenza +.
- - : Uguale a Pendenza -.

Spiegazione degli elementi visualizzati (Fig. H)**Velocità**

- Mostra la velocità effettiva del tapis roulant in modalità allenamento.

Pendenza

- Visualizza le pendenza reale del tapis roulant in modalità allenamento.

Distanza

- Mostra la modalità di allenamento distanza percorsa.
- Mostra la distanza residua quando l'allenamento è in modalità conto alla rovescia.

Tempo

- Mostra il tempo corso in modalità allenamento.
- Mostra il tempo residuo quando l'allenamento è in modalità conto alla rovescia.

Passo

- Mostra il numero di passi camminati / corsi durante l'allenamento.

Cuore

- Mostra la frequenza cardiaca in modalità allenamento, o "P" quando non viene misurata nessuna frequenza.

Calorie / Energia

- Mostra le calorie K consumate in modalità allenamento.
- Mostra le calorie K residue quando l'allenamento è in modalità conto alla rovescia.

📌 NOTA

- Questi dati sono una guida approssimativa per il confronto di diverse sessioni di allenamento e non possono essere usati nelle cure mediche.

📌 NOTA

- LED visualizza Tempo/ Passo, Cuore/Pendenza e Calorie/ Distanza scansione ogni 5 secondi.

Display profilo generale

- La riga in basso da sinistra a destra indica il tempo in minuti fra 0~30. Si aggiorna ogni 15 minuti durante l'allenamento
- La barra laterale sinistra dall'alto in basso mostra il valore pendenza o bpm durante l'allenamento, premere il pulsante "Invio/ Start" per alternare fra Pendenza / bpm (pendenza viene indicata in blu / bpm viene indicato in rosso)
- La barra laterale destra dall'alto in basso indica il valore della velocità.
- La linea bianca punteggiata mostra la posizione corrente, che si sposta a destra a mano a mano che il tempo dell'allenamento aumenta. La schermata dell'allenamento potrebbe mostrare i dati per un massimo di 5 ore.
- La curva arancione mostra l'attuale frequenza cardiaca dell'utente, che varia quando la frequenza cardiaca sale e scende.

Funzione USB

La porta USB si può usare solo per interventi di assistenza, ad esempio per eseguire un aggiornamento del software da una chiavetta USB.

📌 NOTA

- Se il tuo attrezzo di allenamento lavora bene, e non c'è motivo per dubitare della funzionalità del software, consigliamo di non cambiare il software, a meno che non siano disponibili delle nuove funzionalità.
- Prima di aggiornare il software, contattare sempre il proprio centro assistenza per ricevere il file di aggiornamento corretto e il software più aggiornato.

Menu programmi**Avvio rapido**

- Usare i pulsanti "Velocità e Pendenza + / -" per navigare nel menu principale e selezionare "Avvio rapido".
- Premere "Invio / Start" per confermare e avviare il conto alla rovescia di 3 secondi per attivare la modalità di avvio rapido.
- L'attrezzo di allenamento si avvierà alla velocità minima, senza altre impostazioni.

In modalità allenamento

- Usare i tasti "Controllo velocità" per regolare in qualsiasi momento l'impostazione della velocità secondo le proprie necessità.
- Usare i tasti "Controllo pendenza" per regolare in qualsiasi momento l'impostazione della pendenza secondo le proprie necessità.

Pausa / terminare l'allenamento

Premere in qualsiasi momento il pulsante "Indietro / Stop" per fermare l'allenamento attivo. L'attrezzo di allenamento entrerà in modalità pausa dove il display fornirà 3 opzioni. Usare "Velocità e pendenza + / -" per selezionare l'opzione desiderata.

Continua:

Scegliere "Continua" per ritornare al proprio allenamento, mentre il display avvierà il conto alla rovescia di 3 secondi prima di mantenere l'esercizio in pausa.

Esci:

Scegliere "Esci" per interrompere l'allenamento, mentre il display visualizzerà le informazioni sull'"Ultima sessione". Visualizzazione di un resoconto dell'allenamento.

Salva e Esci

Scegliere "Salva e Esci" e salvare il file in "Propri allenamenti"

- La modalità di attribuzione del nome del file si aprirà come un palloncino pop-up nella parte inferiore del pulsante "Salva e Esci".
- Premere il pulsante "Invio/ Start" per aprire l'opzione di modifica del testo, che visualizza una "A"
- Si può modificare a proprio piacimento usando i pulsanti "Velocità e Pendenza + / -" e confermare il carattere con il pulsante "Invio/ Start", aprendo il carattere successivo.
- Completa il nome del tuo file ripetendo questa procedura.
- Una volta completato il nome del tuo file, seleziona "V", il display visualizzerà le informazioni sull'"Ultima sessione". Visualizzazione di un resoconto dell'allenamento.

NOTA

- Per salvare i dati dell'allenamento bisogna avere 10 minuti o 3 km di dati nel profilo allenamento.
- Non è possibile memorizzare i dati di allenamento se si è in modalità Fitness test o T-Road.

Obiettivo di frequenza cardiaca

- Usare i pulsanti "Velocità e Pendenza + / -" per navigare nel menu principale e selezionare "Target HR".
- Premere "Invio/ Start" per confermare e accedere alla schermata Impostazioni.

Display programmazione obiettivo di frequenza cardiaca

La schermata visualizza "obiettivo di frequenza cardiaca Intervallo 80 - 220 bpm"

- Usare i pulsanti "Velocità e Pendenza + / -" per impostare l'impostazione target HR desiderata e confermare con "Invio/ Start".
- Mentre si cambia il parametro, la percentuale Hr massima aggiornerà automaticamente la percentuale HR max dell'impostazione utente selezionata, in funzione dell'età.

Display programmazione obiettivo durata allenamento

- Usare i pulsanti "Velocità e Pendenza + / -" per selezionare un obiettivo di Energia, Tempo o Distanza, e confermare con "Invio/ Start".
- Usare i pulsanti "Velocità e Pendenza + / -" per impostare l'obiettivo di durata desiderato e confermare con "Invio/ Start".
Energia: Intervallo 50 ~ 2000 Default 200 ± 50.
Tempo : Intervallo 10 ~ 180 Default 200 ± 30.
Distanza: Intervallo: 3 ~ 100 Default 10 ± 1.
- Premere "Invio / Start" per confermare e avviare il conto alla rovescia di 3 secondi per attivare la modalità "Target HR".

Il programma "Target HR" è controllato dalla frequenza cardiaca. L'intensità degli allenamenti verrà regolata automaticamente in funzione della frequenza cardiaca dell'utente e del target HR preimpostato.

Quando la frequenza cardiaca dell'utente è al di sotto del valore target, l'intensità aumenterà.

Quando la frequenza cardiaca dell'utente è al di sopra del valore target, l'intensità diminuirà.

In modalità allenamento

- Usare i tasti "Controllo velocità" per regolare in qualsiasi momento l'impostazione della velocità secondo le proprie necessità.
- Usare i tasti "Controllo pendenza" per regolare in qualsiasi momento l'impostazione della pendenza secondo le proprie necessità.

NOTA

- Quando si regola l'intensità manualmente, la console continuerà a comportarsi come se dovesse basarsi sulle impostazioni Target HR.

- Verrà visualizzato il messaggio "Nessuna frequenza cardiaca" se la frequenza cardiaca dell'utente non viene rilevata durante l'allenamento.

Per l'opzione "Mettere in pausa / terminare l'allenamento", vedere la sezione iniziale di questo manuale.

Manuale

- Usare i pulsanti "Velocità e Pendenza + / -" per navigare nel menu principale e selezionare "Manuale".
- Premere "Invio/ Start" per confermare e accedere alla schermata Impostazioni.

Display programmazione obiettivo durata allenamento

- Usare i pulsanti "Velocità e Pendenza + / -" per selezionare un obiettivo di Energia, Tempo o Distanza, e confermare con "Invio/ Start".
- Usare i pulsanti "Velocità e Pendenza + / -" per impostare l'obiettivo di durata desiderato e confermare con "Invio/ Start".
Energia: Intervallo 50 ~ 2000 Default 200 ± 50.
Tempo : Intervallo 10 ~ 180 Default 200 ± 30.
Distanza: Intervallo: 3 ~ 100 Default 10 ± 1.
- Premere "Invio/ Start" per confermare e iniziare il conteggio alla rovescia di 3 secondi per attivare la modalità "Manuale".

Tutti i programmi preimpostati per il profilo controllano l'intensità automaticamente.

In modalità allenamento

- Usare i tasti "Controllo velocità" per regolare in qualsiasi momento l'impostazione della velocità secondo le proprie necessità.
- Usare i tasti "Controllo pendenza" per regolare in qualsiasi momento l'impostazione della pendenza secondo le proprie necessità.

Per l'opzione "Mettere in pausa / terminare l'allenamento", vedere la sezione iniziale di questo manuale.

Programmi preimpostati

Usare i pulsanti "Velocità e Pendenza + / -" per navigare nel menu principale e selezionare "Programmi preimpostati".

- Premere "Invio/ Start" per confermare e accedere alla schermata di selezione dei programmi.
- Usare i pulsanti "Velocità e Pendenza + / -" per selezionare un "Programma preimpostato"
5 profili sono controllati dalla velocità
L'anteprima grafica del profilo viene mostrata in colore verde.
5 profili sono controllati dalla velocità
L'anteprima grafica del profilo viene mostrata in colore blu.
Premere "Invio/ Start" per confermare e accedere alla schermata Impostazioni.

Display programmazione obiettivo durata allenamento

- Usare i pulsanti "Velocità e Pendenza + / -" per selezionare un obiettivo di Energia, Tempo o Distanza, e confermare con "Invio/ Start".
- Usare i pulsanti "Velocità e Pendenza + / -" per impostare l'obiettivo di durata desiderato e confermare con "Invio/ Start".
Energia: Intervallo 50 ~ 2000 Default 200 ± 50.
Tempo : Intervallo 10 ~ 180 Default 200 ± 30.
Distanza: Intervallo: 3 ~ 100 Default 10 ± 1.
- Premere "Invio/ Start" per confermare e avviare il conteggio alla rovescia di 3 secondi per attivare il profilo Programma preimpostato selezionato.

In modalità allenamento

- Usare i tasti "Controllo velocità" per regolare in qualsiasi momento l'impostazione della velocità secondo le proprie necessità.
- Usare i tasti "Controllo pendenza" per regolare in qualsiasi momento l'impostazione della pendenza secondo le proprie necessità.
- Usare il pulsante "Utente/ + (aumenta)/Seleziona/ - (diminuisce)" per aumentare il profilo del programma nel suo intero.

🔔 NOTA

- Se si regola manualmente la velocità premendo i pulsanti "Controllo velocità" in un profilo controllato dalla velocità, la console applicherà il cambiamento solo sulla sezione di profilo attiva.
- Se si regola manualmente la velocità premendo i pulsanti "Controllo pendenza" in un profilo controllato dalla pendenza, la console applicherà il cambiamento solo sulla sezione di profilo attiva.
- L'opzione di aumento massimo/minimo è correlata alle impostazioni del profilo più alte/più basse, visto che l'aumento non può cambiare il profilo.

Per l'opzione "Mettere in pausa / terminare l'allenamento", vedere la sezione iniziale di questo manuale.

Propri allenamenti

Usare i pulsanti "Velocità e Pendenza + / -" per navigare nel menu principale e selezionare "Propri allenamenti".

- Premere "Invio/ Start" per confermare e accedere alla schermata di selezione dei programmi.

🔔 NOTA

- Verrà visualizzata la scritta "Non è stato trovato nessun allenamento" se non ci sono allenamenti salvati.
- Usare i pulsanti "Velocità e pendenza + / -" per selezionare un "Proprio allenamento" memorizzato disponibile, e i profili controllati da velocità disponibili possibili verranno riconosciuti quando: L'anteprima grafica del profilo viene mostrata in colore verde.
I profili controllati da pendenza disponibili possibili verranno riconosciuti quando: L'anteprima grafica del profilo viene mostrata in colore Blu.
Premere "Invio/ Start" per confermare e accedere alla schermata Impostazioni.

Usare i pulsanti "Velocità e pendenza + / -" per selezionare: "Replay", "Modifica" or "Elimina".

"Replay"

- Selezionare "Replay": Premere "Invio/ Start" per confermare e avviare il conteggio alla rovescia di 3 secondi per attivare il profilo Programma selezionato come programma.

"Modifica"

- Usare i pulsanti "Velocità e Pendenza + / -" per impostare l'obiettivo di durata desiderato e confermare con "Invio/ Start".
Tempo : Intervallo 10 ~ 180 Default 200 ± 30.
- Premere "Invio/ Start" per confermare e avviare il conteggio alla rovescia di 3 secondi per attivare il profilo Programma preimpostato selezionato.

"Elimina"

- Premere "Invio/ Start" per confermare e il "Proprio profilo" selezionato verrà eliminato senza visualizzare nessun messaggio di avvertimento aggiuntivo.

In modalità allenamento

- Usare i tasti "Controllo velocità" per regolare in qualsiasi momento l'impostazione della velocità secondo le proprie necessità.

- Usare i tasti "Controllo pendenza" per regolare in qualsiasi momento l'impostazione della pendenza secondo le proprie necessità.
- Usare il pulsante "Utente/ + (aumenta)/Seleziona/ - (diminuisce)" per aumentare il profilo del programma nel suo intero.

🔔 NOTA

- Se si regola manualmente la velocità premendo i pulsanti "Controllo velocità" in un profilo controllato dalla velocità, la console applicherà il cambiamento solo sulla sezione di profilo attiva.
- Se si regola manualmente la velocità premendo i pulsanti "Controllo pendenza" in un profilo controllato dalla pendenza, la console applicherà il cambiamento solo sulla sezione di profilo attiva.
- L'opzione di aumento massimo/minimo è correlata alle impostazioni del profilo più alte/più basse, visto che l'aumento non può cambiare il profilo.

Per l'opzione "Mettere in pausa / terminare l'allenamento", vedere la sezione iniziale di questo manuale.

Fitness test

Usare i pulsanti "Velocità e Pendenza + / -" per navigare nel menu principale e selezionare "Fitness test".

- Premere "Invio/ Start" per confermare e accedere alla schermata di selezione dei programmi.

🔔 NOTA

- Per avviare un fitness test bisogna selezionare un utente. Se non viene selezionato nessun utente, questo verrà notificato nella console.
- I risultati del fitness test verranno memorizzati nel file "Registro utente".

- Premere "Invio/ Start" per confermare e iniziare il conteggio alla rovescia di 3 secondi per avviare la modalità "Fitness test".

In modalità allenamento

- Per completare il fitness test si deve correre per 12 minuti.
- In questi 12 minuti si è in controllo per usare i tasti "Controllo velocità" per regolare la velocità e spingere i propri limiti, perché più si corre, e più si avrà un punteggio migliore.
- Per calcolare i risultati del proprio fitness test, serve il rilevamento della frequenza cardiaca.

Terminare il "Fitness test"

- Il test verrà completato automaticamente dopo 12 minuti, e il display visualizzerà le informazioni sull'"Ultima sessione". Visualizzazione di un resoconto dell'allenamento.
- I risultati del test specifico "Fitness test" verranno salvati nel file "Registro utente".

🔔 NOTA

- Se il test viene interrotto prima dei 12 minuti, il test fallirà.
- Il display chiederà all'utente se non è stato rilevato nessun segnale di frequenza cardiaca.

T-Road

Usare i pulsanti "Velocità e Pendenza + / -" per navigare nel menu principale e selezionare "T-Road".

- Premere "Invio/ Start" per confermare e accedere alla schermata di selezione dei programmi.
- Usare i pulsanti "Velocità e pendenza + / -" per selezionare uno dei 3 profili T-road disponibili.
- Premere "Invio/ Start" per confermare e iniziare il conteggio alla rovescia di 3 secondi per avviare il profilo "T-road" selezionato.

In modalità allenamento

- Per i profili T-Road la durata dell'obiettivo è fissata in funzione della distanza del profilo selezionato.
- Il comportamento delle impostazioni pendenza è basato sul profilo selezionato, quindi è possibile regolare l'impostazione di pendenza, ma la correzione automatica si chiuderà immediatamente.
- Usare i tasti "Controllo velocità" per regolare in qualsiasi momento l'impostazione della velocità secondo le proprie necessità.
- Usare il pulsante "Invio/ Start" per alternare fra la visualizzazione filmato e profilo.

Display filmato: Mostra il percorso suggestivo, dove la velocità del filmato è correlata alla velocità della corsa, e la pendenza ambientale è correlata all'impostazione di pendenza dei tapis roulant.

Display profilo: Mostra il profilo attuale in parametri.

Per "Mettere in pausa / terminare l'allenamento", vedere la sezione iniziale di questo manuale.

Modalità Bluetooth

NOTE

- La console può collegarsi a un'APP su un dispositivo smart tramite Bluetooth (iOS & Android).
- Stabilire la connessione Bluetooth solo in modalità connessione sull'APP installata sul proprio dispositivo smart.

Usare i pulsanti "Velocità e Pendenza + / -" per navigare nel menu principale e selezionare "Modalità Bluetooth".

- Premere "Invio/ Start" per confermare e accedere alla schermata di selezione dei programmi, e mettere il modulo BT in modalità ON. Verrà visualizzato l'indirizzo BT.
- Premere il pulsante "Start/Stop" per uscire dal display modalità connessione BT e disattivare il modulo BT se non è sincronizzato.

NOTE

- Tunturi fornisce solo la possibilità di collegare la vostra console fitness tramite una connessione bluetooth. Quindi Tunturi non potrà essere ritenuta responsabile di eventuali danni o malfunzionamenti di altri prodotti che non siano prodotti Tunturi.
- Per maggiori informazioni, controllare il sito web. www.Tunturi.com

Utente

Premere il pulsante "Utente/ + (aumenta)" per accedere al menu Utente.

- Usare i pulsanti "Velocità e pendenza + / -" per selezionare uno dei 6 sottomenu Utente disponibili.
- Premere "Invio/ Start" per confermare e accedere al sottomenu selezionato.

Registro utente

Si aprirà il registro utente visualizzando i dati di allenamento della vostra "Ultima sessione".

- Premere "Invio/ Start" per i totali dei vostri dati utente personali.
- Premere "Invio/ Start" per uscire dal menu "Registro utente".

Impostazioni utente

Nel menu "Impostazioni utente" potete configurare le vostre preferenze personali, e vedere qualche dato utile:

- Regolazione "Contrasto": Luminosità (Default=50%)
- Visualizza "Distanza totale": La distanza totale della macchina.
- Visualizza "Tempo totale": Il tempo di funzionamento totale della macchina.

- Visualizza "Versione corrente": Il software attualmente installato.
- Regolazione "Upgrade SW": Modalità di aggiornamento software. Sì: Si può aggiornare il software tramite USB. No: Non è possibile aggiornare il SW tramite USB.
- Regolazione "Lingua": L'impostazione della lingua illustrata con una bandierina.
- Regolazione "Controllo volume": L'impostazione per il bip sonoro del pulsante. on(sì) o off (NO). Alcune notifiche sonore non possono essere impostate su off.

Regolazione impostazioni

- Usare i pulsanti "Velocità e pendenza + / -" per selezionare uno dei parametri regolabili del menu.
- Premere "Invio/ Start" per confermare e accedere alla modalità modifica.
- Usare i pulsanti "Velocità e pendenza + / -" per regolare il parametro.
- Premere "Invio/ Start" per confermare.
- Premere "Indietro / Stop" per uscire dal menu "Impostazioni utente".

Impostazioni utente

Nel menu "Impostazioni utente" si possono modificare i parametri Impostazioni utente se non sono più corretti.

Per vedere come regolare e memorizzare i parametri impostazioni utente, consultare la sezione "Crea utente".

- Premere "Indietro / Stop" per uscire dal menu "Impostazioni utente".

Elimina utente

Nel menu "Impostazioni utente" si può eliminare un utente dai parametri Impostazioni utente salvati e tutti i dati di avviamento.

- Usare i pulsanti "Velocità e pendenza + / -" per selezionare l'utente da eliminare.
- Premere "Invio/ Start" per confermare e il "Proprio profilo" selezionato verrà eliminato senza visualizzare nessun messaggio di avvertimento aggiuntivo.
- Premere "Indietro / Stop" per uscire dal menu "Impostazioni utente".

Cambia utente

Nel menu "Cambia utente" si possono selezionare i vari utente disponibili nella libreria utenti.

- Usare i pulsanti "Velocità e pendenza + / -" per selezionare l'utente che si desidera selezionare.
- Premere "Invio/ Start" per confermare l'utente visualizzato.
- Premere "Indietro / Stop" per
- Premere "Indietro / Stop" per uscire dal menu "Impostazioni utente".

Crea utente

Premere il pulsante "Utente/ + (aumenta)" per accedere al menu "Crea utente".

- Usare i pulsanti "Velocità e pendenza + / -" per selezionare uno dei 9 parametri dati Utente disponibili.
- Premere "Invio/ Start" per confermare e accedere alla schermata di regolazione parametri utente.

Nome utente:

- Premere il pulsante "Invio/ Start" per aprire l'opzione di modifica del testo, che visualizza una "A"
- Si può modificare a proprio piacimento usando i pulsanti "Velocità e Pendenza + / -" e confermare il carattere con il pulsante "Invio/ Start", aprendo il carattere successivo.
- Completa il nome del tuo file ripetendo questa procedura.
- Una volta completato il nome del file, selezionando il segno di spunta "√", il display salverà il nome del file e ritornerà al menu "Crea utente".

Unità, Display

- Usare i pulsanti "Velocità e pendenza + / -" per selezionare le impostazioni di unità richieste:

	Velocità	Distanza	Altezza	Peso
Sistema metrico	Km/ H	Km	Cm	Kg
Sistema imperiale	Mph	Mile	Ft/ Inch	Lbs

- Premere "Invio/ Start" per confermare le impostazioni e ritornare al menu "Crea utente".

Display

- Usare i pulsanti "Velocità e pendenza + / -" per selezionare le impostazioni di visualizzazione richieste.
Conteggio: tempo preimpostato/ verrà sommata la distanza
Conto alla rovescia: tempo preimpostato/ verrà fatto il conteggio alla rovescia per la distanza.
- Premere "Invio/ Start" per confermare le impostazioni e ritornare al menu "Crea utente".

Genere

- Usare i pulsanti "Velocità e pendenza + / -" per selezionare le impostazioni di Genere richieste.
- Premere "Invio/ Start" per confermare le impostazioni e ritornare al menu "Crea utente".

Età

- Usare i pulsanti "Velocità e pendenza + / -" per regolare le impostazioni dell'età.
Range: 10 ~ 99 ± 1
- Premere "Invio/ Start" per confermare le impostazioni e ritornare al menu "Crea utente".

Altezza

- Usare i pulsanti "Velocità e pendenza + / -" per regolare le impostazioni dell'altezza.
Range: Misure metriche: 110 ~ 210 ± 1 / Sistema imperiale: 3'7 ~ 6'10 ± 0'1
- Premere "Invio/ Start" per confermare le impostazioni e ritornare al menu "Crea utente".

Peso

- Usare i pulsanti "Velocità e pendenza + / -" per regolare le impostazioni del peso.
Sistema metrico: 30 ~ 150 ± 1 / Sistema imperiale: 66 ~ 330 ± 1
- Premere "Invio/ Start" per confermare le impostazioni e ritornare al menu "Crea utente".

Max HR

Il parametro Max HR è un valore calcolato in automatico in funzione delle impostazioni di Età e Genere. Siete comunque liberi di impostare un limite personale.

Maschio: 220 - età è Max. HR

Femmina: 226 - età è Max. HR.

- Usare i pulsanti "Velocità e pendenza + / -" per regolare le impostazioni Max HR.
Range: 80 ~ 220 ± 1
- Premere "Invio/ Start" per confermare le impostazioni e ritornare al menu "Crea utente".

Velocità Max

- Usare i pulsanti "Velocità e pendenza + / -" per regolare le impostazioni dell'altezza.
Sistema metrico: 0,5 ~ 16,0 ± 0,1 / Sistema imperiale: 0,3 ~ 10,0 ± 0,1
- Premere "Invio/ Start" per confermare le impostazioni e ritornare al menu "Crea utente".

NOTA

- La velocità massima impostata verrà usata come velocità massima del tapis roulant, nei profili sia manuale che programmati.

Garanzia**Condizioni di garanzia**

Il consumatore è tutelato da tutti i diritti previsti dalla legislazione nazionale e riguardanti l'acquisto di beni di consumo. Questi diritti fondamentali non sono limitati dalle condizioni di garanzia. La garanzia entra in vigore solo se l'attrezzo in questione prodotto dall'azienda Tunturi Ltd. viene utilizzato in linea con le condizioni ambientali d'uso specificate dal fabbricante. Le condizioni ambientali d'uso degli attrezzi son

Condizioni per la garanzia

La garanzia entra in vigore dalla data dell'acquisto dell'attrezzo. Le condizioni per la garanzia possono variare in funzione del paese. Rivolgersi al rivenditore di zona per maggiori informazioni sulle condizioni per la garanzia.

Copertura della garanzia

L'azienda Tunturi Ltd ed i suoi rappresentanti non rispondono per nessun motivo dei danni indiretti causati all'acquirente dall'attrezzo. Per danni indiretti s'intendono quelli relativi al mancato sfruttamento dell'attrezzo, mancato guadagno o altri danni di natura economica.

Limiti di garanzia

La garanzia copre i difetti di materiale e fabbrica dell'attrezzo che si manifestano subito dopo l'acquisto. La garanzia copre solo i difetti che si manifestano durante l'uso normale e conforme alle istruzioni del manuale di installazione, manutenzione ed uso fornito da Tunturi. L'azienda Tunturi Ltd ed i suoi rivenditori non rispondono dei danni causati da eventi al di fuori del loro controllo. La garanzia riguarda solo il proprietario originario dell'attrezzo ed è in vigore solo in quei paesi in cui Tunturi Ltd dispone di un proprio rappresentante autorizzato.

La garanzia non copre i difetti di quegli attrezzi o componenti che sono stati modificati senza l'espressa autorizzazione del fabbricante Tunturi Ltd. La garanzia non copre i difetti causati dalla normale usura, da un uso in condizioni non previste, dalla corrosione, dalla movimentazione e dal trasporto.

La garanzia non copre rumori o suoni emessi durante l'uso a meno che non impediscano l'uso dell'attrezzo e che non siano causati da un guasto all'attrezzo stesso.

La garanzia non comprende nemmeno i normali interventi di servizio dell'attrezzo, come per esempio la pulizia, lubrificazione, controllo periodico dei componenti né le piccole installazioni che può effettuare il cliente stesso e che non richiedono lo smontaggio/ montaggio dell'attrezzo. Questi interventi sono, per esempio, la sostituzione del pannello, dei pedali o di altri componenti analoghi. La garanzia non copre gli interventi di riparazione previsti, se non vengono eseguiti da un rappresentante autorizzato Tunturi. Se sbagliate a seguire le istruzioni del manuale d'uso, decade subito la garanzia sul prodotto.

Pulizia e manutenzione

⚠ ATTENZIONE

- Prima di qualsiasi intervento di pulizia o manutenzione, scollegare la spina di alimentazione dalla presa a muro.
- Non utilizzare solventi per pulire l'apparecchio.

- Non bloccare le aperture di ventilazione. Mantenere le aperture di ventilazione pulite da polvere, sporco e altre ostruzioni.
- Pulire l'apparecchio con un panno morbido e assorbente dopo ogni uso.
- Pulire la parti visibile dell'apparecchio con un aspirapolvere dotato di bocchetta a lancia.
- Verificare regolarmente che tutte le viti e i dadi siano serrati.

Cinghia e Pedana per la corsa

Il vostro tapis roulant utilizza un fondo a bassa frizione molto efficiente. Se la pedana per la corsa viene sempre tenuta bella pulita, avrà delle migliori prestazioni. Utilizzate un panno morbido e umido, oppure della carta assorbente per pulire il bordo della cinghia e la zona fra il bordo della cinghia e il telaio. Cercate anche di arrivare, se riuscite, sotto il bordo della cinghia. Questo andrebbe fatto una volta al mese per prolungare la durata della cinghia e della pedana per la corsa. Utilizzate solo dell'acqua, niente detergenti o abrasivi. Una soluzione con acqua e sapone delicato insieme ad una spazzola in nylon pulirà la parte superiore della cinghia. Consentite alla cinghia di asciugare prima di usarla.

Lubrificazione (fig. J)

La lubrificazione del tapis roulant deve essere controllata ogni 2 mesi, sulla base di un utilizzo medio di 60 minuti al giorno.

⚠ AVVERTIMENTO

- Prima della lubrificazione, togliere la spina elettrica dalla presa di corrente.

⚠ ATTENZIONE

- Si consiglia di controllare la lubrificazione della cinghia di scorrimento almeno una volta al mese, in quanto più fattori del tempo possono essere efficaci per le condizioni del lubrificante.
 - Lubrificare il tapis roulant solo se necessario. Se applicate troppo lubrificante, il tapis roulant slitterà facilmente a causa di una mancanza di frizione.
- Stare ben fermi sul tapis roulant.
 - Afferrare il manubrio anteriore e spingere il tapis roulant con i piedi di modo che scivoli avanti e indietro. Il tapis roulant deve muoversi senza problemi e in modo uniforme senza fare rumore.
 - Se il tapis roulant non si muove senza problemi e in modo uniforme o se non si muove per niente, toccare la parte inferiore del tapis roulant con le punte delle dita per verificare la lubrificazione:
 - Se sentite la lubrificazione o se le punte delle vostre dita sono lucide, significa che il tapis roulant è sufficientemente lubrificato.
 - Se non sentite la lubrificazione o se le punte delle vostre dita sono impolverate o ruvide, applicare del lubrificante (15-20 ml) nella parte centrale del tappeto sotto il tapis roulant e far funzionare l'apparecchio a 5km/h per almeno 5 minuti.
 - Dopo la lubrificazione, non piegare.

Polvere sulla cinghia

Questo succede durante le normali fasi preliminari o fino a quando la cinghia non si sarà stabilizzata. Rimuovere l'eccesso di polvere con un panno umido ridurrà al minimo la formazione di polvere.

Pulizia generale

Sporcizia, polvere, e peli di animali possono bloccare l'entrata dell'aria ed accumularsi sulla cinghia per la camminata. Mensilmente: pulire con un aspiratore sotto il tapis roulant per evitare l'accumulo di polvere. Due volte all'anno, dovrete rimuovere il coperchio del motore di colore nero e pulire con un aspiratore tutto lo sporco che potrebbe essersi accumulato.

PRIMA DI FARE QUESTO, BISOGNA STACCARE IL CAVO DI ALIMENTAZIONE..

Registrazioni della cinghia

La registrazione deve essere fatta dal rullo posteriore. I bulloni di regolazione si trovano alla fine delle guide dei passi nei coperchi terminali, come annotato nello schema qui sotto.

- Serrare i bulloni del rullo posteriore (in senso orario) solo quanto basta per evitare lo slittamento sul rullo anteriore. Girare entrambi i bulloni di registrazione della tensione della cinghia di camminamento con incrementi di ¼ di giro ognuno e verificare che vi sia la tensione corretta camminando sulla cinghia a bassa velocità, verificando che la cinghia non slitti. Continuare a tirare i bulloni fino a quando la cinghia non slitterà più.
- Se sentite che la cinghia è sufficientemente tesa, ma continua a slittare, il problema potrebbe essere una cinghia di trasmissione del motore lenta sotto il coperchio anteriore.
- Non serrare troppo
Un sovrasserraggio danneggerà la cinghia e causerà un guasto prematuro del cuscinetto.

Registrazione dell'orientamento della cinghia di camminamento:

Le prestazioni del vostro tapis roulant dipendono dal telaio che deve muoversi su una superficie ragionevolmente piana. Se il telaio non è in piano, il rullo anteriore e posteriore non possono andare paralleli, e potrebbe servire una registrazione continua della cinghia. Il tapis roulant è progettato per tenere la cinghia di camminamento ragionevolmente centrata durante l'uso. E' normale che alcune cinghie si spostino su un fianco se la cinghia gira senza nessuno sopra. Dopo alcuni minuti di utilizzo, la cinghia di camminamento dovrebbe iniziare a centrarsi da sola. Se, durante l'uso, la cinghia continua a spostarsi su un lato, è necessario effettuare delle registrazioni.

ECCEZIONE:

Durante la riabilitazione dove l'utente utilizza una gamba più dell'altra, potrebbe succedere che la cinghia di camminamento si sposti su un lato. In questi casi non dovrete regolarla a meno che la cinghia di camminamento non si accentri.

Per impostare l'orientamento della cinghia di camminamento (fig. F-5)

Viene fornita una chiave a brugola da 10 mm per registrare il rullo posteriore. Fare le registrazioni di orientamento solo dal lato sinistro. Impostare la velocità della cinghia a circa 3 / 5 kmh.

Ricordatevi che anche una piccola registrazione può fare moltissima differenza!

Girate il bullone in senso orario per spostare la cinghia verso destra. In senso antiorario per spostarla verso sinistra. Girare il bullone di un solo ¼ di giro e attendere qualche minuto perché la cinghia si regoli da sola. Continuare a girare con rotazioni di ¼ di giro fino a quando la cinghia non si sarà stabilizzata al centro della pedana di camminamento.

La cinghia potrebbe richiedere una registrazione dell'orientamento a seconda dell'uso e dalle caratteristiche di camminamento/corsa. Alcuni utenti influenzeranno l'orientamento in modo differente. Prevedete di fare le regolazioni richieste per centrare la cinghia. Le regolazioni diventeranno meno di una manutenzione se la cinghia è usata. Un orientamento corretto della cinghia è responsabilità del proprietario comune a tutti i tapis roulant.

⚠ NOTA

- I danni alla cinghia di camminamento causati da un orientamento/registrazione di tensione non corretti non sono coperti dalla garanzia.

Disturbi durante l'uso

Nonostante un continuo controllo della qualità, l'attrezzatura potrebbe talvolta presentare difetti e malfunzionamenti, causati da qualche singolo componente. Nella maggior parte dei casi, non c'è bisogno di mettersi a far riparare tutta l'attrezzatura, ma generalmente basta sostituire il pezzo o la parte difettosa.

Se l'attrezzo non funziona bene durante l'uso o se si ha bisogno dei pezzi di ricambio, contatta il tuo rivenditore Tunturi indicando che cosa si tratta, le condizioni in cui lo usi, la data di acquisto, il modello e il numero di serie del tuo attrezzo. Si raccomanda di utilizzare sempre pezzi di ricambio originali.

Se si richiedono parti di ricambio, fornire sempre il modello, il numero di serie dell'apparecchiatura e il numero di parte di ricambio per la parte necessaria. L'elenco dei pezzi di ricambio è sul retro di questo manuale. Utilizzare solo pezzi di ricambio citati nell'elenco delle parti di ricambio.

Codici di errore

Se il display mostra un codice di errore (contrassegnato con "E" + numero), riavviare l'apparecchio e controllare se il display continua a riportare il codice di errore. Se il display continua a riportare il codice di errore, contattare immediatamente il rivenditore.

Trasporto e stoccaggio

⚠ ATTENZIONE

- Prima di qualsiasi intervento di pulizia o manutenzione, scollegare la spina di alimentazione dalla presa a muro.
- Per trasportare e spostare l'apparecchio sono necessarie almeno due persone.
- Verificare che non siano presenti persone o oggetti sotto l'apparecchio.
- Ripiegando l'apparecchio, porre attenzione che si blocchi in posizione con uno scatto per evitare che ricada giù.

⚠ AVVISO

- Prima di piegare l'apparecchio, verificare che l'inclinazione sia 0%. Se l'inclinazione non è 0%, ripiegando l'apparecchio si può danneggiare il meccanismo.
- Spostare l'apparecchio come illustrato (fig. E3). Spostare l'apparecchio e abbassarlo con cura. Collocare l'apparecchio su una base protettiva per evitare danni alla superficie del pavimento. Spostare l'apparecchiatura con attenzione sulle superfici irregolari. Non spostare l'apparecchio al piano superiore utilizzando le ruote ma sostenerlo per le impugnature.
- Riporre l'apparecchio in posizione verticale (fig. E2). Riporre l'apparecchio in un luogo asciutto con la minore variazione di temperatura possibile.

Informazioni aggiuntive

Smaltimento dell'imballo

Le linee guida governative chiedono di ridurre la quantità di rifiuti smaltiti nelle discariche. Per questo vi chiediamo di smaltire in modo responsabile tutti i rifiuti d'imballo presso dei centri di riciclaggio pubblici.

Smaltimento a fine vita

Noi di Tunturi speriamo che possiate godervi molti anni di piacevole uso dal nostro fitness trainer. Tuttavia, arriverà il momento quando il vostro fitness trainer arriverà alla fine della sua vita utile. Secondo la Legislazione Europea WEEE voi siete responsabili per uno smaltimento appropriato del vostro fitness trainer presso una struttura di raccolta pubblica autorizzata.

Dati tecnici

Parametro	Unità di misura	Valore
Tensione di alimentazione	Vca	210 ~ 240
Frequenza di alimentazione	HZ	50 ~ 60
Motore	CV	2.5 5.5 Max.
Velocità	Km/H	0.5 ~ 16.0
Velocità	Mph	0.3 ~ 10.0
Inclinazione	Step	0 ~ 15
Lunghezza (ripiegato)	Cm	193.0 (137.0)
Lunghezza (ripiegato)	Inch	76.0 (53.9)
Larghezza	Cm	82.5
Larghezza	Inch	32.5
Altezza (ripiegato)	Cm	149.0 (155.0)
Altezza (ripiegato)	Inch	58.7 (61.0)
Peso	Kg	117.0
Peso	Lbs	257.9
Peso massimo utente	Kb	150
Peso massimo utente	Lbs	330
Ricevitore per la frequenza cardiaca telemetrico	Khz	5.3 Khz

Dichiarazione del fabbricante

Tunturi New Fitness BV dichiara che questo prodotto è conforme ai seguenti standard e direttive: EN 957 (HA), 89/336/CEE. Pertanto sul prodotto è apposto il marchio CE.

12-2019

Tunturi New Fitness BV
Purmerweg 1
1311 XE Almere
Paesi Bassi

Clausola di esonero della responsabilità

© 2019 Tunturi New Fitness BV
Tutti i diritti riservati.

Il prodotto e il manuale sono soggetti a modifiche. Le specifiche tecniche possono essere modificate senza preavviso. Vedere il nostro sito Web per la versione del manuale più recente.

Español

Este manual español es una traducción del texto inglés. No se pueden derivar derechos de esta traducción. El texto original en inglés prevalecerá.

Índice

Cinta de correr	74
Advertencias de seguridad	74
Seguridad eléctrica	74
Instrucciones de montaje	75
Descripción (fig. A)	75
Package contents (fig. B&C).....	75
Montaje (fig. D)	75
Accesorios (fig. H)	75
Sesiones de ejercicio	75
Ejercicio Instrucciones	75
Del ritmo cardíaco.....	76
Uso	76
Consola (fig. E-1)	77
Botones	77
Explicación de los elementos de la pantalla (Fig. H)	78
Función USB	78
Menú de programas	78
Inicio rápido	78
Pausa/fin del entrenamiento	78
Objetivo de frecuencia cardíaca	79
Manual	79
Programas preestablecidos.....	79
Entrenamientos propios	80
Test de fitness.....	80
T-Road	80
Modo Bluetooth	81
Usuario	81
Registro de usuario	81
Configuración de usuario.....	81
Configuración de usuario.....	81
Eliminar usuario.....	81
Cambio de usuario.....	81
Crear usuario	81
Garantía	82
Limpieza y mantenimiento	82
Lubricación (fig. F-4).....	83
Defectos De Funcionamiento	83
Códigos de error.....	84
Transporte y almacenamiento	84
Información adicional.....	84
Datos técnicos	84
Declaración del fabricante	84
Descargo de responsabilidad	84

Cinta de correr

¡Bienvenido al mundo de Tunturi Fitness!

Le agradecemos la compra de esta máquina Tunturi. Tunturi ofrece una amplia gama de máquinas de fitness profesionales como bicicletas elípticas, cintas de correr y bicicletas de ejercicio. La máquina Tunturi es adecuada para toda la familia, independientemente del nivel de forma física. Si desea información adicional, visite nuestro sitio web www.tunturi.com

Información y precauciones

Lea atentamente esta guía antes del montaje, uso o mantenimiento de su equipo de ejercicio. Mantenga esta guía en lugar seguro; le brindará hoy y en el futuro la información que necesite para usar y mantener su equipo. Siga siempre atentamente sus instrucciones.

Advertencias de seguridad

⚠ ADVERTENCIA

- Lea las advertencias de seguridad y las instrucciones. De no seguirse las advertencias de seguridad y las instrucciones pueden producirse lesiones personales o daños en la máquina. Conserve las advertencias de seguridad y las instrucciones para su consulta posterior.

⚠ ADVERTENCIA

- Los sistemas de motorización de frecuencia cardíaca pueden ser imprecisos. Un exceso de ejercicio puede provocar lesiones graves o incluso la muerte. Si se siente mareado, deje de hacer ejercicio inmediatamente.
- La máquina es adecuada únicamente para uso doméstico y profesional (p. ej. hospitales, cuarteles de bomberos, hoteles, colegios, etc.). El uso máx. está limitado a 6 horas al día. La máquina no es adecuada para un uso comercial completo (p. ej. gimnasios de gran tamaño).
- El uso de esta máquina por niños o por personas con una discapacidad física, sensorial o motora, o falta de experiencia y conocimientos, puede dar lugar a situaciones de riesgo. Las personas responsables de su seguridad deben dar instrucciones explícitas o supervisar el uso de la máquina.
- Antes de empezar a hacer ejercicio, consulte con un médico para comprobar su estado de salud.
- Si experimenta náuseas, mareos u otros síntomas anormales, deje de hacer ejercicio inmediatamente y consulte con un médico.
- Para evitar dolor y tensión muscular, realice un calentamiento antes de empezar a hacer ejercicio y termine haciendo relajación. Recuerde hacer estiramientos al final de la sesión de ejercicio.
- La máquina es adecuada únicamente para uso en interior. La máquina no es adecuada para un uso en exterior.
- Utilice la máquina únicamente en lugares con una ventilación adecuada. No utilice la máquina en lugares donde haya corriente para no resfriarse.
- Utilice la máquina únicamente en lugares con una temperatura ambiente entre 10 °C y 35 °C. Almacene la máquina únicamente en lugares con una temperatura ambiente entre 5 °C y 45 °C.
- No utilice ni almacene la máquina en espacios húmedos. La humedad del aire no debe ser superior al 80%.
- Utilice la máquina sólo para su uso previsto. No la utilice para otros fines que no sean los descritos en el manual.
- La máquina no debe utilizarse si alguna de las piezas ha sufrido daños o tiene algún defecto. Contacte con su proveedor si alguna de las piezas ha sufrido daños o tiene algún defecto.
- Mantenga las manos, los pies y demás partes del cuerpo alejadas de las piezas móviles.
- Mantenga el pelo alejado de las piezas móviles.
- Lleve ropa y calzado adecuado.
- Mantenga la ropa, las joyas y otros objetos alejados de las piezas móviles.
- Asegúrese de que sólo una persona utilice la máquina cada vez. La máquina no debe ser utilizada por personas cuyo peso supere los 150 kg (330 lbs).
- No abra la máquina sin consultar con su proveedor.

Seguridad eléctrica

(Aplicable sólo para máquinas con limitación eléctrica)

- Antes del uso, compruebe siempre que la tensión de red sea la misma que la tensión indicada en la placa de características de la máquina.
- No utilice un cable alargador.
- Mantenga el cable de red alejado del calor, de aceite y de bordes afilados.
- No altere ni modifique el cable de red o el enchufe de red.
- No utilice la máquina si el cable de red o el enchufe de red ha sufrido daños o tiene algún defecto. Si el cable de red o el enchufe de red ha sufrido daños o tiene algún defecto, contacte con su proveedor.

- Desenrolle siempre el cable de red en su totalidad.
- No pase el cable de red debajo de la máquina. No pase el cable de red debajo de una alfombra. No coloque ningún objeto sobre el cable de red.
- Asegúrese de que el cable de red no cuelgue sobre el borde de una mesa. Asegúrese de que el cable de red no quede atrapado y que no sea posible tropezarse con él.
- No deje la máquina desatendida cuando el enchufe de red esté insertado en la toma de pared.
- No tire del cable de red para sacar el enchufe de la toma de pared.
- Retire el enchufe de red de la toma de pared cuando la máquina no se esté utilizando, antes del montaje o el desmontaje o antes de la limpieza y el mantenimiento.

⚠ ADVERTENCIA

- Si la tensión varía en un diez por cien (10%) o más, esto podrá afectar al rendimiento de la cinta. Esta situación no está cubierta por la garantía. Si sospecha que la tensión es baja, póngase en contacto con su compañía eléctrica o un electricista autorizado para que lo compruebe.

⚠ ADVERTENCIA

- No use NUNCA una toma de corriente de pared RCD -dispositivo de corriente residual (ver. EE.UU. = GFCI)- con esta cinta de correr. Como ocurre con cualquier aparato con un motor grande, el RCD/GFCI se disparará a menudo. Sitúe el cable de alimentación lejos de cualquier pieza móvil de la cinta, incluido el mecanismo de elevación y las ruedas de transporte.

Instrucciones de toma de tierra

Este producto deberá tener una toma de tierra. Si el sistema eléctrico de la cinta se averiara o fallara, la toma de tierra proporciona una ruta de menos resistencia para la corriente eléctrica, reduciendo el riesgo de descarga eléctrica. Este producto está equipado con un cable que tiene un enchufe de toma de tierra de equipo. El enchufe se deberá enchufar en una toma adecuada que esté instalada correctamente y esté conectada a tierra conforme a todos los códigos y disposiciones locales.

⚠ ADVERTENCIA

- Una conexión inadecuada del conductor de toma de tierra del equipo podrá provocar un riesgo de descarga eléctrica. Compruebe con un electricista cualificado o persona de mantenimiento si tiene dudas sobre si el producto está conectado a tierra correctamente. No modifique el enchufe proporcionado con el producto si no encaja en la toma; encargue a un electricista cualificado que le instale una toma adecuada.

Instrucciones de montaje

Descripción (fig. A)

La cinta de correr es una máquina estacionaria de fitness que se utiliza para simular la acción de caminar o correr sin generar una presión excesiva en las articulaciones.

Package contents (fig. B&C)

- El paquete contiene los elementos que se muestran en la fig. B.
- El paquete contiene los elementos de fijación que se muestran en la fig. C. consulte la sección "Descripción".

🔧 NOTA

- Si falta una pieza, contacte con su proveedor.

Montaje (fig. D)

⚠ ADVERTENCIA

- Monte la máquina en el orden indicado.
- Al menos dos personas deben transportar y mover la máquina.

⚠ ADVERTENCIA

- Coloque la máquina sobre una superficie firme y nivelada.
- Coloque la máquina sobre una base protectora para evitar daños en la superficie del suelo.
- Deje unos 100 cm de espacio alrededor de la máquina.

- Consulte las ilustraciones para el correcto montaje de la máquina.

Accesorios (fig. H)

!! NOTA

- La ilustración que se muestra muestra cómo se verá el entrenador con los pasamanos extendidos adecuados.
- Los pasamanos adicionales extendidos se pueden comprar como accesorio.
- Article nr: 19TRNRH000

Póngase en contacto con su distribuidor para obtener más información.

Sesiones de ejercicio

La sesión de ejercicio debe ser ligera, pero de larga duración. El ejercicio aeróbico se basa en mejorar el consumo de oxígeno máximo del cuerpo, lo que a su vez mejora la resistencia y la forma física. Debe transpirar, pero no debe quedarse sin aliento durante la sesión de ejercicio. Para lograr y mantener un nivel de forma física básico, debe realizar ejercicio al menos tres veces a la semana, 30 minutos cada vez. Aumente el número de sesiones de ejercicio para mejorar su nivel de forma física. Vale la pena combinar el ejercicio regular con una dieta sana. Una persona que se encuentre a dieta debe realizar ejercicio a diario, al principio 30 minutos o menos cada vez, aumentando gradualmente el tiempo de ejercicio diario hasta una hora. Empiece la sesión de ejercicio a velocidad baja y resistencia baja para evitar que el sistema cardiovascular se vea sometido a una tensión excesiva. A medida que mejore el nivel de forma física, pueden aumentarse gradualmente la velocidad y la resistencia. La eficiencia de su ejercicio puede medirse supervisando su frecuencia cardíaca y sus pulsaciones.

Ejercicio Instrucciones

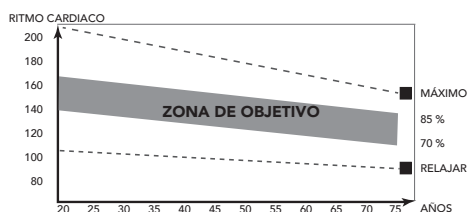
El uso de su entrenador le aportará muchas ventajas, mejorará su tono físico, tonificará los músculos y, combinado con una dieta con un consumo controlado de calorías, le ayudará a perder peso.

Fase de calentamiento

Esta fase mejora la circulación y favorece el buen funcionamiento de los músculos. Asimismo, reduce el riesgo de calambres y de lesiones musculares. Es conveniente realizar una serie de ejercicios de estiramiento, como se muestra más abajo. Al estirar se debe mantener la posición durante unos 30 segundos; no fuerce los músculos ni realice movimientos bruscos para estirarlos, si duele, PARE inmediatamente.

Fase de ejercicio

Esta es la fase de esfuerzo. Tras un uso regular, los músculos de las piernas irán ganando flexibilidad. Es importante mantener un ritmo estable durante toda esta fase. El ejercicio debe ser lo suficientemente fuerte como para incrementar el ritmo cardíaco hasta el objetivo que se muestra en el siguiente cuadro.



Esta fase debe tener una duración mínima de 12 minutos, aunque la mayoría de las personas empiezan a los 15-20 minutos.

Fase de enfriamiento

La finalidad de esta fase es permitir que se relaje el sistema cardiovascular y los músculos. Es una repetición del ejercicio de calentamiento, por lo que debe ir reduciendo el ritmo de manera constante durante unos 5 minutos. En este momento debe repetir también los ejercicios de estiramiento, evitando de nuevo forzar los músculos o hacer movimientos bruscos.

A medida que vaya mejorando su forma física, es posible que el entrenamiento tenga que ser más largo e intenso. Es aconsejable entrenarse al menos tres veces a la semana, espaciando de manera uniforme, en la medida de lo posible, los entrenamientos durante la semana.

Tonificación muscular

Si quiere tonificar los músculos mientras trabaja con el aparato, deberá ajustar la resistencia en un nivel bastante alto. Así aumentará la tensión sobre los músculos de las piernas, con lo que es posible que no pueda entrenarse durante todo el tiempo que le gustaría. Si quiere mejorar su condición física, tendrá que modificar también el programa de entrenamiento. El entrenamiento durante las fases de calentamiento y enfriamiento será igual, pero debe aumentar la resistencia hacia el final de la fase de ejercicio para incrementar el esfuerzo del tren inferior. Tendrá que reducir la velocidad para mantener el ritmo cardíaco en la zona objetivo.

Pérdida de peso

El factor determinante en este sentido es el esfuerzo realizado. Cuanto más intenso y prolongado sea el ejercicio físico, más calorías quemará. En realidad, es lo mismo que si se entrenara para mejorar la condición física, lo que cambia es el objetivo.

Del ritmo cardíaco

Medición de las pulsaciones (sensor de pulsaciones de mano)

Las pulsaciones se miden con unos sensores en los manillares cuando el usuario toca ambos sensores al mismo tiempo. ligeramente húmeda y tocar constantemente los sensores de pulsaciones de mano. Si la piel está demasiado seca o demasiado húmeda, la medición de las pulsaciones puede resultar menos precisa.

NOTA

- No utilice los sensores de pulsaciones de mano en combinación con una correa en el pecho para la frecuencia cardíaca.
- Si define un límite de frecuencia cardíaca para su sesión de ejercicio, cada vez que éste se supere sonará una alarma.

Medición de la frecuencia cardíaca (correa en el pecho para la frecuencia cardíaca)

NOTA

- Una correa de pecho no viene de serie con este entrenador. Cuando te gusta usar una correa de cofre inalámbrica, debes comprarla como accesorio.

La medición más precisa de la frecuencia cardíaca se logra con una correa en el pecho para la frecuencia cardíaca. La frecuencia cardíaca se mide con un receptor de frecuencia cardíaca en combinación con una correa transmisora de la frecuencia cardíaca. Para una medición precisa de la frecuencia cardíaca es necesario que los electrodos de la correa transmisora estén ligeramente húmedos y que toquen constantemente la piel. Si los electrodos están demasiado secos o

demasiado húmedos, la medición de la frecuencia cardíaca puede resultar menos precisa.

ADVERTENCIA

- Si usted tiene un marcapasos, consulte con un médico antes de utilizar una correa en el pecho para la frecuencia cardíaca.

PRECAUCIÓN

- Si hay varios dispositivos de medición de frecuencia cardíaca en proximidad, asegúrese de que la distancia entre ellos sea de al menos 2 metros.
- Si sólo hay un receptor de frecuencia cardíaca y varios transmisores, asegúrese de que sólo una persona con un transmisor se encuentre en la zona de transmisión.

NOTA

- No utilice una correa en el pecho para la frecuencia cardíaca en combinación con sensores de pulsaciones de mano.
- Lleve siempre la correa en el pecho para la frecuencia cardíaca debajo de la ropa, en contacto directo con la piel. No lleve la correa en el pecho para la frecuencia cardíaca por encima de la ropa. Si lleva la correa en el pecho para la frecuencia cardíaca por encima de la ropa, no habrá señal.
- Si define un límite de frecuencia cardíaca para su sesión de ejercicio, cada vez que éste se supere sonará una alarma.
- El transmisor transmite la frecuencia cardíaca a la consola hasta una distancia de 1,5 metro. Si los electrodos no están húmedos, la frecuencia cardíaca no aparece en la pantalla.
- Algunas fibras de la ropa (p. ej. poliéster, poliamida) generan electricidad estática, la cual puede impedir la medición precisa de la frecuencia cardíaca.
- Los teléfonos móviles, las televisiones y otros aparatos eléctricos generan un campo electromagnético que puede impedir la medición precisa de la frecuencia cardíaca.

Frecuencia cardíaca máxima (durante el entrenamiento)

alcanzar una persona de forma segura por la tensión del ejercicio. Se utiliza la siguiente fórmula para calcular la frecuencia cardíaca máxima media: $220 - \text{EDAD}$. La frecuencia cardíaca máxima varía según la persona.

ADVERTENCIA

- Asegúrese de no superar la frecuencia cardíaca máxima durante la sesión de ejercicio. Si usted se encuentra en un grupo de riesgo, consulte con un médico.

Principiante

50-60% de frecuencia cardíaca máxima

Adecuada para principiantes, personas que cuidan la línea, convalecientes y personas que no han hecho ejercicio en mucho tiempo. Haga ejercicio al menos tres veces a la semana, 30 minutos cada vez.

Avanzado

60-70% de frecuencia cardíaca máxima

Adecuada para personas que desean mejorar y mantener la forma física. Haga ejercicio al menos tres veces a la semana, 30 minutos cada vez.

Experto

70-80% de frecuencia cardíaca máxima

Adecuado para personas con muy buena forma física que están acostumbradas a sesiones de ejercicio de gran resistencia.

Uso

Interruptor de alimentación principal (fig. E-2A)

La máquina está equipada con un interruptor de alimentación principal para poder a pagarla completamente.

Para poner en marcha la máquina:

- Inserte el enchufe de red en la máquina.
- Inserte el enchufe de red en la toma de pared.
- Sitúe el interruptor de alimentación principal en la posición de encendido (ON).

The console application will start loading in the following order:

Stage 1: "Tunturi" logo is display for a few seconds.

Stage 2: "Loading..." is blinking in display.

Stage 3: 3 Acoustic beeps will be heard.

The main menu will open in where "Quick start" is selected as default. Trainer is now ready for use.

Para parar la máquina:

- Sitúe el interruptor de alimentación principal en la posición de apagado (OFF).
- Retire el enchufe de red de la toma de pared.
- Retire el enchufe de red de la máquina.

NOTE

- Avoid switching off the equipment when there is a data saving activity, to avoid data to be lost.

Llave de seguridad (fig. F-4)

La máquina está equipada con una llave de seguridad que debe insertarse correctamente en la consola para poner en marcha la máquina. Si retira la llave de seguridad de la consola, la máquina se para inmediatamente.

- Inserte la llave de seguridad en la ranura de la consola.
- Asegúrese de que la pinza de la llave de seguridad esté bien sujeta a su ropa. Asegúrese de no retirar la pinza de su ropa antes de retirar la llave de seguridad de la consola.

NOTE

- La consola mostrará el código "Por favor devuelva la llave de seguridad" cuando la llave de seguridad no esté en posición durante el inicio.

Disyuntor (Fig. E-2B)

La máquina está equipada con un disyuntor que interrumpe el circuito cuando la carga eléctrica está por encima de la capacidad máxima. Cuando esto ocurra, debe pulsarse el disyuntor.

ADVERTENCIA

- Antes de pulsar el disyuntor, retire el enchufe de red de la máquina.

Si la máquina se apaga, haga lo siguiente para reiniciarla:

- Retire el enchufe de red de la máquina.
- Pulse el disyuntor para reiniciar la máquina.
- Inserte el enchufe de red en la máquina.

NOTE

- Algunos disyuntores usados en las casas no son idóneos para elevadas corrientes de irrupción que pueden producirse cuando se enciende por primera vez una cinta de correr o incluso durante el uso normal. Si la cinta está disparando el disyuntor (incluso aunque sea de la clase de corriente correcta y la cinta sea el único aparato del circuito), pero el disyuntor de la cinta en sí no se dispara, tendrá que sustituir el disyuntor por uno de clase de irrupción elevada. No es un defecto cubierto por la garantía. Es una situación que nosotros, como fabricantes, no podemos controlar.

Desplegado y plegado de la máquina (fig. F1-F2)

La máquina puede desplegarse para su uso (fig. F1) y plegarse para el transporte y el almacenamiento (fig. F2).

Consulte las ilustraciones para conocer la forma correcta de desplegar y plegar la máquina.

ADVERTENCIA

- Asegúrese que la elevación de la cinta de correr está al 0% antes de plegarla. Si la elevación no está al 0%, plegarla podría dañar el mecanismo.

Ajuste de los pies de soporte

La máquina está equipada con 6 pies de soporte. Si la máquina no está estable, es posible ajustar los pies de soporte.

- Gire los pies de soporte tanto como sea necesario para estabilizar la máquina.
- Apriete las contratueras para bloquear los pies de soporte.

NOTE

- La máquina es más estable cuando todos los pies de soporte están totalmente girados hacia dentro. Por tanto, empiece a nivelar la máquina girando totalmente hacia dentro todos los pies de soporte, antes de girar hacia fuera el pie de soporte necesar

Consola (fig. E-1)**PRECAUCIÓN**

- Mantenga la consola alejada de la luz solar directa.
- Seque la superficie de la consola cuando esté cubierta de gotas de sudor.
- No se apoye en la consola.
- Toque la pantalla únicamente con la punta del dedo. Asegúrese de no tocar la pantalla con las uñas ni objetos afilados.

NOTE

- La consola pasa al modo de espera activa cuando la máquina no se usa durante 4 minutos.

Botones**Enter/ Start (Enter/Start)**

- Confirmación de modo deportivo
- Opción de confirmación en modo Usuario/Configuración
- Confirmación de elemento en funcionamiento en la pantalla de ajustes
- Ajustar confirmación de valor.
- Cambio en la pantalla principal entre bpm / perfil de inclinación
- Cambio en la pantalla principal entre Vídeo / Perfil durante T-Road

Back/ Stop

- Volver a la ventana anterior
- Detiene el entrenamiento activo

User/ + (scale up)

- Abrir la configuración del usuario.
- Aumentar la intensidad en modo de entrenamiento. Pulse una vez para incrementar un 1 %
- Mantenga pulsado para aumentar la intensidad más rápidamente.

¡ATENCIÓN!

- No se puede modificar el perfil, por lo que la intensidad más alta programada es el límite al que se puede incrementar.

Select/ - (scale down)

- Enciende el monitor de la pantalla LED.
- Disminuye la intensidad del modo de entrenamiento. Pulse una vez para disminuir un 1 %
- Mantenga pulsado para bajar la intensidad más rápidamente.

¡ATENCIÓN!

- No se puede modificar el perfil, por lo que la intensidad más baja programada es el límite al que se puede disminuir.

Speed +

- Aumenta la velocidad (0,5 ~ 16,0 km/h).
- Cada pulsación aumenta la velocidad 0,1 km/h.
- Si se mantiene pulsado durante dos segundos la velocidad aumenta más rápidamente.
- Desplácese por los programas y cambie los valores en modo de programación.

Speed -

- Reduce la velocidad (0,5 ~ 16,0 km/h).
- Cada pulsación reduce la velocidad 0,1 km/h.
- Si se mantiene pulsado durante dos segundos la velocidad disminuye más rápidamente.
- Desplácese por los programas y cambie los valores en modo de programación.

Teclas de acceso rápido de control de la velocidad:

Las teclas de acceso rápido de velocidad son: 6, 9, 12. (Métrico 3,7/ 5,6/ 7,5)

Por ejemplo, la velocidad cambia de cualquier velocidad a 9 km/h pulsando la tecla de acceso rápido de velocidad 9.

Teclas de acceso rápido de velocidad del manillar:

- + La misma que Speed +.
- - La misma que Speed -.

Incline control +

- Aumenta la inclinación (0 ~ 15 +1).
- Desplácese por los programas y cambie los valores en modo de programación.

Incline control -

- Reduce la inclinación (0 ~ 15 -1).
- Desplácese por los programas y cambie los valores en modo de programación.

Teclas de acceso rápido de control de la inclinación.

Las teclas de acceso rápido de inclinación se configuran como 0, 5, 10.

Por ejemplo, el nivel de inclinación cambia de cualquier nivel a 5 pulsando la tecla de acceso rápido de inclinación 5.

Teclas de acceso rápido de inclinación del manillar:

- + : La misma que Incline +.
- - : La misma que Incline -.

Explicación de los elementos de la pantalla (Fig. H)**Velocidad**

- Muestra la velocidad real de la cinta en modo de entrenamiento.

Inclinación

- Muestra la inclinación real de la cinta en modo de entrenamiento.

Distancia

- Muestra la distancia recorrida en modo de entrenamiento.
- Muestra la distancia que queda cuando el entrenamiento está en modo cuenta atrás.

Tiempo

- Muestra el tiempo de entrenamiento en modo de entrenamiento.
- Muestra el tiempo que queda cuando el entrenamiento está en modo cuenta atrás.

Paso

- Muestra el número de pasos que ha caminado / corrido durante el entrenamiento.

Ritmo cardíaco

- Muestra la frecuencia cardíaca en modo de entrenamiento, o "P" cuando no se mide la frecuencia.

Calorías/ Energía

- Muestra las kilocalorías consumidas en modo de entrenamiento.
- Muestra las kilocalorías que quedan cuando el entrenamiento está en modo cuenta atrás.

¡ATENCIÓN!

- Estos datos sirven como guía para comparar sesiones distintas de ejercicio que no se pueden utilizar en tratamientos médicos.

¡ATENCIÓN!

- Las pantallas LED de tiempo/pasos, ritmo cardíaco/inclinación y calorías/distancia se actualizan cada 5 segundos.

Pantalla de perfil general

- La línea inferior de izquierda a derecha indica el tiempo en minutos entre 0~30. Se actualiza cada 15 minutos durante el entrenamiento
- La barra lateral de la izquierda, en sentido descendente, muestra la inclinación o el valor bpm durante el entrenamiento, pulse el botón "Enter/Start" para cambiar entre Inclinación/bpm. (La inclinación aparece en azul, mientras que los bpm se muestran en rojo)
- La barra lateral derecha, en sentido descendente, muestra la velocidad.
- La línea blanca de puntos indica la posición actual, que avanza hacia la derecha al aumentar el tiempo de entrenamiento. La pantalla de entrenamiento puede mostrar como máximo los datos de 5 horas.
- La curva naranja indica el ritmo cardíaco del usuario, que va variando al aumentar o reducirse la frecuencia cardíaca.

Función USB

El puerto USB solamente se puede utilizar para labores de mantenimiento, como actualizaciones del software con una unidad USB.

¡ATENCIÓN!

- Si el equipo funciona bien y no hay motivos para pensar que la funcionalidad del software esté comprometida, recomendamos no cambiarlo, a menos que estén disponibles nuevas funciones.
- Póngase en contacto con su centro de servicio antes de actualizar el software, para que puedan proporcionarle el archivo de actualización correcto y más reciente.

Menú de programas**Inicio rápido**

- Utilice los botones "Speed & Incline + / -" para navegar por el menú principal y seleccione "Quick start".
- Pulse "Enter/Start" para confirmar e inicie la cuenta atrás de 3 segundos para activar el modo de inicio rápido.
- El equipo arrancará a la velocidad mínima si no hay otra configuración.

Durante el modo de entrenamiento

- Con las teclas "Speed control" puede ajustar la velocidad a sus necesidades en cualquier momento.
- Utilice las teclas "Incline control" para ajustar la inclinación a sus necesidades en cualquier momento.

Pausa/fin del entrenamiento

Pulse el botón "Back/Stop" en cualquier momento para detener el entrenamiento activo. El equipo se pondrá en modo de pausa y la pantalla le ofrecerá tres opciones. Use los botones "Speed & Incline + / -" para seleccionar la opción elegida.

Continúe:

Seleccione "Continue" para volver al entrenamiento y en la pantalla aparecerá la cuenta atrás de 3 segundos antes de reanudar el entrenamiento en pausa.

Exit:

Seleccione "Exit" para detener el entrenamiento y en la pantalla se mostrará la información de la "Última sesión". Muestra un resumen del entrenamiento.

Save&Exit

Seleccione "Save&Exit" y guarde el archivo en "Own Trainings"

- El modo de nombrado de archivos se abrirá en la burbuja de ventanas emergentes en la parte inferior del botón "Save&Exit".
- Pulse el botón "Enter/ Start" para abrir la opción de edición de texto, en la que aparece una "A"
- Cámbielo a su gusto con los botones "Speed & Incline + / -" y confirme el carácter con el botón "Enter/ Start", para abrir el siguiente carácter.
- Complete el nombre de archivo repitiendo este procedimiento.
- Una vez completado el nombre del archivo, seleccione la "V" y la pantalla mostrará la información de la "Última sesión". Muestra un resumen del entrenamiento.

¡ATENCIÓN!

- Para guardar los datos de entrenamiento es necesario tener 10 minutos o 3 km de datos de perfil de entrenamiento.
- No se pueden guardar datos de entrenamiento en modo Test de fitness o T-Road.

Objetivo de frecuencia cardíaca

- Utilice los botones "Speed & Incline + / -" para navegar por el menú principal y seleccione "Target HR"
- Pulse "Enter/Start" para confirmar y acceder a la pantalla de configuración.

Pantalla de programación de objetivo de frecuencia cardíaca

En la pantalla aparece "target heart rate Range 80 - 220 bpm"

- Use los botones "Speed & Incline + / -" para seleccionar el objetivo de frecuencia cardíaca deseado y confirme pulsando "Enter/Start".
- Al modificar el parámetro, el porcentaje máximo de frecuencia cardíaca se actualizará en función de la edad del usuario seleccionado.

Pantalla de programación del objetivo de duración del entrenamiento

- Use los botones "Speed & Incline + / -" para seleccionar un objetivo de Energía, Tiempo o Distancia y confirme pulsando "Enter/Start".
- Use los botones "Speed & Incline + / -" para seleccionar la duración deseada y confirme pulsando "Enter/Start".

Energía:	Rango 50 ~ 2000	Predeterminado
200 ± 50.		
Tiempo:	Rango 10 ~ 180	Predeterminado
200 ± 30.		
Distancia:	Rango 3 ~ 100	Predeterminado 10 ± 1.
- Pulse "Enter/Start" para confirmar e inicie la cuenta atrás de 3 segundos para activar el modo "Target HR".

El programa "Target HR" controla la frecuencia cardíaca.

La intensidad de los entrenamientos se ajustará automáticamente en función de la frecuencia cardíaca del usuario y del objetivo de frecuencia cardíaca preseleccionado.

Si la frecuencia cardíaca del usuario está por debajo del objetivo, la intensidad aumentará.

Si la frecuencia cardíaca del usuario está por encima del objetivo, la intensidad se reducirá.

Durante el modo de entrenamiento

- Con las teclas "Speed control" puede ajustar la velocidad a sus necesidades en cualquier momento.
- Utilice las teclas "Incline control" para ajustar la inclinación a sus necesidades en cualquier momento.

¡ATENCIÓN!

- Si se ajusta manualmente la intensidad, la consola seguirá actuando como lo haría conforme a la configuración de objetivo de frecuencia cardíaca.
- Aparecerá el mensaje "No Heart Rate" si no se detecta la frecuencia cardíaca del usuario durante el entrenamiento.

Para "Pausa/fin del entrenamiento", véase la sección inicial de este manual.

Manual

- Utilice los botones "Speed & Incline + / -" para navegar por el menú principal y seleccione "manual"
- Pulse "Enter/Start" para confirmar y acceder a la pantalla de configuración.

Pantalla de programación del objetivo de duración del entrenamiento

- Use los botones "Speed & Incline + / -" para seleccionar un objetivo de Energía, Tiempo o Distancia y confirme pulsando "Enter/Start".
- Use los botones "Speed & Incline + / -" para seleccionar la duración deseada y confirme pulsando "Enter/Start".

Energía:	Rango 50 ~ 2000	Predeterminado
200 ± 50.		
Tiempo:	Rango 10 ~ 180	Predeterminado
200 ± 30.		
Distancia:	Rango 3 ~ 100	Predeterminado 10 ± 1.
- Pulse "Enter/Start" para confirmar e inicie la cuenta atrás de 3 segundos para activar el modo "Manual".

Todos los programas de perfil preestablecidos controlan automáticamente la intensidad.

Durante el modo de entrenamiento

- Con las teclas "Speed control" puede ajustar la velocidad a sus necesidades en cualquier momento.
- Utilice las teclas "Incline control" para ajustar la inclinación a sus necesidades en cualquier momento.

Para "Pausa/fin del entrenamiento", véase la sección inicial de este manual.

Programas preestablecidos

Utilice los botones "Speed & Incline + / -" para navegar por el menú principal y seleccione "Programas preestablecidos"

- Pulse "Enter/Start" para confirmar y acceder a la pantalla de selección de programas.
- Use los botones "Speed & Incline + / -" para seleccionar un "Programa preestablecido"
 - Hay 5 perfiles que permiten controlar la velocidad. La previsualización gráfica del perfil aparece en verde.
 - Hay 5 perfiles que permiten controlar la inclinación. La previsualización gráfica del perfil aparece en azul.
- Pulse "Enter/Start" para confirmar y acceder a la pantalla de configuración.

Pantalla de programación del objetivo de duración del entrenamiento

- Use los botones "Speed & Incline + / -" para seleccionar un objetivo de Energía, Tiempo o Distancia y confirme pulsando "Enter/Start".
- Use los botones "Speed & Incline + / -" para seleccionar la duración deseada y confirme pulsando "Enter/Start".

Energía:	Rango 50 ~ 2000	Predeterminado
200 ± 50.		
Tiempo:	Rango 10 ~ 180	Predeterminado
200 ± 30.		
Distancia:	Rango 3 ~ 100	Predeterminado 10 ± 1.

- Pulse "Enter/Start" para confirmar e inicie la cuenta atrás de 3 segundos para activar el perfil seleccionado de programa preestablecido.

Durante el modo de entrenamiento

- Con las teclas "Speed control" puede ajustar la velocidad a sus necesidades en cualquier momento.
- Utilice las teclas "Incline control" para ajustar la inclinación a sus necesidades en cualquier momento.
- Use el botón "User/+ (scale up)/Select/ - (scale down)" para aumentar el perfil de programa en conjunto.

¡ATENCIÓN!

- Al ajustar manualmente la velocidad pulsando los botones "Speed control" en un perfil que controla la velocidad, la consola aplicará el cambio únicamente en la sección activa del perfil.
- Al ajustar manualmente la inclinación pulsando los botones "Incline control" en un perfil que controla la inclinación, la consola aplicará el cambio únicamente en la sección activa del perfil.
- La opción máxima/mínima de aumento está asociada a los ajustes máximos/mínimos del perfil, ya que no es posible modificar el perfil al aumentar.

Para "Pausa/fin del entrenamiento", véase la sección inicial de este manual.

Entrenamientos propios

Utilice los botones "Speed & Incline + / -" para navegar por el menú principal y seleccione "Own Trainings"

- Pulse "Enter/Start" para confirmar y acceder a la pantalla de selección de programas.

¡ATENCIÓN!

- Si no hay entrenamientos guardados, aparecerá el mensaje "No saved trainings were found".

- Utilice los botones "Speed & Incline + / -" para seleccionar un "Own training" guardado que esté disponible y se reconocerán los posibles perfiles disponibles con control de velocidad cuando: La previsualización gráfica del perfil aparezca en verde.

Se reconocerán los posibles perfiles disponibles con control de velocidad cuando: La previsualización gráfica del perfil aparezca en azul.

Pulse "Enter/Start" para confirmar y acceder a la pantalla de configuración.

Use los botones "Speed & Incline + / -" para seleccionar: "Replay", "Edit" o "Delete".

"Replay"

- Seleccione "Replay": Pulse "Enter/Start" para confirmar e inicie la cuenta atrás de 3 segundos para activar el perfil seleccionado como un programa.

"Edit"

- Use los botones "Speed & Incline + / -" para seleccionar la duración deseada y confirme pulsando "Enter/Start".
Tiempo: Rango 10 ~ 180 Predeterminado
200 ± 30.
- Pulse "Enter/Start" para confirmar e inicie la cuenta atrás de 3 segundos para activar el perfil seleccionado de programa preestablecido.

"Delete"

- Pulse el botón "Enter/Start" para confirmar y se eliminará el "Own profile" seleccionado sin avisos adicionales.

Durante el modo de entrenamiento

- Con las teclas "Speed control" puede ajustar la velocidad a sus necesidades en cualquier momento.
- Utilice las teclas "Incline control" para ajustar la inclinación a sus necesidades en cualquier momento.
- Use el botón "User/+ (scale up)/Select/ - (scale down)" para aumentar el perfil de programa en conjunto.

¡ATENCIÓN!

- Al ajustar manualmente la velocidad pulsando los botones "Speed control" en un perfil que controla la velocidad, la consola aplicará el cambio únicamente en la sección activa del perfil.
- Al ajustar manualmente la inclinación pulsando los botones "Incline control" en un perfil que controla la inclinación, la consola aplicará el cambio únicamente en la sección activa del perfil.
- La opción máxima/mínima de aumento está asociada a los ajustes máximos/mínimos del perfil, ya que no es posible modificar el perfil al aumentar.

Para "Pausa/fin del entrenamiento", véase la sección inicial de este manual.

Test de fitness

Utilice los botones "Speed & Incline + / -" para navegar por el menú principal y seleccione "Fitness test"

- Pulse "Enter/Start" para confirmar y acceder a la pantalla de selección de programas.

¡ATENCIÓN!

- Es necesario seleccionar un usuario para iniciar un test de fitness.
Si no se selecciona un usuario, se comunicará en la consola.
- Los resultados del test de fitness se guardarán en el archivo "User log".

- Pulse "Enter/Start" para confirmar e inicie la cuenta atrás de 3 segundos para comenzar el "Fitness test".

Durante el modo de entrenamiento

- Para realizar el test de fitness deberá correr durante 12 minutos.
- En estos 12 minutos podrá utilizar las teclas de "Speed control" para ajustar la velocidad y superar sus límites, puesto que cuanto más corra, mejor puntuación obtendrá.
- Es necesaria la detección de la frecuencia cardíaca para calcular los resultados del test de fitness.

Finalizar el "Fitness test"

- El test terminará automáticamente a los 12 minutos y en la pantalla aparecerá la información de la última sesión. Muestra un resumen del entrenamiento.
- Los resultados concretos de la prueba "Fitness test" se guardarán en el archivo "User log".

¡ATENCIÓN!

- El test se cancelará si se interrumpe antes de los 12 minutos.
- La pantalla avisará al usuario si no se detecta la señal de la frecuencia cardíaca.

T-Road

Utilice los botones "Speed & Incline + / -" para navegar por el menú principal y seleccione "T-Road"

- Pulse "Enter/Start" para confirmar y acceder a la pantalla de selección de programas.
- Use los botones "Speed & Incline + / -" para seleccionar uno de los tres perfiles T-Road disponibles.
- Pulse "Enter/Start" para confirmar e inicie la cuenta atrás de 3 segundos para abrir el perfil "T-Road" seleccionado.

Durante el modo de entrenamiento

- Para los perfiles T-road el objetivo de duración se fija en función de la distancia del perfil seleccionado.
- El ajuste de la inclinación se basa en el perfil seleccionado, por lo que es posible ajustar la configuración de inclinación, aunque se volverá a corregir automáticamente prácticamente al momento.
- Con las teclas "Speed control" puede ajustar la velocidad a sus necesidades en cualquier momento.
- Use el botón "Enter/ Start" para cambiar la pantalla de película a perfil.
Pantalla de película: Muestra una pista sugerente en la que la velocidad de avance fluctúa en función de la velocidad a la que corre y la inclinación del entorno se ajusta también a la configuración de inclinación de la cinta.
Pantalla de perfil: Muestra los parámetros del perfil real.

Para "Pausa/fin del entrenamiento", véase la sección inicial de este manual.

Modo Bluetooth

¡ATENCIÓN!

- Esta consola se puede conectar con una aplicación de un dispositivo inteligente por Bluetooth (iOS y Android).
- Realice la conexión Bluetooth únicamente mediante el modo de conexión de la aplicación instalada en su aparato.

Utilice los botones "Speed & Incline + / -" para navegar por el menú principal y seleccione "Bluetooth mode"

- Pulse "Enter/Start" para confirmar y acceder a la pantalla de selección de programas y después encienda el módulo BT. Se mostrará la dirección BT.
- Pulse el botón "Start/ Stop" para salir de la pantalla de modo BT y vuelva a desconectar el módulo BT si no se conecta.

¡ATENCIÓN!

- Tunturi solamente permite conectar la consola de ejercicio mediante una conexión Bluetooth. Por ello, Tunturi no se hace responsable de cualquier desperfecto o mal funcionamiento de los productos que no sean originales de Tunturi.
- Consulte la página web para más información.
www.Tunturi.com

Usuario

Pulse el botón "User/ + (scale up)" para acceder al menú de usuario.

- Use los botones "Speed & Incline + / -" para seleccionar uno de los seis submenús de usuario disponibles.
- Pulse "Enter/Start" para confirmar y acceder al submenú seleccionado.

Registro de usuario

El registro de usuario se abrirá mostrando los datos de entrenamiento de la última sesión.

- Pulse el botón "Enter/ Start" para ver los totales de sus datos de usuario personales.
- Pulse el botón "Enter/ Start" para salir del menú "User Log".

Configuración de usuario

Desde el menú "User setting" puede ajustar sus preferencias personales y ver algunos datos importantes:

- Ajustar "Contrast": El brillo (predeterminado=50 %)
- Ver "Total Distance": La distancia total de la máquina.
- Ver "Total Time": El tiempo total de funcionamiento de la máquina.
- Ver "Current Version": El software instalado actualmente.

- Ajustar "SW Upgrade": Modo de actualización de software. Sí: Permite actualizar el software por USB. No: No permite actualizar el software por USB.
- Ajustar "Language": Configuración de idioma, ilustrada con una bandera.
- Ajustar "Volume Control": Ajuste de sonido de los botones. On (sí) u off (no). Algunas notificaciones sonoras no se pueden desactivar.

Configuración

- Use los botones "Speed & Incline + / -" para seleccionar uno de los parámetros de menú ajustables.
- Pulse "Enter/Start" para confirmar y acceder al modo de edición.
- Use los botones "Speed & Incline + / -" para ajustar el parámetro.
- Pulse el botón "Enter/ Start" para confirmar.
- Pulse el botón "Back/ Stop" para salir del menú "User Setting".

Configuración de usuario

Desde el menú "User setting" puede modificar los parámetros de configuración de usuario si (ya) no son válidos.

Consulte la sección "Create User" para ver cómo ajustar y guardar los parámetros de configuración de usuario.

- Pulse el botón "Back/ Stop" para salir del menú "User Setting".

Eliminar usuario

Desde el menú "User setting" puede eliminar a un usuario de los parámetros de configuración de usuario guardados y todos los datos asociados.

- Use los botones "Speed & Incline + / -" para seleccionar el usuario que desea eliminar:
- Pulse el botón "Enter/ Start" para confirmar y se eliminará el "Own profile" seleccionado sin avisos adicionales.
- Pulse el botón "Back/ Stop" para salir del menú "User Setting".

Cambio de usuario

Desde el menú "Change User" puede cambiar entre todos los usuarios disponibles en el registro de usuarios.

- Use los botones "Speed & Incline + / -" para escoger el usuario que desea eliminar seleccionar:
- Pulse el botón "Enter/ Start" para confirmar el usuario que se muestra.
- Pulse el botón "Back/ Stop" para
- Pulse el botón "Back/ Stop" para salir del menú "User Setting".

Crear usuario

Pulse el botón "User/ + (scale up)" para acceder al menú "Create User".

- Use los botones "Speed & Incline + / -" para seleccionar uno de los nueve parámetros de datos de usuario disponibles.
- Pulse "Enter/Start" para confirmar y acceder a la ventana de ajuste de parámetros de usuario seleccionada.

Nombre de usuario:

- Pulse el botón "Enter/ Start" para abrir la opción de edición de texto, en la que aparece una "A"
- Cámbielo a su gusto con los botones "Speed & Incline + / -" y confirme el carácter con el botón "Enter/ Start", para abrir el siguiente carácter.
- Complete el nombre de archivo repitiendo este procedimiento.

- Una vez completado el nombre del archivo, seleccione “√” y la pantalla guardará el nombre y volverá al menú “Create User”.

Unidades, Pantalla

- Use los botones “Speed & Incline + / -” para seleccionar la configuración de las unidades necesarias.

	Velocidad	Distancia	Altura	Peso
Métrico	Km/h	Km	Cm	Kg
Imperial	Mph	Milla	Ft/pulgada	Lbs

- Pulse el botón “Enter/ Start” para confirmar la configuración y volver al menú “Create User”.

Pantalla

- Use los botones “Speed & Incline + / -” para seleccionar la configuración de pantalla necesaria.
Count up: el tiempo/la distancia preestablecidos se contarán en sentido ascendente
Count Down: el tiempo/la distancia preestablecidos se contarán en sentido descendente.
- Pulse el botón “Enter/ Start” para confirmar la configuración y volver al menú “Create User”.

Sexo

- Use los botones “Speed & Incline + / -” para seleccionar la configuración de sexo necesaria.
- Pulse el botón “Enter/ Start” para confirmar la configuración y volver al menú “Create User”.

Edad

- Use los botones “Speed & Incline + / -” para ajustar la configuración de edad.
Rango: 10 ~ 99 ± 1
- Pulse el botón “Enter/ Start” para confirmar la configuración y volver al menú “Create User”.

Altura

- Use los botones “Speed & Incline + / -” para ajustar la configuración de altura.
Rango: Métrico: 110 ~ 210 ± 1 / Imperial: 3’7 ~ 6’10 ± 0’1
- Pulse el botón “Enter/ Start” para confirmar la configuración y volver al menú “Create User”.

Peso

- Use los botones “Speed & Incline + / -” para ajustar la configuración de peso.
Métrico: 30 ~ 150 ± 1 / Imperial: 66 ~ 330 ± 1
- Pulse el botón “Enter/ Start” para confirmar la configuración y volver al menú “Create User”.

Frecuencia cardíaca máx.

El parámetro Frecuencia cardíaca máx. es un valor que se calcula automáticamente según su edad y sexo. Pese a ello, puede fijar su límite personal.

Hombre: el máx. es 220 - la edad. Frecuencia cardíaca

Mujer: el máx. es 226 - la edad. Frecuencia cardíaca

- Use los botones “Speed & Incline + / -” para ajustar la configuración de frecuencia cardíaca máx.

Rango: 80 ~ 220 ± 1

- Pulse el botón “Enter/ Start” para confirmar la configuración y volver al menú “Create User”.

Velocidad máx.

- Use los botones “Speed & Incline + / -” para ajustar la configuración de altura.
Métrico: 0,5 ~ 16,0 ± 0,1 / Imperial: 0,3 ~ 10,0 ± 0,1
- Pulse el botón “Enter/ Start” para confirmar la configuración y volver al menú “Create User”.

¡ATENCIÓN!

- La velocidad máx. fijada se utilizará como velocidad máxima de la cinta, en los modos de perfil manual y programado.

Garantía

Condiciones de la garantía

El consumidor tiene derecho a la aplicación de los derechos legales específicos de la legislación nacional concernientes al comercio de bienes de consumo y esta garantía no limita dichos derechos. La Garantía del Propietario sólo estará en vigor cuando el equipo se utilice en el entorno de uso permitido por Tunturi New Fitness BV para dicho equipo de ejercicio. En las instrucciones de uso de cada aparato se especifica el entorno de uso permitido para el mismo.

Términos de la garantía

Los términos de la garantía comenzarán el día de la compra. Los términos de garantía pueden variar por país, así que consulte con su distribuidor local para ver cuáles son los términos de la garantía.

Cobertura de la garantía

Tunturi New Fitness BV o los distribuidores Tunturi no responderán en ninguna circunstancia a causa de esta garantía por los eventuales daños indirectos, secundarios, resultantes o especiales de ningún tipo derivados del uso o la imposibilidad de uso de este equipo.

Restricciones a la garantía

La garantía cubre los fallos debidos a la fabricación y los materiales en un equipo de ejercicio que esté en su ensambladura original. La garantía cubre solamente defectos que se manifiesten durante un uso normal, conforme a las instrucciones dadas en la guía suministrada con el equipo, a condición de que se hayan observado las instrucciones de montaje, mantenimiento y utilización proporcionadas por Tunturi. Tunturi New Fitness BV y los distribuidores Tunturi no pueden responder de fallos ocasionados por circunstancias ajenas a su control. La presente garantía sólo es válida para el comprador original del equipo de ejercicio y tiene vigencia solamente en los países en los que Tunturi New Fitness BV cuenta con un importador autorizado. La garantía no cubre los equipos de ejercicio o sus partes que hayan sido modificados sin el consentimiento previo de Tunturi New Fitness BV. La garantía no cubre fallos derivados del desgaste normal, de un uso indebido, de su uso en condiciones para las que el equipo no ha sido concebido, corrosión o daños sufridos durante la carga o el transporte.

La garantía no cubre los sonidos o ruidos emitidos durante el uso que no impidan de forma sustancial la utilización del equipo y que no estén provocados por un fallo del mismo

La garantía no cubre las actividades de mantenimiento tales como limpieza, lubricación o el ajuste normal de las piezas, ni los procedimientos de instalación que el cliente pueda realizar por sí mismo y que no requieran un desmontaje / montaje especial del equipo de ejercicio. Estos procedimientos son, por ejemplo, el cambio de contadores, pedales o de otras piezas simples similares. No se reembolsarán las reparaciones realizadas durante el periodo de garantía por agentes no autorizados por Tunturi. Si no se siguen adecuadamente las instrucciones dadas en el Manual del Propietario se invalidará la garantía del producto.

Limpieza y mantenimiento

⚠ ADVERTENCIA

- Antes de la limpieza y el mantenimiento, retire el enchufe de red de la toma de pared.
- No utilice disolventes para limpiar la máquina.

- No obstruya las aberturas de ventilación. Mantenga las aberturas de ventilación libres de polvo, suciedad y otras obstrucciones.
- Limpie la máquina con un paño suave y absorbente tras cada uso.
- Limpie las partes visibles de la máquina con un aspirador que tenga una boquilla de aspiración pequeña.
- Compruebe periódicamente que todos los tornillos y las tuercas estén apretados.

Cinta y cubierta de correr:

La cinta usa una base de gran eficacia y baja fricción. El rendimiento se maximiza cuando la cubierta de correr se mantiene lo más limpia posible. Use un paño suave y húmedo o una toalla de papel para limpiar el borde de la cinta y el área entre el borde de la cinta y el bastidor. Llegue también hasta prácticamente justo debajo del borde de la cinta. Deberá hacer esto una vez al mes para aumentar la vida útil de la cinta y la cubierta de correr. Use solo agua – ni productos de limpieza ni abrasivos. Una solución suave de jabón y agua con un cepillo de fregar de nailon servirá para limpiar la parte superior de la cinta con textura. Deje que la cinta se seque antes de usarla

Lubricación (fig. F-4)

Debe comprobarse la lubricación de la banda cada 2 meses, en base a un uso medio de 60 minutos al día.

⚠ ADVERTENCIA

- Antes de la lubricación, retire el enchufe de red de la toma de pared.

⚠ PRECAUCIÓN

- Recomendamos revisar la lubricación de la cinta de correr una vez al mes como mínimo, ya que hay otros factores que pueden afectar al estado de la lubricación, aparte del tiempo.
 - Lubrique la banda sólo si es necesario. Si aplica demasiado lubricante, la banda resbalará fácilmente debido a la ausencia de fricción.
- Sitúese sobre la banda.
- Sujete el manillar frontal y empuje la banda con los pies de modo que se deslice hacia atrás y hacia delante. La banda debe moverse suave y regularmente sin hacer ruido.
- Si la banda no se mueve suave y regularmente o no se mueve, toque la parte baja de la banda con las puntas de los dedos para comprobar la lubricación:
- Si nota el lubricante o sus dedos están brillantes, hay suficiente lubricación en la banda.
 - Si no nota lubricante o sus dedos tienen polvo o están ásperos, aplique lubricante (15-20 ml) en la mitad de la plataforma bajo la banda y deje que la máquina funcione a 5 km/h durante al menos 5 minutos.
 - Tras la lubricación, no pliegue la máquina antes de haber realizado una sesión de ejercicio durante 20 minutos con una velocidad de al menos 5 km/h. El lubricante se extenderá uniformemente por la banda.

Polvo de la cinta:

Esto ocurre durante una interrupción normal o hasta que la cinta se estabilice. Si limpia el exceso de polvo con un paño húmedo se minimizará la acumulación de éste.

Limpieza general:

La suciedad, el polvo y el pelo de los animales pueden bloquear las entradas de aire y acumularse en la cinta de correr. Pase la aspiradora mensualmente debajo de la cinta para evitar que se acumule. Dos veces al año deberá quitar la cubierta negra del motor y aspirar la suciedad que se haya acumulado.

DESENCHUFE EL CABLE DE ALIMENTACIÓN ANTES DE HACER ESTAS TAREAS.

Ajustes de la cinta

Ajuste de la tensión de la cinta de correr: El ajuste se deberá hacer desde el rodillo trasero. Los tornillos de ajuste se encuentran en el extremo de las barras en las tapas finales, como se indica en el siguiente dibujo.

- Apriete los tornillos del rodillo trasero (a la derecha) solo lo suficiente para que no patine la cinta en el rodillo delantero. Gire los dos tornillos de ajuste de la tensión de la cinta en pasos de ¼ de vuelta cada uno y examine si la tensión es correcta andando sobre la cinta a baja velocidad, asegurándose de que la cinta no patina. Siga tensando los tornillos hasta que la cinta deje de

patinar.

- Si le parece que la cinta está suficientemente tensa, pero sigue patinando, el problema puede ser que esté suelta una correa de transmisión del motor debajo de la cubierta delantera.
- No apriete en exceso: Si se aprieta en exceso se podrá dañar la cinta y provocar un fallo prematuro de los cojinetes.

ajuste de la alineación de la cinta de correr

El rendimiento de la cinta depende de que el bastidor esté sobre una superficie suficientemente plana. Si el bastidor no está horizontal, el rodillo delantero y trasero no podrán ir paralelos y habrá que ajustar constantemente la cinta.

La cinta de correr está diseñada para mantener la cinta razonablemente centrada cuando está en uso. Es normal que algunas cintas se desvíen hacia un lado cuando la cinta está funcionando sin nadie encima. Después de unos minutos de uso, la cinta deberá tender a centrarse por sí misma. Si durante el uso la cinta sigue moviéndose hacia un lado, habrá que ajustarla.

EXCEPCIÓN:

Durante una rehabilitación en la que el usuario esté usando una pierna mucho más que la otra, puede ocurrir que la cinta se desvíe a un lado. En esos casos, no deberá ajustarla a no ser que la cinta no se centre por sí misma durante el uso en condiciones normales.

para ajustar la alineación de la cinta (fig. F-5)

Se proporciona una llave Allen de 10 mm para ajustar el rodillo trasero. Solo haga un ajuste de la alineación desde el lado izquierdo. Ajuste la velocidad de la cinta de 3 a 5 km/h.

¡Recuerde, un pequeño ajuste puede suponer una gran diferencia!

Gire el tornillo a la derecha para mover la cinta a la derecha. Y gírelo a la izquierda para moverla a la izquierda. Gire el tornillo solo un ¼ de vuelta y espere unos momentos a que la cinta se ajuste por sí misma. Continúe girando un ¼ de vuelta hasta que la cinta se estabilice en el centro de la cubierta de correr.

La cinta puede que requiera un ajuste periódico de la alineación dependiendo del uso y de las características de andar/correr. Algunos usuarios tendrán un efecto diferente sobre la alineación. Es de esperar que tenga que hacer los ajustes necesarios para centrar la cinta. Según se vaya usando la cinta, cada vez tendrá que realizar menos ajustes. Una alineación correcta de la cinta es una responsabilidad del propietario habitual en todas las cintas de correr.

⚠ NOTA

- los daños a la cinta de correr derivados de un ajuste incorrecto de la alineación/tensión no están cubiertos por la garantía..

Defectos De Funcionamiento

Pese al continuo control de calidad que realizamos, el equipo puede presentar defectos o malfuncionamientos debidos a fallos en componentes individuales. En la mayoría de los casos no es necesario llevar todo el equipo a reparar, y generalmente es suficiente con reemplazar la parte defectuosa.

Si el equipo no funciona correctamente durante su uso, tome contacto inmediatamente con su proveedor Tunturi. Relate la naturaleza del problema, las condiciones de uso, la fecha de compra, el modelo y el número de serie.

En el reverso de esta guía encontrará la lista de piezas. Utilice sólo piezas de repuesto mencionadas en la lista de piezas de repuesto.

Códigos de error

Si la pantalla muestra un código de error (marcado con "E" + número), reinicie la máquina y compruebe si la pantalla sigue mostrando el código de error. Si la pantalla sigue mostrando el código de error, contacte inmediatamente con su proveedor.

Transporte y almacenamiento

⚠ ADVERTENCIA

- Antes de la limpieza y el mantenimiento, retire el enchufe de red de la toma de pared.
- Al menos dos personas deben transportar y mover la máquina.
- Asegúrese de que no haya otras personas ni objetos debajo de la máquina.
- Al plegar la máquina, asegúrese de que se escucha el bloqueo de la máquina en su posición para evitar que se pueda desplegar.

⚠ PRECAUCIÓN

- Antes de plegar la máquina, asegúrese de que la inclinación sea 0%. Si la inclinación no es de 0%, el mecanismo sufrirá daños durante el plegado.
- Mueva la máquina como se muestra (fig. F3). Mueva la máquina y bájela con cuidado. Coloque la máquina sobre una base protectora para evitar daños en la superficie del suelo. Mueva la máquina con cuidado sobre superficies irregulares. No suba la máquina por las escaleras usando las ruedas; transporte la máquina por los manillares.
- Almacene la máquina en posición vertical (fig. F1). Almacene la máquina en un lugar seco con la menor variación de temperatura posible.

Información adicional

Eliminación de embalajes

Las pautas gubernamentales exigen reducir la cantidad de residuos que se depositan en los basureros. Por este motivo, le rogamos que deseche los embalajes de manera responsable en centros públicos de reciclaje.

Eliminación al final de la vida útil

Desde Tunturi esperamos que disfrute de su equipo de entrenamiento durante muchos años. No obstante, llegará un momento en que éste llegue al final de su vida útil. Conforme a la Directiva WEEE (relativa a la gestión de residuos procedentes de equipos eléctricos y electrónicos) le corresponde a usted la responsabilidad de desechar adecuadamente su equipo de entrenamiento en un centro público autorizado de recogida.

Datos técnicos

Parámetro	Unidad de medición	Valor
Tensión de red	VAC	210 ~ 240
Frecuencia de red	HZ	50 ~ 60
Motor	HP	2.5 5.5 Max.
Velocidad	Km/H	0.5 ~ 16.0
Velocidad	Mph	0.3 ~ 10.0
Inclinación	Step	0 ~ 15
Longitud (plegada)	Cm	193.0 (137.0)
Longitud (plegada)	Inch	76.0 (53.9)
Anchura	Cm	82.5
Anchura	Inch	32.5
Altura (plegada)	Cm	149.0 (155.0)
Altura (plegada)	Inch	58.7 (61.0)
Peso	Kg	117.0
Peso	Lbs	257.9
Peso máx. del usuario	Kb	150
Peso máx. del usuario	Lbs	330
HR. receiver	Khz	5.3 Khz

Declaración del fabricante

Tunturi New Fitness BV declara que el producto es conforme con las siguientes normas y directivas: EN 957 (HA), 89/336/CEE. Por tanto, el producto dispone de marcado CE.

12-2019

Tunturi New Fitness BV
Purmerweg 1
1311 XE Almere
The Netherlands

Descargo de responsabilidad

© 2019 Tunturi New Fitness BV
Reservados todos los derechos.

El producto y el manual están sujetos a cambios. Las especificaciones pueden cambiarse sin previo aviso. Consulte nuestra página web para descargar la versión del manual de usuario más reciente.

På svenska

Denna handbok är en översättning av den engelska texten. Vi förbehåller oss rätten till eventuella översättningsfel. Den engelska originaltexten råder.

Index

Löpband	85
Säkerhetsvarningar	85
Elsäkerhet.....	85
Monteringsanvisningar	86
Beskrivning (fig. A)	86
Förpackningens innehåll (fig. B&C)	86
Montering (fig. D).....	86
Tillbehör (fig. H).....	86
Träning	86
Övning Instruktioner.....	86
Hjärtfrekvens	87
Användning	87
Panelen (fig. E-1)	88
Knappar.....	88
Förklaring av skärmenalternativen (bild H).....	88
ERP-funktion.....	89
Programmenyn	89
Snabbstart.....	89
Pausa/avsluta träningspasset	89
Målpuls.....	89
Handbok.....	90
Förinställda program	90
Min träning.....	90
Konditionstest	91
T-Road	91
Bluetooth-läge	91
Användare	91
Användarlogg	91
Användarinställning.....	91
Användarinställning.....	91
Ta bort användare	92
Ändra användare	92
..... Skapa ny användare.....	92
Garanti	92
Rengöring och underhåll	93
Smörjning (fig. F-4).....	93
Störningar Vid Användning	94
Felkoder	94
Transport och lagring	94
Ytterligare information	94
Teknisk information	94
Försäkran från tillverkaren	94
Friskrivning	94

Löpband

Välkommen till Tunturi Fitness värld!

Tack för att du köpte denna utrustning från Tunturi. Tunturi erbjuder ett stort utbud av professionell träningsutrustning, exempelvis crosstrainers, löpband, träningscyklar och roddmaskiner. Utrustning från Tunturi passar hela familjen, oavsett träningsnivå. Mer information finns på vår webbplats, www.tunturi.com

Viktiga instruktioner om säkerhet

Läs nog igenom denna handbok innan du monterar, använder eller reparerar ditt nya träningsredskap. Spara denna handbok; den innehåller information som du behöver nu och i framtiden för att använda och underhålla ditt redskap. Följ alltid dessa instruktioner noggrant.

Säkerhetsvarningar

⚠ VARNING

- Läs säkerhetsvarningarna och instruktionerna. Om inte säkerhetsvarningarna och instruktionerna följs kan det medföra skador på personer eller utrustningen. Behåll säkerhetsvarningarna och instruktionerna för framtida bruk.

⚠ VARNING

- System för övervakning av hjärtfrekvensen är inte alltid exakta. Överträning kan medföra allvarlig skada eller död. Sluta omedelbart att träna om du känner dig svag.

- Utrustningen är lämplig för hemmet och för professionellt bruk (t.ex. sjukhus, brandstationer, hotell, skolor etc.). Maximal användning är begränsad till 6 timmar per dag. Utrustningen är inte anpassad för fullständig kommersiell användning (t.ex. stora gym).
- Om utrustningen används av barn eller personer med fysiska, sensoriska, mentala eller motoriska handikapp, eller som saknar erfarenhet och kunskap, kan detta medföra risker. Personer som är ansvariga för deras säkerhet måste ge tydliga instruktioner, eller övervaka användningen av utrustningen.
- Innan du påbörjar din träning, uppsök en läkare som kan kontrollera din hälsa.
- Om du upplever illamående, yrsel eller andra onormala symptom, avsluta genast din träning och kontakta en läkare.
- Börja varje träningspass med att värma upp och avsluta varje träningspass med nedvarning för att undvika muskelsmärter och sträckningar. Kom ihåg att stretcha i slutet av träningen.
- Utrustningen är endast anpassad för användning inomhus. Utrustningen är inte anpassad för användning utomhus.
- Använd endast utrustningen i miljöer med god ventilation. Använd inte utrustningen i dragiga miljöer för att undvika att bli förkyld.
- Använd endast utrustningen i miljöer med temperatur mellan 10 °C och 35 °C. Förvara endast utrustningen i miljöer med temperatur mellan 5 °C och 45 °C.
- Använd inte och förvara inte utrustningen i fuktig miljö. Luftfuktigheten får aldrig överstiga 80%.
- Använd endast utrustningen för dess avsedda ändamål. Använd inte utrustningen för andra ändamål än de som beskrivs i handboken.
- Använd inte den här utrustningen om någon del är trasig eller skadad. Om någon del är trasig eller skadad, kontakta din återförsäljare.
- Håll undan händer, fötter och andra kroppsdelar från de rörliga delarna.
- Håll undan håret från de rörliga delarna.
- Bär passande kläder och skor.
- Håll undan kläder, smycken och andra föremål från de rörliga delarna.
- Låt bara en person åt gången använda utrustningen. Utrustningen får inte användas av personer som väger mer än 150 kg (330 lbs).
- Öppna inte utrustningen utan att kontakta din återförsäljare.

Elsäkerhet

(endast elektrisk utrustning)

- Före användning, kontrollera alltid att nätspänningen är densamma som spänningen på utrustningens märkplåt.
- Använd inte en förlängningskabel.
- Håll strömkabeln borta från värme, olja och vassa kanter.
- Ändra inte strömkabeln eller kontakten.
- Använd inte utrustningen om strömkabeln eller kontakten är trasig eller skadad. Om strömkabeln eller kontakten är trasig eller skadad, kontakta din återförsäljare.
- Rulla alltid ut strömkabeln helt.
- Dra inte strömkabeln under utrustningen. Dra inte strömkabeln under en matta. Placera inte några föremål på strömkabeln.
- Kontrollera att strömkabeln inte hänger över en bordskant. Kontrollera att strömkabeln inte kan kommas åt avsiktligt eller snubblas över.

- Lämna inte utrustningen obevakad med kontakten instoppad i vägguttaget.
- Dra inte i strömkabeln för att avlägsna kontakten från vägguttaget.
- Avlägsna stickkontakten från vägguttaget när utrustningen inte används, innan den monteras eller monteras isär och innan den rengörs eller underhålls.

⚠ VARNING

- Om strömspänningen fluktuerar med 10 procent (10%) eller mer, kan detta ha en negativ inverkan på löparbandets funktion. Om löparbandet används under sådana förhållanden upphör garantin att gälla. Om du misstänker att spänningen är för lång, kontakta din elleverantör eller en behörig elektriker för att utföra en kontroll.

⚠ VARNING

- Använd INTE en uttag med jordfelsbrytare för detta löparband. Som med alla apparater med en kraftig motor slår en jordfelsbrytare att slå till ofta. Lägga sladden för strömanslutningen så att den inte kankomma i kontakt med löparbandets rörliga delar inklusive liftmekanismen och transporthjulen.

Jordningsföreskrifter

Den här produkten ska kopplas till ett jordat uttag. Om ett fel skulle uppstå i löparbandets elsystem skyddar jordningen mot elektrisk chock. Den här produkten levereras med en jordad sladd och stickpropp. Stickproppen ska anslutas till ett enligt korrekt jordat uttag som installerats enligt gällande regler och föreskrifter.

⚠ VARNING

- Fel i apparatens jordanslutningen innebär en ökad risk för elektrisk chock. Om du är osäker på anslutningen bör du kontakta en elektriker eller servicemontör för att kontrollera att apparaten är ordentligt jordad. Försök inte sätta i en stickpropp som inte passar i uttaget, anlita en elektriker för installation av passande vägguttag.

Monteringsanvisningar

Beskrivning (fig. A)

Ditt löpband är en stationär träningsmaskin som används för att simulera promenad eller löpning utan att orsaka kraftigt tryck på lederna.

Förpackningens innehåll (fig. B&C)

- Förpackningen innehåller delarna som visas i fig. B.
- Förpackningen innehåller de fästdon som visas i fig. C. Se avsnittet "Beskrivning".

🔧 ANMÄRKNING

- Om någon del saknas, kontakta din återförsäljare.

Montering (fig. D)

⚠ VARNING

- Montera utrustningen i angiven ordning.
- Var två om att bära och förflytta utrustningen.

⚠ OBS.

- Placera utrustningen på en stabil och jämn yta.
 - Placera utrustningen på en skyddande grund för att förhindra att golvet skadas.
 - Lämna åtminstone 100 cm fritt runt utrustningen.
- Illustrationerna visar det korrekta sättet att montera utrustningen.

Tillbehör (fig. H)

🔧 OBS

- Den visade illustrationen visar hur tränaren kommer att se ut med lämpliga utvidgade räcken.
- De extra förlängda ledstängerna kan köpas som tillbehör.
- Article nr: 19TRNRH000

Kontakta din återförsäljare för mer information.

Träning

Träningen måste vara lagom lätt, men hålla på länge. Aerobisk träning är till för att förbättra kroppens maximala syreupptag, vilket förbättrar uthålligheten och konditionen. Du ska svettas, men du ska inte bli andfådd under träningen. För att uppnå och behålla en grundkondition, träna åtminstone tre gånger i veckan, 30 minuter åt gången. Öka antalet träningspass för att förbättra din kondition. Det är bra att kombinera regelbunden träning med hälsosam kost. En person som har bestämt sig för att banta bör träna dagligen, 30 minuter eller mindre till en början och sedan öka den dagliga tränings tiden till en timme. Börja din träning i låg hastighet och med lågt motstånd för att förhindra att hjärtkärlets utsätts för kraftig belastning. När konditionen förbättras, kan hastigheten och motståndet ökas gradvis. Din tränings effektivitet kan mätas genom att kontrollera din hjärtfrekvens och din puls.

Övning Instruktioner

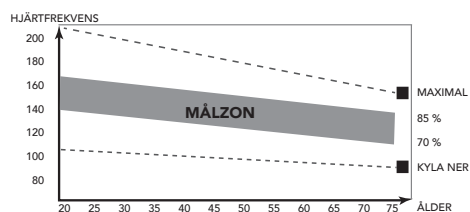
Användningen av ditt träningsredskap kommer att ge dig många fördelar; det kommer att förbättra din fysiska kondition, tona musklerna och tillsammans med en kalorikontrollerad diet hjälpa dig att gå ned i vikt.

Uppvärmningsfasen

Denna fas får blodet att börja pumpa runt i kroppen och förbereder musklerna på aktivitet. Den minskar även risken för kramp och muskelskada. Det är tillrådligt att göra några stretchövningar som visas nedan. Varje stretchövning ska hållas i ungefär 30 sekunder. Tvinga eller tryck inte in musklerna i en stretchövning. Om det gör ont, SLUTA

Träningsfasen

Detta är fasen där du jobbar. Efter regelbunden användning, kommer musklerna i dina ben att bli mer flexibla. I denna fas är det mycket viktigt att bibehålla ett jämnt tempo från början till slut. Ansträngningsnivån ska vara tillräcklig för att höja din puls till målzonen som visas i nedanstående figur



Denna fas bör pågå i minst 12 minuter, även om de flesta börjar med ungefär 15-20 minuter.

Nedvarningsfasen

Under denna fas får ditt kardiovaskulära system och dina muskler varva ned.

Den är en upprepning av uppvärmningsövningen, t.ex. minska ditt tempo, fortsätt i ca 5 minuter. Stretchövningarna ska nu upprepas. Kom ihåg att inte tvinga eller trycka in musklerna i stretchövningen. När du blir mer vältränad, kan du träna längre och hårdare. Vi rekommenderar att träna minst tre gånger i veckan, och, om möjligt, fördela dina träningsstillfällen jämnt under hela veckan.

Muskeltoning

För att tona musklerna när du använder träningsredskapet, måste du ställa in en ganska hög belastning. Detta belastar benmusklerna mer och kan innebära att du inte kan träna så länge som du vill. Om du även försöker förbättra din kondition, måste du ändra ditt träningsprogram. Du bör träna som vanligt under uppvärmnings- och nedvarvningsfaserna, men mot slutet av träningsfasen kan du öka belastningen så att dina ben får jobba hårdare. Du måste minska hastigheten för att hålla pulsen i målzonen.

Viktminskning

Den viktigaste faktorn här är hur mycket du anstränger dig. Ju hårdare och längre du tränar, desto fler kalorier bränner du. Detta är i princip detsamma som om du tränade för att förbättra din kondition, skillnaden är målet.

Hjärtfrekvens

Pulsmätning (handpulssensorer)

Pulsen mäts av sensorer i handtagen när användaren vidrör båda sensorerna samtidigt. Bäst pulsmätning fås när skinnet är en aning fuktigt och i ständig kontakt med handpulssensorerna. Om skinnet är för torrt eller för fuktigt kan pulsmätningen bli mindre exakt.

⚠ ANMÄRKNING

- Använd inte handpulssensorer tillsammans med ett pulsbalte.
- Om du har ställt in en begränsning av hjärtfrekvensen för din träning, kommer ett larm att ljuda när den överskrids.

Hjärtfrekvensmätning (pulsbalte)

⚠ ANMÄRKNING

- Ett bröstband är inte standard med denna tränare. När du gillar att använda ett trådlöst bröstband måste du köpa detta som tillbehör.

Den mest exakta mätningen av hjärtfrekvensen uppnås med ett pulsbalte. Hjärtfrekvensen mäts av en hjärtfrekvensmottagare i kombination med ett pulsbalte med sändare. Korrekt pulsmätning kräver att elektroderna på sändarbältet är en aning fuktiga och i ständig kontakt med skinnet. Om elektroderna är för torra eller för fuktiga kan pulsmätningen bli mindre exakt.

⚠ VARNING

- Kontakta en läkare innan du använder ett pulsbalte om du har pacemaker.

⚠ OBS.

- Om det finns flera enheter för hjärtfrekvensmätning bredvid varandra, kontrollera att avståndet mellan dem är minst 2 meter.
- Om det bara finns en hjärtfrekvensmottagare och flera hjärtfrekvenssändare, kontrollera att bara en person med sändare är inom mottagningsområdet.

⚠ ANMÄRKNING

- Använd inte ett pulsbalte tillsammans med handpulssensorer.
- Bär alltid pulsbaltet under dina kläder, i direktkontakt med huden. Bär inte pulsbaltet utanpå kläderna. Om du bär pulsbaltet utanpå kläderna kommer det inte att bli någon signal.
- Om du har ställt in en begränsning av hjärtfrekvensen för din träning, kommer ett larm att ljuda när den överskrids.
- Sändaren sänder hjärtfrekvensen till panelen upp till ett avstånd på 1,5 meter. Om elektroderna inte är fuktiga, kommer inte hjärtfrekvensen att visas på displayen.
- Vissa klädfibrer (t.ex. polyester eller polyamid) skapar statisk elektricitet som kan förhindra en korrekt mätning av hjärtfrekvensen.
- Mobiltelefoner, tv-apparater och andra elektriska apparater skapar ett elektromagnetiskt fält som kan förhindra en korrekt mätning av hjärtfrekvensen.

Hjärtfrekvensmätning Maximal hjärtfrekvens (under träning)

Den maximala hjärtfrekvensen är den högsta hjärtfrekvens en person säkert kan få vid träning. Följande formel används för att beräkna den genomsnittliga maximala hjärtfrekvensen: $220 - \text{ÅLDER}$. Den maximala hjärtfrekvensen varierar från person till person.

⚠ VARNING

- Kontrollera att du inte överskrider din maximala hjärtfrekvensen under din träning. Kontakta en läkare om du tillhör en riskgrupp.

Nybörjarnivå 50-60% av den maximala hjärtfrekvensen

Passar nybörjare, viktväktare, konvalescenter och personer som inte har tränat på länge. Träna åtminstone tre gånger i veckan, 30 minuter åt gången.

Avanceradnivå 60-70% av den maximala hjärtfrekvensen

Passar personer som vill förbättra och underhålla konditionen. Träna åtminstone tre gånger i veckan, 30 minuter åt gången.

Expert 70-80% av den maximala hjärtfrekvensen

Passar de mest vältränade, som är vana vid långa och tunga träningspass.

Användning

Huvudströmbrytare (fig. E-2A)

Utrustningen är utrustad med en huvudströmbrytare för att helt stänga av utrustningen.

Starta utrustningen:

- Anslut stickkontakten till utrustningen.
- Anslut stickkontakten till vägguttaget.
- Sätt huvudströmbrytaren i läge "på" (ON).

The console application will start loading in the following order:

Stage 1: "Tunturi" logo is display for a few seconds.

Stage 2: "Loading..." is blinking in display.

Stage 3: 3 Acoustic beeps will be heard.

The main menu will open in where "Quick start" is selected as default. Trainer is now ready for use.

Stoppa utrustningen:

- Sätt huvudströmbrytaren i läge "av" (OFF).
- Avlägsna stickkontakten från vägguttaget.
- Avlägsna stickkontakten från utrustningen.

⚠ NOTE

- Avoid switching off the equipment when there is a data saving activity, to avoid data to be lost.

Säkerhetsnyckel (fig. F-4)

Utrustningen är utrustad med en säkerhetsnyckel som måste vara korrekt införd i panelen för att starta utrustningen. Om du avlägsnar säkerhetsnyckeln ur panelen, stoppas utrustningen omedelbart.

- Stoppa in säkerhetsnyckeln i öppningen i panelen.
- Kontrollera att säkerhetsnyckeln sitter fast ordentligt i dina kläder. Kontrollera att säkerhetsnyckeln inte avlägsnas från dina kläder innan säkerhetsnyckeln avlägsnas ur panelen.

⚠ ANMÄRKNING

- Konsolen visar "Vänligen tillbaka säkerhet key"-kod när säkerhetsnyckeln inte är på plats under start.

Brytare (fig. F-2B)

Utrustningen är utrustad med en brytare som bryter strömmen när den elektriska belastningen överstiger den maximala kapaciteten. När detta inträffar måste brytaren tryckas in.

⚠ VARNING

- Innan du trycker på brytaren, avlägsna stickkontakten från utrustningen.

Om utrustningen stängs av, gör följande för att starta om utrustningen:

- Avlägsna stickkontakten från utrustningen.
- Tryck på brytaren för att starta om utrustningen.
- Anslut stickkontakten till utrustningen.

🔧 ANMÄRKNING

- Vissa kretsbrytare som används i hushåll är inte lämpade för höga spänningstoppar, vilka kan förekomma när man slår på löparbandet och även vid normal användning. Om löparbandet gör att säkringen går hemma hos dig (trots att rätt spänning används och löparbandet är den enda apparaten i gruppen) och löparbandets säkring inte bryter, måste du byta ut säkringen till en typ som klarar större spänningstoppar. Detta är inte en defekt som täcks av garantin. Detta är ett förhållande som tillverkaren inte kan råda över.

Fälla upp och fälla ihop utrustningen (fig. F1-F2)

Utrustningen kan fällas upp för användning (fig. F1) och fällas ihop för transport och lagring (fig. F2). Bilderna visar det korrekta sättet att fälla upp och fälla ihop utrustningen.

⚠ VARNING

- Se till att löpbandets lutning (Incline) är satt till 0 innan viking av däck sker. Om lutningen inte är satt till 1 kan detta skada mekanismen.

Justera stödfötterna

Utrustningen är utrustad med 6 stödfötter. Om utrustningen inte är stabil, kan stödfötterna justeras..

- Vrid stödfötterna för att placera utrustningen i en stabil position.
- Vrid åt låsmutterarna för att låsa stödfötterna.

🔧 ANMÄRKNING

- Maskinen är i maximalt stabilt läge när alla stödfötter vrids helt inåt. Örja därför att placera maskinen helt plant genom att vrida alla stödfötter helt inåt, innan du vrider ut de nödvändiga stödfötterna för att stabilisera maskinen.

Panelen (fig. E-1)**⚠ OBS**

- Skydda panelen från direkt solljus.
- Torka av panelens yta när den är täckt av svett droppar.
- Luta dig inte mot panelen.
- Vidrör endast displayen med din fingertopp. Var noga med att inte dina naglar eller vassa föremål vidrör displayen.

🔧 ANMÄRKNING

- Panelen övergår till viloläge när utrustningen inte har använts på 4 minuter.

Knappar**Enter/ Start**

- Bekräfta Sportläge
- Bekräfta inställning i läget Användare/Inställning
- Bekräfta träningsval på inställningsskärmen
- Bekräfta inställt värde.
- Huvudskärm växla mellan bpm/Lutningsprofil
- Huvudskärm växla mellan Video/Profil med T-Road

Back/ Stop (BackBakåt/ Stopp)

- Gå till föregående skärm
- Stoppa aktiv träning

(Användare/+ (öka)

- Öppna användarinställning.
- Öka intensitet i träningsläge.
Tryck en gång för att öka med 1 %
Håll intryckt för att öka intensitet snabbare.

🔧 OBS

- Det är inte möjligt att modifiera profilen, den högsta förprogrammerade intensiteten är gränsvärdet för ökningen.

Välj/- (minska)

- Växla LED-bildskärm.
- Minska intensitet i träningsläge.
Tryck en gång för att minska med 1 %
Håll intryckt för att minska intensitet snabbare.

🔧 OBS

- Det är inte möjligt att modifiera profilen, den lägsta förprogrammerade intensiteten är gränsvärdet för minskningen.

Hastighet +

- Ökar hastigheten (0,5 ~ 16,0 km/h).
- Tryck en gång för att öka hastigheten med 0,1 km/h.
- Håll intryckt i två sekunder för att öka hastigheten snabbare.
- Bläddra i programmen och ändra värden i programmeringsläget.

Hastighet -

- Minskar hastigheten (0,5 ~ 16,0 km/h).
- Tryck en gång för att minska hastigheten med 0,1 km/h.
- Håll intryckt i två sekunder för att minska hastigheten snabbare.
- Bläddra i programmen och ändra värden i programmeringsläget.

Snabbval för hastighet:

Snabbknappar för hastighet är inställda på: 6, 9, 12. (Metrisk 3,7/ 5,6/ 7,5)

Om du till exempel trycker på snabbknapp 9, ändras hastigheten till 9 km/h oavsätt innevarande inställning.

Hastighetsknappar på styret

- + : Samma som hastighet +.
- - : Samma som hastighet -.

Lutning +

- Ökar lutningsgraden med (0 ~ 15 +1).
- Bläddra i programmen och ändra värden i programmeringsläget.

Lutning -

- Minskar lutningsgraden med (0 ~ 15 -1).
- Bläddra i programmen och ändra värden i programmeringsläget.

Snabbval för lutning:

Snabbknapparna för lutning är inställda på 0, 5, 10.

Om du till exempel trycker på snabbknapp 5 så ändras lutningen till 5 oavsätt innevarande inställning.

Snabbval på styret för lutning:

- + : Samma som lutning +.
- - : Samma som lutning -.

Förklaring av skärmalternativen (bild H)**Hastighet**

- Visar löpbandets faktiska hastighet i träningsläge.

Lutning

- Visar löpbandets faktiska lutning i träningsläge.

Avstånd

- Visar löpsträcka i träningsläget.
- Visar kvarvarande sträcka vid träning i nedräkningsläget.

Tid

- Visar löptid i träningsläget.
- Visar kvarvarande tid vid träning i nedräkningsläget.

Steg

- Visar antal steg som du har gjort gått/sprungit under ditt träningspass.

Hjärta

- Visar pulsen i träningsläget eller "P" när ingen puls uppmäts.

Kalorier/Energi

- Visar förbrukade kalorier i träningsläget.
- Visar återstående kalorier vid träning i nedräkningsläget.

OBS

- Dessa uppgifter är en ungefärlig uppskattning för jämförelse av olika träningspass och kan inte användas vid medicinsk behandling.

OBS

- Skärm för Tid/Steg, Hjärta/Lutning och Kalorier/Sträcka skannar var 5:e sekund.

Allmän profilskärm

- Den nedersta raden från vänster till höger anger tiden i minuter mellan 0~30. Den uppdateras en gång var 15 minut under träningen
- Vänster sidofält från topp till botten visar lutning eller bpm-värde under träningen tryck på "Enter/Start" för att växla mellan Lutning/ bpm. Lutning visas i blått/bpm visas i rött)
- Höger sidofält från topp till botten visar hastighetsvärdet.
- Den vita prickade linjen visar aktuell position, och rör sig åt höger allt eftersom träningstiden ökar. Tränings-skärmen kan visa data för max. 5 timmar
- Den orange kurvan visar användarens faktiska hjärt puls, vilken varierar allt eftersom hjärtfrekvensen går upp och ner.

ERP-funktion

USB-porten kan endast användas i servicesyfte, till exempel för programuppdatering via en USB-enhet.

OBS

- Om din träningsapparat fungerar bra och det inte finns någon anledning att tvivla på programfunktionerna rekommenderas att endast ändra programvaran när nya funktioner finns tillgängliga.
- Innan du uppdaterar programvaran, kontakta först ditt servicecenter för att få den rätta och senaste programuppdateringsfilen.

Programmenyn**Snabbstart**

- Använd knapparna för "Hastighet & Lutning + / -" för att navigera i huvudmenyn och välj "Snabbstart".
- Tryck på "Enter/Start" för att bekräfta och starta 3 sekunders nedräkning för aktivering av snabbstartläget.
- Löpbandet startar i lägsta hastighet när inga ytterligare inställningar görs.

I träningsläget

- Använd knapparna för "Hastighetskontroll" för att anpassa hastigheten när det passar dig.
- Använd knapparna för "Lutningskontroll" för att anpassa lutningsgraden när det passar dig.

Pausa/avsluta träningspasset

Tryck på "Bakåt/Stop" när som helst för att avsluta det aktiva träningspasset. Löpbandet stannar i pausläge och skärmen visar tre alternativ. Använd knapparna för "Hastighet & Lutning + / -" för att välja ett av alternativen.

Fortsätt:

Välj "Fortsätt" för att återgå till träningspasset, skärmen startar en 3 sekunders nedräkning innan det pausade träningspasset återupptas.

Avsluta:

Välj "Avsluta" för att avbryta träningen, skärmen visar då uppgifter för "Senaste träningspass", som är en sammanfattning av din träning.

Spara&Avsluta

Välj "Spara&Avsluta" för att spara filen i "Min träning"

- Läget för filnamn i en popup-bubbla under "Spara&Avsluta"-knappen.
- Tryck på "Enter/Start" för att öppna textredigeringsläget med ett "A"
- Ändra det med knapparna för "Hastighet & Lutning + / -" och bekräfta tecknet med "Enter/Start", och välj nästa tecken.
- Skriv färdigt filnamnet genom att upprepa den här proceduren.
- När du skrivit färdigt filnamnet väljer du "V" och skärmen visar då uppgifter för "Senaste träningspass", som är en sammanfattning av din träning.

OBS

- För att spara träningsdata krävs minst 10 minuters eller tre km träningsprofildata.
- Det är inte möjligt att lagra träningsdata i lägena Konditionstest eller T-Road.

Målpuls

- Använd knapparna för "Hastighet & Lutning + / -" för att navigera i huvudmenyn och välj "Målpuls".
- Tryck på "Enter/Start" för att bekräfta och gå till inställningsskärmen.

Skärm för programmering av målpuls

Skärmen visar "målpulsområde 80 - 220 bpm"

- Använd knapparna för "Hastighet & Lutning + / -" för att välja önskad målpuls och bekräfta med "Enter/Start".
- Vid ändring av parametern uppdaterar max puls-procenten automatiskt max-puls-procentalet för den valda användarinställningen, baserat på ålder.

Skärm för programmering av träningslängd

- Använd knapparna för "Hastighet & Lutning + / -" för att välja ett av träningsmålen Energi, Tid eller Avstånd och bekräfta med "Enter/Start".
 - Använd knapparna för "Hastighet & Lutning + / -" för att välja önskad träningslängd och bekräfta med "Enter/Start".
- | | | | |
|----------|------------------|--------------|-------|
| Energi: | Område 50 ~ 2000 | Standard 200 | ± 50. |
| Tid: | Område 10 ~ 180 | Standard 200 | ± 30. |
| Avstånd: | Område 3 ~ 100 | Standard 10 | ± 1. |
- Tryck på "Enter/Start" för att bekräfta och starta 3 sekunders nedräkning för aktivering av "målpuls"-läget.

"Målpuls"-programmet styrs av den faktiska hjärt pulsen.

Träningsintensiteten justeras automatiskt baserat på användarens hjärtfrekvens och det förinställda pulsmålet.

När användarens puls är under målpulsen ökas intensiteten.

När användarens puls är över målpulsen minskar intensiteten.

I träningsläget

- Använd knapparna för "Hastighetskontroll" för att anpassa hastigheten när det passar dig.
- Använd knapparna för "Lutningskontroll" för att anpassa lutningsgraden när det passar dig.

OBS

- Vid manuell inställning av intensitet kommer konsolen att fortsätta fungera baserat på pulsmålinställningarna.
- Meddelandet "Ingen puls" visas om användarens hjärtfrekvens inte kan mätas under träningen.

För att Pausa/avsluta träningspasset, se inledningen till den här handboken.

Handbok

- Använd knapparna för "Hastighet & Lutning + / -" för att navigera i huvudmenyn och välj "Handbok".
- Tryck på "Enter/Start" för att bekräfta och gå till inställningsskärmen.

Skärm för programmering av träningslängd

- Använd knapparna för "Hastighet & Lutning + / -" för att välja ett av träningsmålen Energi, Tid eller Avstånd och bekräfta med "Enter/Start".
- Använd knapparna för "Hastighet & Lutning + / -" för att välja önskad träningstid och bekräfta med "Enter/Start".
Energi: Område 50 ~ 2000 Standard 200 ± 50.
Tid: Område 10 ~ 180 Standard 200 ± 30.
Avstånd: Område 3 ~ 100 Standard 10 ± 1.
- Tryck på "Enter/Start" för att bekräfta och starta 3 sekunders nedräkning för aktivering av "Handbok"-läget.

Med alla förinställda profilprogram regleras intensiteten automatiskt.

I träningsläget

- Använd knapparna för "Hastighetskontroll" för att anpassa hastigheten när det passar dig.
- Använd knapparna för "Lutningskontroll" för att anpassa lutningsgraden när det passar dig.

För att Pausa/avsluta träningspasset, se inledningen till den här handboken.

Förinställda program

Använd knapparna för "Hastighet & Lutning + / -" för att navigera i huvudmenyn och välj "Förinställda program".

- Tryck på "Enter/Start" för att bekräfta och gå till programvalsskärmen.
- Använd knapparna för "Hastighet & Lutning + / -" för att välja ett "Förinställt program"
5 profiler är hastighetsstyrda
Grafisk profilförhandsvisning i grönt.
5 profiler är lutningsstyrda
Grafisk profilförhandsvisning i blått.
Tryck på "Enter/Start" för att bekräfta och gå till inställningsskärmen.

Skärm för programmering av träningslängd

- Använd knapparna för "Hastighet & Lutning + / -" för att välja ett av träningsmålen Energi, Tid eller Avstånd och bekräfta med "Enter/Start".
- Använd knapparna för "Hastighet & Lutning + / -" för att välja önskad träningstid och bekräfta med "Enter/Start".
Energi: Område 50 ~ 2000 Standard 200 ± 50.
Tid: Område 10 ~ 180 Standard 200 ± 30.
Avstånd: Område 3 ~ 100 Standard 10 ± 1.
- Tryck på "Enter/Start" för att bekräfta och starta 3 sekunders nedräkning för aktivering av den förinställda programprofilen.

I träningsläget

- Använd knapparna för "Hastighetskontroll" för att anpassa hastigheten när det passar dig.
- Använd knapparna för "Lutningskontroll" för att anpassa lutningsgraden när det passar dig.
- Använd knapparna "Användare/ + (öka)/ Välj/ - (minska)" för att öka programprofilen i sin helhet.

OBS

- Vid manuell justering av hastigheten med "Hastighetskontroll"-knapparna i en hastighetsstyrd profil, kommer löpbandet endast använda ändringen för det aktiva avsnittet i profilen.
- Vid manuell justering av hastigheten med "Lutningskontroll"-knapparna i en lutningsstyrd profil, kommer löpbandet endast använda ändringen för det aktiva avsnittet i profilen.
- Maximalt/minimalt öknings/minskningsalternativ står i relation till högsta/lägsta profilinställningar eftersom öknings/minskning inte kan styra profilen.

För att Pausa/avsluta träningspasset, se inledningen till den här handboken.

Min träning

Använd knapparna för "Hastighet & Lutning + / -" för att navigera i huvudmenyn och välj "Min träning".

- Tryck på "Enter/Start" för att bekräfta och gå till programvalsskärmen.

OBS

- "Inga sparade träningspass hittades" visas när inga träningspass har sparats.

- Använd knapparna för "Hastighet & Lutning + / -" för att välja lagrade uppgifter under "Min träning" och
De tillgängliga hastighetsstyrda profilerna känns igen när: Grafisk profilförhandsvisning visas i blått.
De tillgängliga hastighetsstyrda profilerna känns igen när: Grafisk profilförhandsvisning visas i blått.
Tryck på "Enter/Start" för att bekräfta och gå till inställningsskärmen.

Använd knapparna för "Hastighet & Lutning + / -" för att välja: "Upprepa", "Redigera" eller "Ta bort".

"Upprepa"

- Välj "Upprepa": Tryck på "Enter/Start" för att bekräfta och starta 3 sekunders nedräkning för aktivering av den valda profilen som program.

"Redigera"

- Använd knapparna för "Hastighet & Lutning + / -" för att välja önskad träningstid och bekräfta med "Enter/Start".
Tid: Område 10 ~ 180 Standard 200 ± 30.
- Tryck på "Enter/Start" för att bekräfta och starta 3 sekunders nedräkning för aktivering av den förinställda programprofilen.

"Ta bort"

- Tryck på "Enter/Start" för att bekräfta och vald "Egen profil" tas bort utan extra varning.

I träningsläget

- Använd knapparna för "Hastighetskontroll" för att anpassa hastigheten när det passar dig.
- Använd knapparna för "Lutningskontroll" för att anpassa lutningsgraden när det passar dig.
- Använd knapparna "Användare/ + (öka)/ Välj/ - (minska)" för att öka programprofilen i sin helhet.

OBS

- Vid manuell justering av hastigheten med "Hastighetskontroll"-knapparna i en hastighetsstyrd profil, kommer löpbandet endast använda ändringen för det aktiva avsnittet i profilen.
- Vid manuell justering av hastigheten med "Lutningskontroll"-knapparna i en lutningsstyrd profil, kommer löpbandet endast använda ändringen för det aktiva avsnittet i profilen.
- Maximalt/minimalt öknings/minskningsalternativ står i relation till högsta/lägsta profilinställningar eftersom öknings/minskning inte kan styra profilen.

För att Pausa/avsluta träningspasset, se inledningen till den här handboken.

Konditionstest

Använd knapparna för "Hastighet & Lutning + / -" för att navigera i huvudmenyn och välj "Konditionstest".

- Tryck på "Enter/Start" för att bekräfta och gå till programvalsskärmen.

OBS

- För att starta ett konditionstest krävs ett användarval. Om ingen användare väljs visas ett meddelande.
- Resultatet av konditionstestet lagras i filen "Användarlogg".

- Tryck på "Enter/Start" för att bekräfta och starta 3 sekunders nedräkning för aktivering av "Konditionstest"-läget.

I träningsläget

- För att genomföra konditionstestet bör du springa i 12 minuter.
- Under dessa 12 minuter kan du använda "Hastighetskontroll"-knapparna för att justera hastigheten efter vad du orkar, ju längre du springer, desto bättre blir din poäng.
- Detektering av hjärtpulss krävs för att beräkna konditionstestresultatet.

Avsluta konditionstestet

- Testet avslutas automatiskt efter 12 minuter och skärmen visar då uppgifter för "Senaste träningspass", som är en sammanfattning av din träning.
- Resultatet av det specifika konditionstestet lagras i filen "Användarlogg".

OBS

- Om testet avbryts före sluttiden på 12 minuter ger testet inget resultat.
- Skärmen visar ett meddelande om ingen pulssignal går fram.

T-Road

Använd knapparna för "Hastighet & Lutning + / -" för att navigera i huvudmenyn och välj "T-Road".

- Tryck på "Enter/Start" för att bekräfta och gå till programvalsskärmen.
- Använd knapparna för "Hastighet & Lutning + / -" för att välja en av de tre tillgängliga T-Road-profilerna.
- Tryck på "Enter/Start" för att bekräfta och starta 3 sekunders nedräkning för aktivering av T-Road"-profilen.

I träningsläget

- För T-roadprofiler fastställs träningstiden baserat på avståndet i den valda profilen.
- Lutningsinställningsbeteende är baserat på den valda profilen, så att justera lutningsinställningen är möjligt, men kommer nästan direkt att korrigeras automatiskt.
- Använd knapparna för "Hastighetskontroll" för att anpassa hastigheten när det passar dig.
- Använd "Enter/Start"-knappen för att växla mellan film- och profilvisning.
Filmvisning: Visar ditt löpspår där filmhastigheten är relaterad till löphastigheten och omgivningens lutning är relaterad till löpbandets lutningsinställning.
Profilvisning: Visar den faktiska profilens parametrar.

För att Pausa/avsluta träningspasset, se inledningen till den här handboken.

Bluetooth-läge

OBS

- Den här konsolen kan anslutas till en app på en smart enhet med Bluetooth (iOS & Android).
- Upprätta endast Bluetooth-anslutning via anslutningsläget på den installerade Appen på din smarta enhet.

Använd knapparna för "Hastighet & Lutning + / -" för att navigera i huvudmenyn och välj "Bluetooth-läge".

- Tryck på "Enter/Start" för att bekräfta och gå till programvalsskärmen och aktivera BT-modulläget. BT-adressen visas.
- Tryck på "Start/Stop"-knappen för att lämna BT-anslutningsläget och stäng av BT-modul igen om enheterna inte parkopplas.

OBS

- Tunturi ger endast möjlighet att ansluta ditt löpband via en Bluetooth-anslutning. Därför kan Tunturi inte hållas ansvarig för skada eller felfungerande produkter andra än Tunturi-produkter.
- Kolla webbplatsen för extra information. www.Tunturi.com

Användare

Tryck på "Användare/+ öka)" för att gå till användarmenyn.

- Använd knapparna för "Hastighet & Lutning + / -" för att välja en av de sex tillgängliga underordnade användarmenyerna.
- Tryck på "Enter/Start" för att bekräfta och gå till vald undermeny.

Användarlogg

Användarloggen öppnas och visar information om "Senaste träningspass".

- Tryck på "Enter/Start" till summan av dina personliga användardata.
- Tryck på "Enter/Start" för att lämna "Användarlogg"-menyn.

Användarinställning

I "Användarinställning"-menyn kan du ange personliga inställningar och se en del viktiga data. :

- Justera "Kontrast": Ljusstyrka (Standard = 50 %)
- Visa "Totalt avstånd": Det totala avståndet för apparaten.
- Visa "Total tid": Den totala tiden för apparaten.
- Visa "Aktuell version": Den nuvarande installerade programvaran.
- Justera "Programvaruuppdatering": Programvaruuppdateringsläge. Ja: Kan uppdatera programvara via USB. Nej: Kan inte uppdatera programvara via USB.
- Ställ in "Språk": Språkinställningen illustreras med en flagga.
- Justera "Volymkontroll": Knappljud. på (ja) eller av (nej). Vissa ljudaviseringar kan inte stängas av.

Ändra inställning

- Använd knapparna för "Hastighet & Lutning + / -" för att välja en av de tillgängliga menyparametrarna.
- Tryck på "Enter/Start" för att bekräfta och gå till redigeringskärmen.
- Använd knapparna för "Hastighet & Lutning + / -" för att välja parametern.
- Tryck på "Enter/Start" för att bekräfta.
- Tryck på "Bakåt/Stopp" för att lämna "Användarmeny".

Användarinställning

I "Användarinställning"-menyn kan du ändra användarinställningarna om det behövs.

Se avsnittet "Skapa användare" för mer om hur du kan ändra och spara användarinställningarna.

- Tryck på "Bakåt/Stopp" för att lämna "Användarinställning"-menyn.

Ta bort användare

I "Användarinställning"-menyn kan du ta bort en användare och tillhörande data från de lagrade användarinställningarna.

- Använd knapparna för "Hastighet & Lutning + / - " för att välja den användare som ska tas bort:
- Tryck på "Enter/ Start" för att bekräfta och vald "Egen profil" tas bort utan extra varning.
- Tryck på "Bakåt/Stopp" för att lämna "Användarinställning"-menyn.

Ändra användare

I "Ändra användare"-menyn kan du växla mellan tillgängliga användare i användarlistan.

- Använd knapparna för "Hastighet & Lutning + / - " för att välja den användare som ska väljas:
- Tryck på "Enter/Start" för att bekräfta vald användare.
- Tryck på "Bakåt/Stopp" för att lämna "Användarinställning"-menyn.

Skapa ny användare

Tryck på "Användare/+ (öka)" för att gå till "Skapa ny användare"-menyn.

- Använd knapparna för "Hastighet & Lutning + / - " för att välja en av de nio inställningarna för användardata.
- Tryck på "Enter/Start" för att bekräfta och öppna den valda användarparameterns inställningsskärm.

Användarnamn:

- Tryck på "Enter/Start" för att öppna textredigeringsläget med ett "A"
- Ändra det med knapparna för "Hastighet & Lutning + / - " och bekräfta tecknet med "Enter/ Start", och välj nästa tecken.
- Skriv färdigt filnamnet genom att upprepa den här proceduren.
- När du skrivit färdigt filnamnet väljer du "V" och skärmen sparar filnamnet och återgår till "Skapa ny användare"-menyn.

Enheter, Skärm

- Använd knapparna för "Hastighet & Lutning + / - " för att välja enhetsinställningar.

	Hastighet	Avstånd	Höjd	Vikt
Metrisk	Km/h	Km	cm	kg
Imperisk:	Mph	Mile	Ft/ Inch	Lbs

- Tryck på "Enter/Start" för att bekräfta inställningen och återgå till "Skapa ny användare"-menyn.

Skärm

- Använd knapparna för "Hastighet & Lutning + / - " för att välja skärminställning.
Uppräkning: förinställd tid/avstånd kommer att räknas uppstigande
Nedräkning: förinställd tid/avstånd kommer att räknas nedstigande.
- Tryck på "Enter/Start" för att bekräfta inställningen och återgå till "Skapa ny användare"-menyn.

Kön

- Använd knapparna för "Hastighet & Lutning + / - " för att välja köninställning.
- Tryck på "Enter/Start" för att bekräfta inställningen och återgå till "Skapa ny användare"-menyn.

Ålder

- Använd knapparna för "Hastighet & Lutning + / - " för att välja ålder.
Område: 10 ~ 99 ± 1
- Tryck på "Enter/Start" för att bekräfta inställningen och återgå till "Skapa ny användare"-menyn.

Längd

- Använd knapparna för "Hastighet & Lutning + / - " för att välja längd.
Område: Metrisk: 110 ~ 210 ± 1 / Imperisk: 3'7 ~ 6'10 ± 0'1
- Tryck på "Enter/Start" för att bekräfta inställningen och återgå till "Skapa ny användare"-menyn.

Vikt

- Använd knapparna för "Hastighet & Lutning + / - " för att välja vikt.
Område: 30 ~ 150 ± 1 / Imperisk: 66 ~ 330 ± 1
- Tryck på "Enter/Start" för att bekräfta inställningen och återgå till "Skapa ny användare"-menyn.

Max puls

Max pulsinställning är ett automatiskt beräknat värde baserat på ålder och kön. Men du kan även fastställa en egen gräns.

Man: 220 - ålder är Max. Puls

Kvinna: 226 - ålder är Max. PULS

- Använd knapparna för "Hastighet & Lutning + / - " för att välja maxpuls.
Område: 80 ~ 220 ± 1
- Tryck på "Enter/Start" för att bekräfta inställningen och återgå till "Skapa ny användare"-menyn.

Max hastighet

- Använd knapparna för "Hastighet & Lutning + / - " för att välja längd.
Område: 0.5 ~ 16.0 ± 0.1 / Imperisk: 0.3 ~ 10.0 ± 0.1
- Tryck på "Enter/Start" för att bekräfta inställningen och återgå till "Skapa ny användare"-menyn.

OBS

- Den inställda maxhastigheten kommer att användas som löpbandets maximala hastighet, såväl i manuellt läge som i programprofil lägen.

Garanti

Garantivillkor

Konsumenten har rätt att tillämpa de nationellt lagstadgade rättigheterna gällande konsumentvaror och denna garanti begränsar inte dessa rättigheter.

Äggarantin är giltig endast om Tunturi träningsredskap används i de miljöer som tillåts enligt Tunturi. Vilka miljöer som är tillåtna står i träningsredskapets bruksanvisning.

Garantivillkor

Garantivillkoren börjar att gälla från inköpsdatumet. Garantivillkoren kan variera mellan olika länder. Kontakta en lokal återförsäljare om garantivillkoren.

Garantins omfattning

Oavsett omständigheter, ansvarar inte Tunturi New Fitness BV eller Tunturis återförsäljare för uppkomna personskador som påverkar köparen, och som innebär inkomstförlust eller andra ekonomiska följdverkningar.

Gegränsningar i garantin

Garantin gäller för arbets- och materialfel, förutsatt att redskapet är i originalmonterat skick. Garantin gäller endast fel som uppstår vid normalt bruk och då den använts enligt Tunturis instruktioner gällande montering, skötsel och användning. Tunturi New Fitness BV och Tunturis återförsäljare ansvarar ej för fel som uppkommer utanför deras kontroll.

Garantin gäller endast redskapets ursprungliga ägare och är gällande endast i de länder där det finns en godkänd Tunturi New Fitness BV återförsäljare.

Garantin gäller ej för redskap eller delar som har ändrats utan Tunturi New Fitness BV:s godkännande. Garantin gäller ej för fel som beror på normalt slitage, felaktig användning, användning i förhållanden som inte är avsett för redskapet, korrosion eller lastnings- och transportskador.

Garantin täcker inte ljud som uppstår under användning såvida dessa inte väsentligt hindrar utrustningens användning eller har orsakas av ett fel i utrustningen.

Garantin gäller inte för underhållsarbete, som rengöring, smörjning eller normal kontroll av komponenterna och inte heller för monteringsarbete som kunden själv kan göra och som inte kräver att redskapet plockas isär/sätts ihop. Det gäller till exempel byte av mätare, trampor eller andra motsvarande enkla delar. Garantireparationer utförda av andra än en godkänd Tunturi-representant, ersätts inte. Ifall instruktionerna i manualen inte följs upphävs produktens garanti.

Rengöring och underhåll

⚠ VARNING

- Innan rengöring och underhåll, avlägsna stickkontakten från vägguttaget.
 - Använd inte lösningsmedel för att rengöra utrustningen.
- Blockera inte ventilationsöppningarna. Håll ventilationsöppningarna rena från damm, smuts och andra hinder.
 - Rengör utrustningen med en mjuk och absorberande trasa efter varje användning.
 - Rengör synliga delar av utrustningen med en dammsugare med ett litet sugmunstycke.
 - Kontrollera regelbundet att alla skruvar och muttrar är åtdragna.

Bandet och löpunderlaget

Ditt löparband har ett högeffektivt lågfriktionsband. Bästa prestanda erhålls när löpunderlaget hålls ren. Använd en mjuk, ren och fuktad trasa eller hushållspapper för att torka av bandets kanter området mellan bandets kanter och ramen. Försök att nå så långt det går under bandets kanter. Rengör bandet så här en gång i månaden så kommer ytan på bandet att hållas i optimalt skick. Använd enbart vatten - inga rengöringsmedel får användas. Använd ett mildt rengöringsmedel och vatten och en nylonborste för att rengöra det texturerade bandet. Låt bandet torka innan du använder det igen.

Smörjning (fig. F-4)

Löpattan måste smörjas en gång varannan månad, baserat på en genomsnittlig användning som uppgår till 60 minuter per dag.

⚠ VARNING

- Innan smörjning, avlägsna stickkontakten från vägguttaget.
- ### ⚠ OBS.
- Vi rekommenderar att du kontrollerar löpbandets smörjning minst en gång i månaden, eftersom fler faktorer än tiden kan vara relevanta för smörjmedelsförhållandena.
 - Smörj bara löpattan vid behov. Om du använder för mycket smörjmedel, kommer löpattan att slira på grund av för lite friktion.
- Stå stabilt på löpattan.
 - Håll i det främre handtaget och använd dina fötter för att trycka löpattan så att den glider fram och tillbaka. Löpattan måste röra sig jämnt och ljudlöst.
 - Om löpattan inte rör sig jämnt, eller om det inte rör sig alls, vidrör undersidan av löpattan med dina fingertoppar och undersök smörjningen:
 - Om du känner smörjmedel eller om dina fingertoppar är blanka

finns det tillräckligt med smörjmedel på löpattan.

- Om du inte känner något smörjmedel, eller om dina fingertoppar är dammiga, applicera smörjmedel (15-20 ml) i mitten av löpbrädan under löpattan och låt utrustningen vara igång i 5 km/h under minst fem minuter.
- Efter smörjning, fäll inte ihop utrustningen innan du har tränat i minst 20 minuter i en hastighet på minst 5 km/h. Smörjmedlet sprids ut jämnt över löpattan.

Banddamm

Detta uppstår i början och är normalt under inkörningsperioden. Torka bort synligt damm med en fuktig trasa

Allmän rengöring

Smuts, damm och hår från husdjur kan med tiden blockera ventilationsöppningarna på löparbandet. Månatlig rengöring: dammsug under löparbandet. Ta av den svarta bakre höljet två gånger om året och dammsug invändigt. KOPPLA ALLTID UR STICKPROPPEN INNAN DU GÖR NÅGOT AV DETTA.

Justera bältet

Denna justering görs genom att den bakre rullen. Ställskruvarna är placerade vid ändarna av ändkåporna.

- Spänn de bakre bandrullemuttrarna (medurs) bara så att bandet inte slirar på frontrullen. Vrid båda spännbultar lika mycket i steg om 1/4 varv åt gången och testa spänningen genom att gå på bandet vid en mycket låg hastighet för att kontrollera att bandet inte slirar på rullarna. Fortsätt justera tills bandet inte slirar längre.
- Om bandet är tillräckligt spänt men fortfarande slirar kan detta bero på en löst motorrem under fronthöljet..
- Spänn inte för hårt: Om du spänner bandet för hårt kan det ta skada både bandet och lagren.

Justera bandspårningen

öparbandets prestanda är beroende på den yta som ramen står på. Om golvet inte är plant kan rullarna fram och bak inte löpa parallellt och ständig justering kan behövas.

Löparbandet har designats för att hålla bandet i mitten under användningen. Det är normalt att ett band kan dras åt ena sidan när det inte belastas. Efter några minuters användning ska bandet dock dras mot mitten igen. Om bandet istället fortsätter att dra åt ena hållet under användningen måste det justeras.

UNDANTAG:

Vid rehabilitering och användaren har större styrka i det ena benet, då kan det hända att bandet dras åt ena sidan. Under sådana omständigheter ska du inte justera då bandet återställer sig vid jämn belastning.

Ställa in bandspårning: (fig. F-5)

En 10 mm insexnyckel medföljer för justering av den bakre rullen. Justera bandspårningen enbart från vänster sida. Ställ in hastigheten på ca. 3 - 5 km/tim.

Tänk på att en liten justering kan ha stor effekt.

Vrid muttern medurs för att föra bältet åt höger. Vrid moturs för att föra det åt vänster. Vrid bara ett kvarts slag och vänta i några minuter så att bandet kan justera sig själv. Fortsätt med ytterligare ett kvarts slag tills bandet har centerats på mitten på banan.

Regelbunden justering av bandspårningen kan krävas beroende på användning och kraftfördelning under träningen. Olika användare kan påverka spårningen olika. Det är normalt att behöva justera bandspårningen då och då. Efter ett tag krävs mindre justering. Rätt bandspårning är ägarens ansvar och är en normal justering som behövs göras regelbundet på alla löparband.

⚠ ANMÄRKNING

- Skada som uppstått till följd av fel bandspårning / spänning, täcks inte av garantin.

Störningar Vid Användning

Trots kontinuerlig kvalitetskontroll kan fel eller funktionsstörningar som beror på någon enskild komponent förekomma. Därför är det onödigt att hela redskapet skickas på reparation, eftersom det för det mesta räcker med att aktuell komponent byts.

Kontakta genast din försäljare om du upptäcker fel eller brister när du använder ditt redskap eller om du behöver reservdelar. Uppge alltid redskapets modell och serienummer. Beskriv problemet, hur redskapet använts, och uppge inköpsdagen.

Behöver du reservdelar, uppge också numret på reservdelar; du hittar en lista på reservdelar i slutet på den här handboken. Till apparaten är endast delar från reservdelslistan användas.

Felkoder

Om displayen visar en felkod ("E" + siffra), starta om utrustningen och kontrollera om displayen fortfarande visar felkoden. Om displayen fortfarande visar felkoden, kontakta omedelbart återförsäljaren.

Transport och lagring**⚠ VARNING**

- Innan rengöring och underhåll, avlägsna stickkontakten från vägguttaget.
- Var två om att bära och förflytta utrustningen.
- Kontrollera att det inte finns några andra personer eller föremål under utrustningen.
- När utrustningen fälls ihop, kontrollera att utrustningen blir fastlåst för att förhindra att den faller tillbaka ner.

⚠ OBS.

- Innan utrustningen fälls ihop, kontrollera att lutningen är 0%. Omlutningen inte är 0% kommer mekanismen att bli skadad av att fällas ihop.
- Förflytta utrustningen som på bilden (fig. F3). Förflytta utrustningen och sätt ner den försiktigt. Placera utrustningen på en skyddande grund för att förhindra att golvet skadas. Förflytta utrustningen försiktigt över ojämna ytor. Förflytta inte utrustningen till övervåningen med hjulen, utan bär utrustningen med handtagen.
- Förvara utrustningen upprätt (fig. F1). Förvara utrustningen på en torr plats med så liten temperaturvariation som möjligt.

Ytterligare information**Bortskaffande av förpackning**

Riktlinjer från myndigheter uppmanar att vi minskar mängden avfall som placeras i deponier. Vi ber dig därför att bortskaffa allt förpackningsavfall på ett ansvarsfullt sätt på allmänna återvinningscentraler.

Bortskaffande av uttjänt redskap

Vi på Tunturi hoppas att du får många års trevlig användning av ditt träningsredskap. Men det kommer en tid när ditt träningsredskap är uttjänt. Enligt den europeiska WEEE-lagstiftningen, ansvarar du för korrekt bortskaffande av ditt träningsredskap på en allmän återvinningsanläggning.

Teknisk information

Parameter	Måttenhet	Värde
Nätspänning	VAC	210 ~ 240
Nätfrekvens	HZ	50 ~ 60
Motor	HP	2.5 5.5 Max.
Hastighet	Km/H	0.5 ~ 16.0
Hastighet	Mph	0.3 ~ 10.0
Lutning	Step	0 ~ 15
Längd (ihopvikt)	Cm	193.0 (137.0)
Längd (ihopvikt)	Inch	76.0 (53.9)
Bredd	Cm	82.5
Bredd	Inch	32.5
Höjd (ihopvikt)	Cm	149.0 (155.0)
Höjd (ihopvikt)	Inch	58.7 (61.0)
Vikt	Kg	117.0
Vikt	Lbs	257.9
Max användarvikt	Kb	150
Max användarvikt	Lbs	330
HR. receiver	Khz	5.3 Khz

Försäkran från tillverkaren

Tunturi New Fitness BV försäkrar att produkten uppfyller följande standarder och direktiv: EN 957 (HA), 89/336/EEG. Produkten är därför CE-märkt.

12-2019

Tunturi New Fitness BV
Purmerweg 1
1311 XE Almere
Nederländerna

Friskrivning

© 2019 Tunturi New Fitness BV
Alla rättigheter förbehållna.

Produkten och handboken kan komma att ändras. Specifikationer kan ändras utan förvarning.

På vår webbplats finns den senaste bruksanvisningen.

Suomeksi

Tämä suomennettu käyttöohje on käännetty Englannin kielestä. Pidätämme oikeudet mahdollisiin käännösvirheisiin. Käännös tehty virallisen, englanninkielisen version pohjalta.

Sisältö

Juoksumatto	95
Turvallisuusvaroitukset	95
Sähköturvallisuus	95
Monteringsanvisningar	96
Kuvaus (kuva A)	96
Pakkauksen sisältö (kuva. B&C)	96
Kokoonpano (kuva. D)	96
Lisätarvikkeet (kuva. H)	96
Harjoitukset	96
Ohjeita harjoittelua varten	96
Syke	97
Käyttö	97
Ohjauspaneeli (kuva. E-1)	98
Painikkeet	98
Näytön kohtien selitykset (kuva H)	98
USB-toiminto	99
Ohjelmat-valikko	99
Pika-aloitus	99
Harjoituksesi keskeyttäminen/lopettaminen	99
Tavoitesyke	99
Manuaaliohjelma	100
Valmisohjelmat	100
Omat harjoitukset	100
Kuntotesti	101
T-Road	101
Bluetooth-tila	101
Käyttäjä	101
Käyttäjän loki	101
Käyttäjän asetukset	101
Käyttäjän asetukset	102
Poista käyttäjä	102
Vaihda käyttäjä	102
..... Luo käyttäjä	102
Takuu	102
Puhdistus ja huolto	103
Voitelu (kuva F-4)	103
Käyttöhäiriöt	104
Virhekoodit	104
Kuljetus ja säilytys	104
Lisätietoa laitteen omistajalle	104
Tekniset tiedot	104
Valmistajan vakuutus	104
Vastuuvapauslauseke	105

Juoksumatto

Tervetuloa Tunturi Fitness -maailmaan!
Kiitämme sinua tämän Tunturi-laitteen ostosta. Tunturi tarjoaa laajan valikoiman ammattimaisia kuntoilulaitteita, mukaan lukien crosstrainerit, juoksumatot, kuntopyörät ja soutulaitteet. Tunturi-laite sopii koko perheelle kuntotasosta riippumatta. Katso lisätiedot verkkosivuiltamme www.tunturi.com

Tärkeitä turvallisuusohjeita

Tämä opas on olennainen osa kuntolaitettasi. Perehdy ohjeisiin huolellisesti ennen kuin asennat, käytät tai huollat kuntolaitettasi. Sinun tulee ehdottomasti säilyttää tämä opas, sillä jatkossa se opastaa Sinua niin kuntolaitteesi tehokkaaseen käyttöön kuin huoltoonkin. Muista aina noudattaa tämän oppaan ohjeita.

Turvallisuusvaroitukset

VAROITUS

- Lue turvallisuusvaroitukset ja -ohjeet. Turvallisuusvaroitusten ja -ohjeiden jättäminen noudattamatta voi aiheuttaa henkilön loukkaantumisen tai laitevaurion. Säilytä turvallisuusvaroitukset ja -ohjeet myöhempää käyttöä varten.

VAROITUS

- Sykkeenvälvontajärjestelmät saattavat olla epätarkkoja. Liiallinen harjoittelu saattaa aiheuttaa vakavia vammoja tai kuoleman. Jos tunnet olosi heikoksi, lopeta harjoittelu heti.

- Tämä laite soveltuu sekä koti- että ammattikäyttöön (esim. sairaaloihin, paloasemille, hotelleihin, kouluihin). Enimmäiskäyttö on rajoitettu 6 tuntiin päivässä. Laite ei sovellu täyteen kaupalliseen käyttöön (esim. suuriin kuntosaleihin).
- Tämän laitteen käyttö lasten tai fyysisesti, aistillisesti, henkisesti, tai liikunnallisesti rajoittuneiden, tai kokemukseltaan ja tiedoiltaan puutteellisten henkilöiden toimesta voi aiheuttaa vaaratilanteita. Heidän turvallisuudestaan vastuussa olevien henkilöiden on annettava selkeät ja tarkat ohjeet laitteen käytöstä ja valvottava laitteen käyttöä.
- Ennen harjoituksen aloittamista ota yhteys lääkäriin terveystarkastusta varten.
- Jos sinulla on pahoinvointia, huimausta, tai muita epätavallisia oireita, lopeta välittömästi harjoitus ja ota yhteys lääkäriin.
- Vältä lihaskipuja ja venähdyksiä aloittamalla jokainen harjoitus lämmittelyjaksolla ja pääätä jokainen harjoitus jäähdyttelyjaksolla. Muista venytellä harjoittelun lopuksi.
- Laite on sopiva vain sisäkäyttöön. Laite ei ole sopiva ulkokäyttöön.
- Käytä laitetta riittäväällä tuuletuksella varustetuissa tiloissa. Älä käytä laitetta vetoisissa tiloissa välttääksesi kylmettymisen.
- Käytä laitetta vain ympäristölämpötilassa 10 °C - 35 °C. Säilytä laitetta vain ympäristölämpötilassa 5 °C - 45 °C.
- Älä käytä tai säilytä laitetta kosteissa tiloissa. Ilmankosteus ei saa koskaan olla yli 80 %.
- Käytä laitetta vain sen aiottuun tarkoitukseen. Älä käytä laitetta muihin, kuin tässä käyttöoppaassa esitettyihin tarkoituksiin.
- Älä käytä laitetta, jos sen jokin osa on vaurioitunut tai viallinen. Jos osa on vaurioitunut tai viallinen, ota yhteys jälleenmyyjään.
- Pidä kätesi, jalkasi ja kehon muut osat pois liikkuvista osista.
- Pidä hiuksesi pois liikkuvista osista.
- Käytä asianmukaista vaatetusta ja kenkiä.
- Pidä vaatteet, korut ja muut esineet pois liikkuvista osista.
- Varmista, että vain yksi henkilö kerrallaan käyttää laitetta. Yli 150 kg (330 lbs) ainava henkilö ei saa käyttää laitetta.
- Älä avaa laitetta ilman yhteydenottoa jälleenmyyjäsi.

Sähköturvallisuus

(koskee vain sähköistä laitetta)

- Varmista aina ennen käyttöä, että sähkölähteen jännite on sama kuin laitekilvessä ilmoitettu laitteen nimellisjännite.
- Älä käytä jatkojohtoa.
- Pidä virtajohto pois kuumasta, öljystä ja terävistä kulmista.
- Älä tee muutoksia virtajohtoon tai pistokkeeseen.
- Älä käytä laitetta, jos virtajohto tai virtajohdon pistoke on vaurioitunut tai viallinen. Jos virtajohto tai virtajohdon pistoke on vaurioitunut tai viallinen, ota yhteys jälleenmyyjäsi.
- Suorista aina virtajohto täysin.
- Älä vie virtajohtoa laitteen alitse. Älä laita virtajohtoa maton alle. Älä laita virtajohdon päälle mitään esineitä.
- Varmista, ettei virtajohto roiku pöydän kulman yli. Varmista, ettei virtajohtoon voi vahingossa tarttua kiinni tai kompastua.
- Älä jätä laitetta ilman valvontaa virtajohdon ollessa liitettynä pistorasiaan.
- Älä vedä pistoketta irti pistorasiasta virtajohdosta vetämällä.
- Irrota pistoke pistorasiasta, kun laite ei ole käytössä, ennen asennusta tai purkamista ja ennen puhdistusta sekä huoltoa.

VAROITUS

- Jos virtalähteen jännitevaihtelu on 10 % tai enemmän, se voi vaikuttaa kielteisesti juoksumaton toimintaan. Sellaiset olosuhteet eivät kuulu takuun piiriin. Jos epäilet, että jännite on alhainen, ota yhteyttä energiayhtiöosi tai valtuutettuun sähkömieheen asian tarkistamiseksi.

VAROITUS

- ÄLÄ käytä vikavirtasuojakytkimellä varustettua pistorasiaa tämän juoksumaton kanssa. Vikavirtasuojakytkin ei toimi luotettavasti sellaisten laitteiden kanssa, joissa on suuri moottori. Sijoita verkkojohto riittävän etäälle juoksumaton liikkuvista osista, kaltevuusmekanismi ja siirtopyörät mukaan lukien.

Maadoitusohjeet

Tämä laite on liitettävä maadoitettuun pistorasiaan. Jos juoksumaton sähköjärjestelmään sattuisi tulemaan häiriöitä tai vikaa, maadoitus vähentää sähköiskun vaaraa tarjoamalla sähkövirralle vähiten vastusta sisältävän polun. Juoksumaton verkkojohdossa on maadoitettu pistoke. Pistoke on liitettävä asianmukaiseen seinäpistorasiaan, joka on asennettu ja maadoitettu kaikkien paikallisten normien ja määräysten mukaisesti.

VAROITUS

- Maattojohdon väärä liitäntä voi aiheuttaa sähköiskun vaaran. Jos et ole varma siitä, onko laite maadoitettu ohjeiden mukaisesti, tarkista asia pätevältä sähkömieheltä tai huoltoasentajalta. Jos kuntolaitteen mukana toimitettu pistoke ei sovi pistorasiaan, älä yritä tehdä pistokkeeseen muutoksia. Ota yhteyttä valtuutettuun sähkömieheen ohjeiden mukaisen pistorasian asentamiseksi.

Monteringsanvisningar**Kuvaus (kuva A)**

Juoksumattosi on paikallaan pysyvä kuntoilulaite, jota käytetään simuloimaan kävelyä tai juoksua ilman liiallista rasitusta niveliin.

Pakkauksen sisältö (kuva. B&C)

- Pakkaus sisältää kuvassa B näytetyt osat.
- Pakkaus sisältää kuvassa C näytetyt kiinnittimet. Katso "Kuvaus"-osiota.

ILMOITUS

- Jos osa puuttuu, ota yhteys jälleenmyyjään.

Kokoonpano (kuva. D)**VAROITUS**

- Kokoonpane laite esitetyssä järjestyksessä.
- Vähintään kahden henkilön on kannettava ja siirrettävä laitetta.

HUOMAUTUS

- Sijoita laite kovalle, tasaiselle alustalle.
- Asettakaa laite suojalustalle lattiapinnan vaurioiden estämiseksi.
- Varaa vähintään 100 cm tilaa laitteen ympärille.

- Katso piirroksista laitteen oikea asennus.

Lisätarvikkeet (kuva. H)**HUOM.**

- Esitetty kuva osoittaa, kuinka kouluttaja näyttää sopivilla pidennetyillä kaiteilla.
- Lisälaajennetut kaiteet voidaan ostaa lisävarusteena.
- Article nr: 19TRNRH000

Ota yhteys jälleenmyyjään saadaksesi lisätietoja.

Harjoitukset

Harjoituksen on oltava sopivan kevyt, mutta pitkäkestoinen. Aerobic-harjoitus perustuu kehon maksimi hapenottokyvyn parantamiseen, mikä puolestaan parantaa kestävyyttä ja kuntotasoa. Harjoituksen aikana sinun tulisi hikoilla, mutta sinun ei tulisi hengästyä. Harjoittele vähintään kolme kertaa viikossa 30 minuuttia peruskuntotason saavuttamiseksi ja ylläpitämiseksi. Paranna kuntotasoa lisäämällä harjoituskertojen määrää. On hyödyllistä yhdistää säännöllinen harjoitus terveelliseen dieettiin. Dieettiin sitoutuneen henkilön tulisi harjoitella päivittäin, ensi alkuun korkeintaan 30 minuuttia ja vähitellen lisäten päivittäinen harjoitusaika yhteen tuntiin. Aloita harjoituksesi hitaalla nopeudella ja pienellä vastuksella estääksesi liiallisen rasituksen sydän-verisuonijärjestelmään. Nopeutta ja vastusta voidaan vähitellen lisätä kuntotason parantuessa. Harjoituksesi tehokkuus voidaan mitata seuraamalla sydämesi lyöntinopeutta ja pulssisi nopeutta. Lisää nopeutta ja vastusta vähitellen oman kuntosi mukaan. Pidä pää pystyssä ja kaula suorana välttääksesi stressiä kaulassa, hartioissa ja selässä. Pidä selkäsi suorana. Varmista, että jalkasi ovat keskellä polkimia ja että lantio, polvet, nilkat ja varpaat ovat suorana eteenpäin. Pidä painosi alaruumiin yläpuolella, huolimatta siitä, nojaatko eteenpäin vai seisotko suorana. Lopeta harjoitusjakso vähentämällä nopeutta ja vastusta vähitellen. Muista venytellä harjoittelun loppuksi.

Ohjeita harjoittelua varten

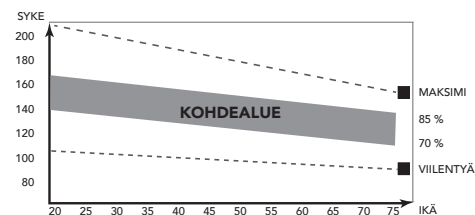
Kuntolaitteen käyttö tarjoaa monia etuja: se parantaa fyysistä kuntoa, kiinteyttää lihaksia ja hallittuun ruokavalion yhdistettynä se auttaa myös pudottamaan painoa.

Lämmittelyvaihe

Tämän vaiheen tarkoituksena on saada veri virtaamaan nopeammin ympäri kehoa ja panna lihakset tekemään työtä. Lämmittely vähentää myös kramppien ja lihavammojen riskiä. Suosittelemme, että teet muutaman venyttelyharjoituksen alla olevan kuvan mukaisesti. Jokaisen venytyksen tulisi kestää noin 30 sekuntia. Älä tee venytyksiä väkisin tai nykäisten - jos tunnet kipua, LOPETA.

Harjoitteluvaihe

Tämä on se vaihe, jossa ponnistelet. Säännöllisen harjoittelun tuloksena jalkojesi lihakset tulevat joustavammiksi. Tässä vaiheessa on hyvin tärkeää ylläpitää tasaista nopeutta koko ajan. Rasituksen tulisi olla riittävän suuri, jotta sykkeesi nousee tavoitealueelle alla olevan kaavion mukaisesti



Tämän vaiheen tulisi kestää vähintään 12 minuuttia, mutta useimmilla aloittelijoilla se on noin 15-20 minuuttia.

Jäähdyttelyvaihe

Tämän vaiheen tarkoituksena on antaa verenkiertojärjestelmäsi ja lihaksiesi palautua. Jäähdyttelyssä toistetaan lämmittelyvaiheen harjoitukset vähentämällä ensin nopeutta ja jatkamalla tällä nopeudella noin 5 minuuttia. Toista sitten venyttelyharjoitukset pitäen mielessä, että venytyksiä ei saa tehdä väkisin tai nykäisten. Kun kuntosi nousee, voit tarvita pidempiä ja raskaampia harjoituksia. On suositeltavaa treenata vähintään kolme kertaa viikossa, ja harjoittelut olisi hyvä jakaa tasaisesti viikon varrelle.

Lihasten kiinteytys

Jos tavoitteenasi on lihasten kiinteytys, sinun pitää asettaa vastus suureksi. Silloin jalkojesi lihakset rasittuvat enemmän, etkä ehkä pysty treenaamaan niin pitkään kuin haluaisit. Jos tavoitteenasi on myös kunnan kohentaminen, sinun pitää muuttaa harjoitteluohjelmaasi. Harjoittele lämmittely- ja jäähdyttelyvaiheissa normaalisti, mutta

lisää vastusta harjoitteluvaiheessa, jotta jalkasi joutuvat tekemään enemmän työtä. Vähennä tarvittaessa nopeutta, jotta sykkeesi pysyy tavoitealueella.

Painon pudotus

Ratkaisevaa on se, miten rasittavaa harjoittelu on. Mitä enemmän ja mitä pidempään harjoittelet, sitä enemmän poltat kaloreita. Vaikutus on sama kuin jos harjoittelisit kunnan kohentamiseksi, vaikka tavoite on nyt toinen.

Syke

Pulssinopeuden mittaus (käsipulssianturit)

Pulssinopeus mitataan käsitukiä antureilla käyttäjän koskettaessa kumpaakin anturia samanaikaisesti.

Pulssi saadaan mitattua mahdollisimman tarkasti, kun iho on hieman kostea ja se koskettaa koko ajan käsipulssiantureita. Jos iho on liian kuiva tai liian kostea, pulssinopeuden mittaus voi olla epätarkempi.

ILMOITUS

- Älä käytä käsipulssiantureita yhdessä sykevyön kanssa.
- Jos asetat rajan sydämen lyöntinopeudelle, rajan ylittyessä kuuluu äänihälytys.

Sykkeen mittaus (sykevyö)

ILMOITUS

- Rinnahihna ei ole vakiona tämän kouluttajan kanssa. Kun haluat käyttää langatonta rintahihnaa, sinun on ostettava tämä lisävarusteena.

Tarkin sydämen lyöntinopeus saadaan sykevyöllä. Sykemittaus tapahtuu käyttöliittymän sykevastaanottimen ja sykevyön lähettimen avulla. Tarkka sydänmittaus edellyttää lähettimen elektrodien olevan hieman kosteita ja jatkuvassa kosketuksessa ihoon. Jos elektrodit ovat liian kuivia tai liian kosteita, sykkeen mittaus voi olla epätarkempi.

VAROITUS

- Jos sinulla on sydäntahdistin, ota yhteys lääkäriin ennen sykevyön käyttöä.

HUOMAUTUS

- Jos useita sykemittauslaitteita on vierekkäin, varmista, että niiden keskinäinen etäisyys on vähintään 2 metriä.
- Varmista, että laitteen sykevastaanottimen ja sykevyön lähettimen kantomatkan sisällä ei ole muita lähettäjiä, jotka voisivat aiheuttaa häiriöitä mittauksessa.

ILMOITUS

- Älä käytä sykevyötä yhdessä käsipulssiantureiden kanssa.
- Pidä aina sykevyötä vaatteittesi alla suorassa kosketuksessa ihoosi. Älä pidä sykevyötä vaatteittesi päällä. Jos pidät sykevyötä vaatteittesi päällä, signaalia ei ole.
- Jos asetat rajan sydämen lyöntinopeudelle, rajan ylittyessä kuuluu äänihälytys.
- Lähetin lähettää sykkeen korkeintaan 1,5 metrin etäisyydellä olevaan ohjauspaneeliin. Jos elektrodit eivät ole kosteita, sydämen lyöntinopeus ei tule näytölle.
- Jotkin vaatteiden kuidut (esim. polyesteri, polyamidi) synnyttävät staattista sähköä, mikä voi estää tarkan sydämen lyöntinopeuden mittauksen.
- Matkapuhelimet, televisiot ja muut sähkölaitteet luovat sähkömagneettisen kentän, joka voi estää tarkan sydämen lyöntinopeuden mittauksen.

Suurin sallittu sydämen lyöntinopeus (harjoituksen aikana)

Suurin sallittu sydämen lyöntinopeus on suurin lyöntinopeus, jonka henkilö voi turvallisesti saavuttaa harjoituksen rasituksella. Seuraavaa kaavaa käytetään laskemaan keskimääräinen suurin sallittu sydämen lyöntinopeus: 220 - IKÄ. Suurin sallittu sydämen lyöntinopeus vaihtelee henkilöstä toiseen.

VAROITUS

- Varmista, ettet ylitä sydämesi suurinta sallittua lyöntinopeutta harjoituksen aikana. Jos kuulut riskiryhmään, ota yhteys lääkäriin.

Aloittelija

50-60% suurimmasta sallitusta sydämen lyöntinopeudesta

Sopiva aloittelijoille, painonvartijoille, toipilaille, ja henkilöille, jotka eivät ole harjoitelleet pitkään aikaan. Harjoittele vähintään kolme kertaa viikossa, 30 minuuttia kerrallaan.

Edistynyt

60-70% suurimmasta allitusta sydämen lyöntinopeudesta

Sopiva henkilöille, jotka haluavat parantaa ja ylläpitää kuntoaan.

Harjoittele vähintään kolme kertaa viikossa, 30 minuuttia kerrallaan..

Ekspertti

70-80 % suurimmasta sallitusta sydämen lyöntinopeudesta

Sopiva kunnoltaan erittäin hyvälle henkilöille, jotka ovat tottuneet pitkäkestoisiin harjoituksiin.

Käyttö

Pääkytkin (kuva E-2A)

Tämä laite on varustettu pääkytkimellä laitteen sammuttamiseksi kokonaan.

Laitteen käynnistäminen:

- Työnnä virtajohdon pistoke laitteeseen.
- Laita virtajohdon pistoke pistorasiaan.
- Laita pääkytkin ON-asentoon.

The console application will start loading in the following order:

Stage 1: "Tunturi" logo is display for a few seconds.

Stage 2: "Loading..." is blinking in display.

Stage 3: 3 Acoustic beeps will be heard.

The main menu will open in where "Quick start" is selected as default. Trainer is now ready for use.

Laitteen pysäyttäminen:

- Laita pääkytkin OFF-asentoon.
- Poista virtajohdon pistoke pistorasiasta.
- Poista virtajohdon pistoke laitteesta.

NOTE

- Avoid switching off the equipment when there is a data saving activity, to avoid data to be lost.

Turvallisuusavain (kuva F-4)

Laitte on varustettu turvallisuusavaimella, joka on laitettava asianmukaisesti ohjauspaneeliin laitteen käynnistämiseksi. Jos poistat turvallisuusavaimen ohjauspaneelista, laite pysähtyy välittömästi.

- Työnnä turvallisuusavain ohjauspaneelissa olevaan hahloon.
- Varmista, että turvallisuusavaimen pidike on kiinnitetty hyvin vaatteisiisi. Varmista, että pidike ei irtoa vaatteistasi ennen kuin turvallisuusavain irtoaa ohjauspaneelista.

ILMOITUS

- Konsoli näyttää "Palauta turva-avain"-koodin, kun turva-avain ei ole paikallaan käynnistyksen aikana.

Katkaisin (kuva. E-2B)

Laitte on varustettu katkaisimella, joka avaa virtapiirin sähkökuormituksen ollessa yli suurimman sallitun kuorman. Tämän tapahtuessa katkaisijaa on painettava.

VAROITUS

- Poista virtajohdon pistoke laitteesta ennen katkaisimen painamista.

Jos laite sammuttaa itsensä, käynnistä laite uudestaan seuraavasti:

- Poista virtajohdon pistoke laitteesta.
- Paina katkaisinta laitteen käynnistämiseksi uudelleen.
- Työnnä virtajohdon pistoke laitteeseen.

ILMOITUS

- Joitakin kotona käytettäviä katkaisimia ei ole luokiteltu korkeaan käynnistyskäyttövirtaan, jota voi esiintyä, kun juoksumatto kytketään päälle ja jopa normaalin käytön aikana. Jos juoksumattosi aktivoi katkaisimen (vaikka luokitus on oikea ja juoksumatto on virtapiiriin ainoa laite), mutta juoksumaton oma katkaisin ei aktivoitu, sinun pitää vaihtaa katkaisin korkealle käynnistyskäyttövirralle tarkoitettuun tyyppiin. Tämä vika ei kuulu takuun piiriin. Kyseessä on asia, johon emme valmistajana voi vaikuttaa.

Laitteen avaaminen ja kokoontaittaminen (kuva F1-F2)

Laite voidaan avata käyttöä varten (kuva F1) ja taittaa kokoon kuljetusta ja säilytystä varten (kuva F2).

Katso piirroksista oikea tapa laitteen avaamiseen ja taittamiseen kokoon.

VAROITUS

- Juoksualustan voi nostaa säilytysasentoon vain, mikäli alustan kulma on 0%. Mikäli kulma on jokin muu, säilytysasentoon nostaminen vahingoittaa lukitusmekanismeja!

Tukijalkojen säätäminen

Laite on varustettu 4 tukijalalla. Tukijalkoja voidaan säätää, jos laite ei ole vakaa.

- Käännä tukijalkoja tarpeen mukaan, jotta laite on vakaasti lattialla.
- Lukitse tukijalat kiristämällä lukkomutterit.

ILMOITUS

- Laite on vakain, kun kaikki tukijalat on kierretty täysin sisään. Tämän vuoksi, aloita laitteen säätäminen vaakasuoraan kiertämällä kaikki tukijalat ensin täysin sisään, ennen kuin kierrät tarvittavia jalkoja ulospäin laitteen saamiseksi vakaaksi.

Ohjauspaneeli (kuva. E-1)

VAROITUS

- Pidä ohjauspaneeli pois suorasta auringonvalosta.
- Kuivaa ohjauspaneelin pinta, jos siihen on tippunut hikeä.
- Älä nojaa ohjauspaneeliin.
- Kosketa näyttöä vain sormenpäälläsi. Älä kosketa näyttöä kynsilläsi tai terävillä esineillä.

ILMOITUS

- Ohjauspaneeli siirtyy valmiustilaan, kun laitetta ei ole käytetty 4 minuuttiin.

Painikkeet

Enter/ Start

- Urheilutilan vahvistus
- Vaihtoehdon vahvistus käyttäjä-/asetustilassa
- Treenattavan kohdan vahvistaminen asetusnäytöltä
- Asetusarvon vahvistaminen.
- Päänäytön vaihtaminen bpm:n / kulmaprofiilin välillä
- Päänäytön vaihtaminen videon / profiiliin välillä T-Roadin aikana

Back/ Stop

- Palaa edelliseen ruutuun
- Lopeta käynnissä oleva harjoitus

Käyttäjät / + (skaalaus ylöspäin)

- Avaa Käyttäjän asetus.
- Lisää intensiteettiä harjoittelutilassa. Paina kerran lisätäksesi 1 %:lla
Lisää intensiteettiä nopeammin painamalla ja pitämällä pohjassa.

HUOMAUTUS

- Profiiliin muotoa ei voi muuttaa, joten korkein ennalta ohjelmoitu intensiteetti on skaalausraja.

Valitse / - (skaalaus alaspäin)

- Katkaisimen LED-näyttö.
- Vähennä intensiteettiä harjoittelutilassa. Paina kerran vähentääksesi 1 %:lla
Vähennä intensiteettiä nopeammin painamalla ja pitämällä pohjassa.

HUOMAUTUS

- Profiiliin muotoa ei voi muuttaa, joten pienin ennalta ohjelmoitu intensiteetti on skaalausraja.

Speed +

- Lisää nopeutta (0,5–16,0 km/h).
- Yksi painallus lisää nopeutta 0,1 km/h.
- Painamalla ja pitämällä pohjassa kahden sekunnin ajan voi kasvattaa nopeutta nopeammin.
- Selaa ohjelmia ja muuta arvoja ohjelmointitilassa.

Speed -

- Vähentää nopeutta (0,5–16,0 km/h).
- Yksi painallus vähentää nopeutta 0,1 km/h.
- Painamalla ja pitämällä pohjassa kahden sekunnin ajan voi pienentää nopeutta nopeammin.
- Selaa ohjelmia ja muuta arvoja ohjelmointitilassa.

Nopeudensäätöpainikkeet:

Nopeudensäätöpainikkeiden arvoiksi on määritetty 6, 19 ja 12. (metrijärjestelmän mukaan 3,7/ 5,6/ 7,5)
Nopeus esimerkiksi muuttuu mistä tahansa nopeudesta arvoon 9 km/h, kun nopeudensäätöpainiketta 9 painetaan.

Kahvojen nopeuden pikasäätönäppäimet:

- + Sama kuin Speed +.
- Sama kuin Speed -.

Kulman ohjaus +

- Suurentaa kulmaa (0 ~ 15 +1).
- Selaa ohjelmia ja muuta arvoja ohjelmointitilassa.

Kulman ohjaus -

- Pienentää kulmaa (0 ~ 15 -1)
- Selaa ohjelmia ja muuta arvoja ohjelmointitilassa.

Nopeudensäätöpainikkeet.

Kulmansäätöpainikkeiden arvoiksi on määritetty 0, 5 ja 10. Kulma esimerkiksi muuttuu mistä tahansa kulmasta arvoon 5, kun kulmansäätöpainiketta 5 painetaan.

Kahvojen kulman pikasäätönäppäimet:

- + : Sama kuin Incline +.
- : Sama kuin Incline -.

Näytön kohtien selitykset (kuva H)

Nopeus

- Näyttää juoksumaton tämänhetkisen nopeuden harjoittelutilassa.

Kulma

- Näyttää juoksumaton tämänhetkisen kulman harjoittelutilassa.

Matka

- Näyttää juostun matkan harjoittelutilassa.
- Näyttää jäljellä olevan matkan laskurutilassa.

Aika

- Näyttää tähänastisen juoksuajan harjoittelutilassa.
- Näyttää jäljellä olevan ajan laskurutilassa.

Askel

- Näyttää harjoituksen aikana kävelemäsi/juoksemasi askelmäärän.

Syke

- Näyttää sykkeen harjoittelutilassa tai kirjaimen "P", silloin kun sykettä ei mitata.

Kalorit/Energia

- Näyttää kulutetut kilokalorit harjoittelutilassa.
- Näyttää jäljellä olevat kilokalorit laskuritulassa.

HUOMAUTUS

- Nämä tiedot muodostavat suurpiirteisen oppaan eri harjoitusjaksojen vertailuun. Niitä ei voi käyttää lääketieteellisessä hoidossa.

HUOMAUTUS

- Ajan/askelten, sykkeen/kulman ja kalorien/matkan LED-näyttö päivittyy 5 sekunnin välein.

Yleisen profiilin näyttö

- Alarivi vasemmalta oikealle näyttää ajan minuutteina väliltä 0~30. Se päivittyy 15 minuutin välein harjoituksen aikana
- Vasen sivupalkki ylhäältä alas näyttää kulman tai bpm-arvon harjoituksen aikana, vaihda kulman/bpm:n välillä painamalla "Enter/Start"-painiketta (kulma näkyy sinisenä / bpm punaisena)
- Oikea sivupalkki ylhäältä alas näyttää nopeuden arvon.
- Valkoinen pisteiviiva näyttää tämänhetkisen sijainnin, joka liikkuu oikealle harjoituksen keston kasvaessa. Haarjoittelunäytön pitäisi näyttää enintään 5 tunnin tiedot.
- Oranssi käyrä näyttää käyttäjän senhetkisen sykkeen, joka vaihtelee sydämen lyöntitiheyden kasvaessa ja laskiessa.

USB-toiminto

USB-porttia voidaan käyttää vain huoltotarkoituksiin, kuten ohjelmistopäivityksen tekemiseen USB-asetuksen välityksellä.

HUOMAUTUS

- Jos harjoittelu sujuu hyvin eikä ole syytä epäillä ohjelmiston toimivuutta, suosittelemme, ettei ohjelmistoa vaihdeta, paitsi jos saatavilla on uusia ominaisuuksia.
- Ota ennen ohjelmiston päivittämistä aina yhteyttä huoltokeskukseen saadaksesi oikean ja tuoreimman ohjelmistopäivitystiedoston.

Ohjelmat-valikko

Pika-aloitus

- Liiku päävalikossa painikkeilla "Speed & Incline + / -" ja valitse "Pika-aloitus".
- Vahvista "Enter/Start"-painikkeella ja käynnistä 3 sekunnin laskenta taaksepäin aktivoitaksesi pika-aloitustilan.
- Harjoittelija aloittaa miniminopeudella ilman muita asetuksia.

Harjoitustilan aikana

- Käytä "Nopeuden säätö" -painikkeita nopeusasetuksen säätämiseen tarpeidesi mukaisesti milloin tahansa.
- Käytä kulmansäätöpainikkeita kulma-asetuksen säätämiseen tarpeidesi mukaisesti milloin tahansa.

Harjoituksesi keskeyttäminen/lopettaminen

Voit keskeyttää aktiivisen harjoittelusi milloin tahansa "Back/Stop"-painiketta painamalla. Kuntolaite siirtyy taukotilaan, missä näytölle tulee kolme vaihtoehtoa. Valitse haluamasi vaihtoehto "Speed & Incline + / -" -painikkeilla.

Jatka:

Palaa harjoitukseesi valitsemalla "Jatka", niin näyttö aloittaa 3 sekunnin laskun alaspäin ennen keskeytetyn harjoituksen palauttamista.

Lopeta:

Lopeta harjoitus valitsemalla "Lopeta", ja näytölle tulevat "Viime istunnon" tiedot. Yhteenvedon näyttäminen harjoittelustasi.

Tallenna ja lopeta

Valitse "Tallenna ja lopeta", ja tallenna tiedosto "Omiin harjoituksiin"

- Näytölle avautuu tiedoston nimeämistila, ja "Tallenna ja lopeta" -painikkeen alaosaan tulee ponnahdusilmappalo.
- Avaa tekstinmuokkauvaihtoehto, jossa näkyy "A", painamalla "Enter/Start"-painiketta.
- Muuta sitä haluamallasi tavalla "Speed & Incline + / -" -painikkeiden avulla ja vahvista merkki "Enter/Start"-painikkeella, joka avaa seuraavan merkin.
- Täytä tiedostonimesi toistamalla tämä menettely.
- Kun olet täyttänyt tiedostonimesi, valitse "✓", niin näytölle tulevat "Viime istunnon" tiedot. Yhteenvedon näyttäminen harjoittelustasi.

HUOMAUTUS

- Harjoittelutietojen tallentamiseksi tarvitaan 10 minuutin tai 3 km:n harjoitusprofiilitiedot.
- Harjoittelutietoja ei voi tallentaa kuntotesti- tai T-Road-tilassa.

Tavoitesyke

- Liiku päävalikossa "Speed & Incline + / -" -painikkeilla ja valitse "Tavoitesyke"
- Vahvista painamalla "Enter/Start"-painiketta ja siirry asetusnäyttöön.

Tavoitesykkeen ohjelmointinäyttö

Näytöllä näkyy "tavoitesykealue 80 - 220 bpm"

- Määritä haluamasi tavoitesyke "Speed & Incline + / -" -painikkeilla ja vahvista "Enter/Start"-painikkeella.
- Parametria vaihdettaessa prosenttiosuus maksimisykkeestä päivittää automaattisesti valitun käyttäjäasetuksen prosenttiosuuden maksimisykkeestä iän mukaan.

Harjoituksen tavoitekeston ohjelmointinäyttö

- Valitse energia-, kesto- tai matkatavoite "Speed & Incline + / -" -painikkeilla ja vahvista "Enter/Start"-painikkeella.
 - Määritä haluamasi kestotavoite "Speed & Incline + / -" -painikkeilla ja vahvista "Enter/Start"-painikkeella.
- | | | |
|---------------------|-----------------------|--------|
| Energia: | Tavoitealue 50 ~ 2000 | Oletus |
| 200 ± 50. | | |
| Time (Aika): | Tavoitealue 10 ~ 180 | Oletus |
| 200 ± 30. | | |
| Matka: Alue 3 ~ 100 | Oletus 10 | ± 1. |
- Vahvista "Enter/Start"-painikkeella ja käynnistä 3 sekunnin laskenta taaksepäin aktivoitaksesi "tavoitesyketilan".

"Tavoitesyke"-ohjelmalla ohjataan sykkeen mukaan.

Harjoittelun intensiivisyyttä säädetään automaattisesti käyttäjien sykkeen ja valmiin tavoitesykkeen mukaan.

Jos käyttäjän syke jää alle tavoitteen, intensiteettiä lisätään.

Jos käyttäjän syke ylittää tavoitteen, intensiteettiä vähennetään.

Harjoitustilan aikana

- Käytä "Nopeuden säätö" -painikkeita nopeusasetuksen säätämiseen tarpeidesi mukaisesti milloin tahansa.
- Käytä kulmansäätöpainikkeita kulma-asetuksen säätämiseen tarpeidesi mukaisesti milloin tahansa.

HUOMAUTUS

- Kun intensiteettiä säädetään manuaalisesti, konsoli piippaa käyttäen niin kuin sen pitäisikin tavoitesykeasetusten pohjalta.
- Näytölle tulee viesti "No Heart Rate" (Ei sykettä), jos käyttäjän sykettä ei havaita harjoituksen aikana.

Katso ohjeet "harjoituksen keskeyttämiseen/lopettamiseen" tämän käyttöoppaan ensimmäisestä kohdasta.

Manuaaliohjelma

- Liiku päävalikossa "Speed & Incline + / -" -painikkeilla ja valitse "manuaaliohjelmae"
- Vahvista painamalla "Enter/Start"-painiketta ja siirry asetusnäyttöön.

Harjoituksen tavoitekeston ohjelmointinäyttö

- Valitse energia-, kesto- tai matkatavoite "Speed & Incline + / -" -painikkeilla ja vahvista "Enter/Start"-painikkeella.
 - Määritä haluamasi kestotavoite "Speed & Incline + / -" -painikkeilla ja vahvista "Enter/Start"-painikkeella.
- | | | |
|---------------------|-----------------------|--------|
| Energia: | Tavoitealue 50 ~ 2000 | Oletus |
| 200 ± 50. | | |
| Time (Aika): | Tavoitealue 10 ~ 180 | Oletus |
| 200 ± 30. | | |
| Matka: Alue 3 ~ 100 | Oletus 10 | ± 1. |
- Vahvista "Enter/Start"-painikkeella ja käynnistä 3 sekunnin laskenta taaksepäin aktivoidaksesi "manuaalisen" tilan.

Kaikki valmiit profiiliohjelmat säätelevät intensiteettiä automaattisesti.

Harjoitustilan aikana

- Käytä "Nopeuden säätö" -painikkeita nopeusasetuksen säätämiseen tarpeidesi mukaisesti milloin tahansa.
- Käytä kulmansäätöpainikkeita kulma-asetuksen säätämiseen tarpeidesi mukaisesti milloin tahansa.

Katso ohjeet "harjoituksen keskeyttämiseen/lopettamiseen" tämän käyttöoppaan ensimmäisestä kohdasta.

Valmisohjelmat

Liiku päävalikossa "Speed & Incline + / -" -painikkeilla ja valitse "Valmisohjelmat"

- Vahvista painamalla "Enter/Start"-painiketta ja siirry ohjelman valintanäyttöön.
 - Käytä "Speed & Incline + / -" -painikkeita "valmisohjelman" valitsemiseen
- Profiileista viisi on nopeusohjattu
Graafisen profiilin esikatselu näkyy vihreänä.
Profiileista viisi on kulmeohjattu
Graafisen profiilin esikatselu näkyy sinisenä.
Vahvista painamalla "Enter/Start"-painiketta ja siirry asetusnäyttöön.

Harjoituksen tavoitekeston ohjelmointinäyttö

- Valitse energia-, kesto- tai matkatavoite "Speed & Incline + / -" -painikkeilla ja vahvista "Enter/Start"-painikkeella.
 - Määritä haluamasi kestotavoite "Speed & Incline + / -" -painikkeilla ja vahvista "Enter/Start"-painikkeella.
- | | | |
|---------------------|-----------------------|--------|
| Energia: | Tavoitealue 50 ~ 2000 | Oletus |
| 200 ± 50. | | |
| Time (Aika): | Tavoitealue 10 ~ 180 | Oletus |
| 200 ± 30. | | |
| Matka: Alue 3 ~ 100 | Oletus 10 | ± 1. |
- Vahvista "Enter/Start"-painikkeella ja käynnistä 3 sekunnin laskenta taaksepäin aktivoidaksesi valitun valmisohjelman profiilin.

Harjoitustilan aikana

- Käytä "Nopeuden säätö" -painikkeita nopeusasetuksen säätämiseen tarpeidesi mukaisesti milloin tahansa.
- Käytä kulmansäätöpainikkeita kulma-asetuksen säätämiseen tarpeidesi mukaisesti milloin tahansa.
- Skaalaa ohjelman profiilia kokonaisuutena ylöspäin käyttäen "Käyttäjä/ + (skaalaus ylöspäin)/ Valitse/ - (skaalaus alaspäin) -painiketta.

HUOMAUTUS

- Kun nopeutta säädetään manuaalisesti nopeuden säätöpainikkeita painelemalla nopeusohjatussa profiilissa, konsoli soveltaa muutosta ainoastaan aktiiviseen profiiliin osaan.
- Kun kulmaa säädetään manuaalisesti kulman säätöpainikkeita painelemalla kulmaohjatussa profiilissa, konsoli soveltaa muutosta ainoastaan aktiiviseen profiiliin osaan.
- Maksimi-/minimiskaalausvaihtoehto liittyy suurimpiin/pienimpiin profiiliin asetuksiin, koska skaalaus ei voi muuttaa profiilia.

Katso ohjeet "harjoituksen keskeyttämiseen/lopettamiseen" tämän käyttöoppaan ensimmäisestä kohdasta.

Omat harjoitukset

Liiku päävalikossa "Speed & Incline + / -" -painikkeilla ja valitse "Omat harjoitukset"

- Vahvista painamalla "Enter/Start"-painiketta ja siirry ohjelman valintanäyttöön.

HUOMAUTUS

- "Tallennettuja harjoituksia ei löytynyt" -teksti tulee näytölle, jos harjoituksia ei ole tallennettu.

- Käytä "Speed & Incline + / -" -painiketta tallennetun "oman harjoituksen" valitsemiseen, jolloin Mahdollisesti käytettävissä olevat nopeusohjatut profiilit tunnistetaan, kun: graafisen profiilin esikatselu näkyy vihreänä. Mahdollisesti käytettävissä olevat nopeusohjatut profiilit tunnistetaan, kun: Graafisen profiilin esikatselu näkyy sinisenä. Vahvista painamalla "Enter/Start"-painiketta ja siirry asetusnäyttöön.

Valitse "Speed & Incline + / -" -painikkeilla: "Toista", "Muokkaa" tai "Poista".

"Toista"

- Valitse "Toista": Vahvista "Enter/Start"-painikkeella ja käynnistä 3 sekunnin laskenta taaksepäin aktivoidaksesi valitun profiilin ohjelman.

"Muokkaa"

- Määritä haluamasi kestotavoite "Speed & Incline + / -" -painikkeilla ja vahvista "Enter/Start"-painikkeella.
- | | | |
|--------------|----------------------|--------|
| Time (Aika): | Tavoitealue 10 ~ 180 | Oletus |
| 200 ± 30. | | |
- Vahvista "Enter/Start"-painikkeella ja käynnistä 3 sekunnin laskenta taaksepäin aktivoidaksesi valitun ennalta määritellyn ohjelman profiilin.

"Delete" (Poista)

- Vahvista "Enter/Start"-painikkeella, niin valittu "Oma profiili" poistetaan ilman ylimääräistä varoitusta.

Harjoitustilan aikana

- Käytä "Nopeuden säätö" -painikkeita nopeusasetuksen säätämiseen tarpeidesi mukaisesti milloin tahansa.
- Käytä kulmansäätöpainikkeita kulma-asetuksen säätämiseen tarpeidesi mukaisesti milloin tahansa.
- Skaalaa ohjelman profiilia kokonaisuutena ylöspäin käyttäen "Käyttäjä/ + (skaalaus ylöspäin)/ Valitse/ - (skaalaus alaspäin) -painiketta.

HUOMAUTUS

- Kun nopeutta säädetään manuaalisesti nopeuden säätöpainikkeita painelemalla nopeusohjatussa profiilissa, konsoli soveltaa muutosta ainoastaan aktiiviseen profiiliin osaan.
- Kun kulmaa säädetään manuaalisesti kulman säätöpainikkeita painelemalla kulmaohjatussa profiilissa, konsoli soveltaa muutosta ainoastaan aktiiviseen profiiliin osaan.
- Maksimi-/minimiskaalausvaihtoehto liittyy suurimpiin/pienimpiin profiiliin asetuksiin, koska skaalaus ei voi muuttaa profiilia.

Katso ohjeet "harjoituksen keskeyttämiseen/lopettamiseen" tämän käyttöoppaan ensimmäisestä kohdasta.

Kuntotesti

Liiku päävalikossa "Speed & Incline + / -" -painikkeilla ja valitse "Kuntotesti".

- Vahvasta painamalla "Enter/Start"-painiketta ja siirry ohjelman valintanäyttöön.

HUOMAUTUS

- Kuntotestin aloittamiseksi on valittava käyttäjä. Jos käyttäjää ei ole valittu, tästä ilmoitetaan konsolissa.
 - Kuntotestin tulokset tallennetaan "Käyttäjän loki" -tiedostoon.
- Vahvasta "Enter/Start"-painikkeella ja käynnistä 3 sekunnin laskenta alaspäin aloittaaksesi "kuntotestin"

Harjoitustilan aikana

- Kuntotestin suorittaaksesi sinun on juostava 12 minuutin ajan.
- Näiden 12 minuutin aikana sinä säädät nopeutta nopeuden säätöpainikkeilla viedäksesi itsesi ääriarajoille, koska mitä pidemmän matkan juokset, sitä paremmat pisteet saat.
- Sykkeen mittausta tarvitaan kuntotestin tulosten laskemiseen.

"Kuntotestin" lopettaminen

- Testi päättyy automaattisesti 12 minuutin kuluttua, ja näytölle tulevat "Viime istunnon" tiedot. Yhteenvedon näyttäminen harjoittelustasi.
- Kuntotestikohtaiset tulokset tallennetaan "Käyttäjän loki" -tiedostoon.

HUOMAUTUS

- Jos testi keskeytetään ennen 12 minuutin päähän sijoitettua päättymisaikaa, se epäonnistuu.
- Näytölle tulee käyttäjälle kysymys, eikö sykkeen signaalia ole havaittavissa.

T-Road

Liiku päävalikossa "Speed & Incline + / -" -painikkeilla ja valitse "T-Road".

- Vahvasta painamalla "Enter/Start"-painiketta ja siirry ohjelman valintanäyttöön.
- Valitse yksi kolmesta käytettävissä olevasta T-Road-profiilista "Speed & Incline + / -" -painikkeilla.
- Vahvasta "Enter/Start"-painikkeella ja käynnistä 3 sekunnin laskenta alaspäin aloittaaksesi valitun "T-Road"-profiilin.

Harjoitustilan aikana

- T-Road-profiileja käytettäessä tavoitekesto on kiinteä ja perustuu valitun profiilin harjoitusmatkaan.
- Kulma-asetusten käyttäytyminen perustuu valittuun profiiliin, joten kulma-asetusta voi säätää, mutta se korjataan automaattisesti lähes välittömästi.
- Käytä "Nopeuden säätö" -painikkeita nopeusasetuksen säätämiseen tarpeidesi mukaisesti milloin tahansa.
- Vaihda elokuvan ja profiilin näytön välillä "Enter/Start"-painikkeella. Elokuvan näyttö: Näyttää vaikuttavan radan, jossa elokuvan nopeus on suhteessa juoksunopeuteen ja ympäristön kallistus suhteessa juoksumaton kulma-asetukseen. Profiilin näyttö: Näyttää nykyisen profiilin parametreina.

Katso ohjeet "harjoituksen keskeyttämiseen/lopettamiseen" tämän käyttöoppaan ensimmäisestä kohdasta.

Bluetooth-tila

HUOMAUTUS

- Tämä konsoli voi muodostaa yhteyden älylaitteella olevaan sovellukseen Bluetoothin välityksellä (iOS ja Android).
- Muodosta Bluetooth-yhteys aina ainoastaan älylaitteeseesi asennetun sovelluksen yhteystilan avulla.

Liiku päävalikossa "Speed & Incline + / -" -painikkeilla ja valitse "Bluetooth-tila".

- Vahvasta painamalla "Enter/Start"-painiketta, mene ohjelmanvalintanäyttöön ja kytke BT-moduuli päälle. BT-osoite tulee näytölle.
- Poistu BT-yhteystilasta painamalla Start/Stop-painiketta ja kytke BT-moduuli jälleen pois päältä, jos laiteparia ei ole muodostettu.

HUOMAUTUS

- Tunturi tarjoaa mahdollisuuden kuntoilukonsolin yhdistämiseen ainoastaan Bluetooth-yhteyden avulla. Siksi Tunturia ei voida pitää vastuullisena vahingoista tai tuotteiden virheellisestä toiminnasta muiden kuin Tunturi-tuotteiden osalta.
- Katso lisätietoja verkkosivuiltamme osoitteesta www.tunturi.com

Käyttäjä

Siirry "Käyttäjä" -valikkoon painamalla "Käyttäjä / + (skaalaus ylöspäin)" -painiketta.

- Valitse yksi kuudesta käytettävissä olevasta käyttäjän alivalikosta "Speed & Incline + / -" -painikkeilla.
- Vahvasta painamalla "Enter/Start"-painiketta ja siirry valittuun alivalikkoon.

Käyttäjän loki

Käyttäjän loki avautuu näyttämällä "viimeisimmän istunnon" harjoittelutiedot.

- Paina "Enter/Start"-painiketta nähdäksesi henkilökohtaisten käyttäjätietojesi kokonaismäärät.
- Poistu "Käyttäjän loki" -valikosta painamalla "Enter/Start"-painiketta.

Käyttäjän asetukset

"Käyttäjän asetukset" -valikossa voit määrittää omat asetukset ja nähdä arvokkaita tietoja. :

- "Kontrastin" säätäminen: Valoisuus (oletus = 50 %)
- Näytä "Kokonaismatka": Koneella ajettu kokonaismatka.
- Näytä "Kokonaisaika": Koneella ajettu kokonaisaika.
- Näytä "Nykyinen versio": Nykyinen asennettu ohjelmisto.
- Säädä "ohjelmistopäivitystä": Ohjelmistopäivitystila. Kyllä: Ohjelmiston voi päivittää USB-johdon välityksellä. Ei: Ohjelmistoa ei voi päivittää USB-johdon välityksellä.
- "Kielen" säätäminen: Lipulla merkitty kieliäetus.
- Säädä "äänenvoimakkuutta": Painikkeen piippauksen asetus. Päällä (kyllä) tai pois (ei). Joitakin ääni-ilmoituksia ei voi poistaa käytöstä.

Asetuksen säätäminen

- Valitse yksi valikon säädettävistä parametreista "Speed & Incline + / -" -painikkeilla.
 - Vahvasta painamalla "Enter/Start"-painiketta ja siirry muokkaustilaan.
 - Säädä parametria "Speed & Incline + / -" -painikkeilla.
 - Vahvasta painamalla "Enter/Start"-painiketta.
- Poistu "Käyttäjän asetukset" -valikosta painamalla "Back/Stop"-painiketta.

Käyttäjän asetukset

"Käyttäjän asetukset" -valikossa voit muuttaa käyttäjän asetusten parametreja, jos ne eivät ole (enää) oikein. Katso "Luo käyttäjä" -kohdasta ohjeet säätämiseen ja tallenna käyttäjän asetusten parametrit.

- Poistu "Käyttäjän asetukset" -valikosta painamalla "Back/Stop" -painiketta.

Poista käyttäjä

"Käyttäjän asetukset" -valikossa voit poistaa käyttäjän tallennetuista käyttäjän asetusten parametreista ja kaikista aloitustiedoista.

- Valitse poistettava käyttäjä "Speed & Incline + / -" -painikkeilla.
- Vahvista "Enter/Start" -painikkeella, niin valittu "Oma profiili" poistetaan ilman ylimääräistä varoitusta.
- Poistu "Käyttäjän asetukset" -valikosta painamalla "Back/Stop" -painiketta.

Vaihda käyttäjä

"Vaihda käyttäjä" -valikossa voit vaihtaa käyttäjäkirjastossa olevien käyttäjien välillä.

- Valitse haluamasi käyttäjä "Speed & Incline + / -" -painikkeilla.
- Vahvista näytettävä käyttäjä painamalla "Enter/Start" -painiketta.
- Paina "Back/Stop" -painiketta
- Poistu "Käyttäjän asetukset" -valikosta painamalla "Back/Stop" -painiketta.

Luo käyttäjä

Siirry "Luo käyttäjä" -valikkoon painamalla "Käyttäjä / + (skaalaus ylöspäin)" -painiketta.

- Valitse yksi yhdeksästä käytettävissä olevasta käyttäjätietoparametristi haluamasi käyttäjä "Speed & Incline + / -" -painikkeilla.
- Vahvista painamalla "Enter/Start" -painiketta ja syötä valittu käyttäjäparametrin säätöikkunaan.

Käyttäjän nimi:

- Avaa tekstinmuokkauvaihtoehto, jossa näkyy "A", painamalla "Enter/Start" -painiketta.
- Muuta sitä haluamallasi tavalla "Speed & Incline + / -" -painikkeiden avulla ja vahvista merkki "Enter/Start" -painikkeella, joka avaa seuraavan merkin.
- Täytä tiedostonimesi toistamalla tämä menettely.
- Kun olet täyttänyt tiedostonimesi, valitse "✓", niin näyttö tallentaa tiedostonimen ja palaa "Luo käyttäjä" -valikkoon.

Yksiköt, näyttö

- Valitse tarvittavat yksikköasetukset "Speed & Incline + / -" -painikkeilla.

	Nopeus	Matka	Korkeus	Paino
Metriäinen	km/h	km	cm	kg
Englantilainen	mph	maili	jalka/ tuuma	pauna

- Vahvista asetukseksi "Enter/Start" -painikkeella ja palaa "Create User" -valikkoon.

Näyttö

- Valitse tarvittava näyttöasetus "Speed & Incline + / -" -painikkeilla. Kasvat arvo: ennalta asetettu aika/matka kasvaa Laskevat arvo: ennalta asetettu aika/matka laskee.
- Vahvista asetukseksi "Enter/Start" -painikkeella ja palaa "Create User" -valikkoon.

Sukupuoli

- Valitse tarvittava sukupuolen asetus "Speed & Incline + / -" -painikkeilla.
- Vahvista asetukseksi "Enter/Start" -painikkeella ja palaa "Create User" -valikkoon.

Ikä

- Säädä iän asetuksia "Speed & Incline + / -" -painikkeilla. Arvoväli: 10 ~ 99 ± 1
- Vahvista asetukseksi "Enter/Start" -painikkeella ja palaa "Create User" -valikkoon.

Korkeus

- Säädä korkeuden asetuksia "Speed & Incline + / -" -painikkeilla. Arvoväli: Metrinen 110 ~ 210 ± 1 / Englantilainen: 3'7 ~ 6'10 ± 0'1
- Vahvista asetukseksi "Enter/Start" -painikkeella ja palaa "Create User" -valikkoon.

Paino

- Säädä painon asetuksia "Speed & Incline + / -" -painikkeilla. Metrinen: 30 ~ 150 ± 1 / Englantilainen: 66 ~ 330 ± 1
- Vahvista asetukseksi "Enter/Start" -painikkeella ja palaa "Create User" -valikkoon.

Maksimisyke (HR)

Maksimisyke-parametri on automaattisesti laskettu arvo, joka perustuu ikä- ja sukupuoliasetuksiisi. Halutessasi voit kuitenkin asettaa myös henkilökohtaisen rajan.

Mies: 220 - ikä on maksimisyke

Nainen: 226 - ikä on maksimisyke.

- Säädä maksimisykkeen asetuksia "Speed & Incline + / -" -painikkeilla. Arvoväli: 80 ~ 220 ± 1
- Vahvista asetukseksi "Enter/Start" -painikkeella ja palaa "Create User" -valikkoon.

Maksiminopeus

- Säädä korkeuden asetuksia "Speed & Incline + / -" -painikkeilla. Metrinen: 0,5 ~ 16,0 ± 0,1 / Englantilainen: 0,3 ~ 10,0 ± 0,1
- Vahvista asetukseksi "Enter/Start" -painikkeella ja palaa "Create User" -valikkoon.

HUOMAUTUS

- Asetettua maksiminopeutta käytetään juoksumaton maksiminopeutena sekä manuaalisen että ohjelmaprofiilin tiloissa.

Takuu

Takuuehdot

Kuluttajalla on sovellettavan kulutustavaroiden kauppaa koskevan kansallisen lainsäädännön mukaiset lailliset oikeudet, eikä takuulla rajoiteta näitä oikeuksia. Omistajan Takuu on voimassa vain, mikäli laitetta käytetään Tunturi New Fitness BV:n kyseiselle laitteelle sallimassa käyttöympäristössä. Kunkin laitteen sallittu käyttöympäristö mainitaan laitteen käyttöohjeessa.

Takuuehdot

Takuuehdot tulevat voimaan tuotteen ostopäivästä lukien. Takuuehdot voivat olla erilaiset eri maissa, joten pyydä takuuehdot paikalliselta jälleenmyyjältä.

Takuun kattavuus

Missään olosuhteissa Tunturi New Fitness BV tai Tunturi-jälleenmyyjä ei vastaa ostajalle mahdollisesti aiheutuvista välillisistä vahingoista, kuten käyttöhyödyn tai tulojen menetyksestä taikka muista taloudellisista seurausvahingoista.

Takuun rajoitukset

Takuu kattaa työstä ja materiaalista johtuvat virheet kuntolaitteessa, joka on alkuperäisessä kokoonpanossaan.

Takuu koskee vain virheitä, jotka ilmenevät normaalissa ja laitteen mukana tulleen ohjekirjan mukaisessa käytössä edellyttäen, että Tunturin asennus-, huolto- ja käyttöohjeita on noudatettu. Tunturi New Fitness BV:n ja Tunturin jälleenmyyjät eivät vastaa virheistä, jotka aiheutuvat heidän vaikutusmahdollisuuksiensa ulkopuolella olevista seikoista. Takuu on voimassa vain niissä maissa, joissa Tunturi New Fitness BV:llä on valtuutettu maahantuoja. Takuu ei koske sellaisia kuntolaitteita tai osia, joita on muutettu ilman Tunturi New Fitness BV:n suostumusta. Takuu ei koske virheitä, jotka johtuvat luonnollisesta kulumisesta, virheellisestä käytöstä, käytöstä olosuhteissa, joihin kuntolaitetta ei ole tarkoitettu, korroosiosta tai laustaus- tai kuljetusvahingoista.

Takuu ei koske käyttöäniä, jotka eivät olennaisesti haittaa laitteen käyttöä eivätkä johdu laitteesta olevasta virheestä.

Takuu ei myöskään sisällä kunnossapitotoimenpiteitä, kuten puhdistusta, voitelua tai sen osien normaalia tarkistamista, eikä sellaisia asennustoimenpiteitä, jotka asiakas voi suorittaa itse ja jotka eivät edellytä erityistä kuntolaitteen purkamista / kokeamista. Tällaisia toimenpiteitä ovat esim. mittareiden, polkimien tai muiden vastaavien yksinkertaisten osien vaihdot. Muun kuin valtuutetun Tunturi-edustajan suorittamia takuukorjauksia ei korvata. Laitteen käyttöohjeen noudattamatta jättäminen aiheuttaa takuun raukeamisen.

Puhdistus ja huolto

⚠ VAROITUS

- Poista pistoke pistorasiasta ennen puhdistusta ja huoltoa.
- Älä käytä liuottimia laitteen puhdistukseen.

- Älä peitä tuuletusaukkoja. Pidä tuuletusaukot puhtaana pölystä, liasta ja muista esteistä.
- Puhdista laite pehmeällä, imukykyisellä kankaalla jokaisen käytön jälkeen.
- Puhdista laitteen näkyvät osat pölynimurilla käyttäen pientä imupäätä.
- Tarkista säännöllisesti kaikkien ruuvien ja mutterien olevan tiukasti kiinni.

Matto ja juoksualusta

Juoksumatossa on hyvin tehokas ja alhaisen kitkan omaava juoksualue. Suoritukset voidaan maksimoida pitämällä juoksualusta niin puhtaana kuin mahdollista. Pyyhi pehmeällä, kevyesti kostutetulla liinalla tai paperipyyhkeellä maton reunat sekä maton reunojen ja rungon välinen alue. Puhdista mahdollisuuksien mukaan myös maton reunojen alta. Tämä pitäisi tehdä kerran kuussa maton ja juoksualustan käyttöänsä pidentämiseksi. Käytä pelkkää vettä. Älä käytä puhdistus- tai hankausaineita. Strukturoidun maton yläpuolen voi puhdistaa miedolla saippuavedellä ja nailonharjalla. Anna maton kuivua ennen käyttöä.

Voitelu (kuva F-4)

Juoksumatto on tarkistettava voitelua varten 2 kuukauden välein, perustuen keskimääräiseen 60 minuutin päivittäiseen käyttöön.

⚠ VAROITUS

- Poista virtajohdon pistoke pistorasiasta ennen voitelua.

⚠ HUOMAUTUS

- Suosittelemme tarkistamaan juoksumaton voitelun vähintään kerran kuukaudessa, sillä muutkin tekijät kuin aika voivat vaikuttaa voiteluolosuhteisiin.
- Voitele juoksumatto vain tarvittaessa. Jos laitat liikaa voiteluainetta, juoksumatto lipsuu herkästi kitkan puuttumisesta johtuen.

- Seiso vakaasti juoksumatolla.
- Pidä kiinni etukäsituesta ja työnnä juoksumattoa jaloillasi niin, että se liukuu edestakaisin. Juoksumaton on liikuttava pehmeästi ja tasaisesti ääntä pitämättä.
- Jos juoksumatto ei liiku pehmeästi ja tasaisesti tai, jos juoksumatto ei liiku ollenkaan, kosketa juoksumaton alapuolta sormenpäilläsi voitelun tarkistamiseksi:
 - Jos tunnet voiteluaineen tai sormesi ovat kiiltävät, juoksumatossa on riittävästi voiteluainetta.
 - Jos et tunne voiteluainetta, tai sormenpäsi ovat pölyiset tai ne tuntuvat karkeilta, laita voiteluainetta (15-20 ml) keskelle juoksumattoa juoksumaton alle ja anna laitteen käydä 5 km/h nopeudella vähintään 5 minuuttia.
 - Älä kokoonnaita laitetta voitelun jälkeen ennen kuin olet suorittanut 20 minuutin harjoituksen vähintään 5 km/h nopeudella. Voiteluaine leviää tasaisesti yli koko juoksumaton.

Matolle kertyvä pöly

Pölyä esiintyy tavanomaisen käyttöönotton aikana tai siihen asti kun matto vakautuu. Pyyhi mattoon mahdollisesti kerääntyvä pöly pois kevyesti kostutetulla liinalla.

Peruspuhdistus

Lika, pöly ja lemmikkieläinten karvat voivat tukkia laitteen ilma-aukot ja kerääntyä mattoon. Estä epäpuhtauksien kerääntyminen imuroimalla kuukausittain kuntolaitteen alta. Kaksi kertaa vuodessa sinun pitäisi irrottaa moottorin musta suojuus ja imuroida sen alle kerääntynyt pöly.

IRROTA ENSIN VERKKOJOHDON PISTOKE PISTORASIASTA

Maton säädöt:

Maton kireyden säätö - Kireys säädetään takatilasta. Säätöruuvit sijaitsevat reunalevyjen päätysuojuksissa mukaisesti.

Maton keskittäminen

- Takatelan ruuveja on kiristettävä (myötöpäivään) vain sen verran, että etutela ei enää luista. Kierrä kumpaakin kireydensäätöruuvia 1/4 kierroksen askelissa ja tarkista välillä maton kireys kävelemällä matolla alhaisessa nopeudessa, varmistaen että matto ei luista. Jatka säätöruuvien kiristämistä, kunnes matto ei enää luista.
- Jos matto tuntuu sinusta riittävän kireältä mutta se luistaa edelleen, ongelma voi johtua siitä, että etusuojuksen alla sijaitseva moottorin käyttöhihna on löysällä.
- Älä Kiristä Liikaa: Liiallinen kiristäminen voi vahingoittaa mattoa ja aiheuttaa laakerien ennenaikaisen vaurioitumisen.

Maton kulku ja keskitys:

Juoksumaton hyvä toiminta riippuu siitä, lepääkö runko riittävän tasaisella alustalla. Jos runko ei ole aivan vaakasuorassa, etu- ja takatela eivät pyöri tasaisesti, ja matto tarvitsee toistuvasti säätämistä.

Juoksumatto on suunniteltu siten, että matto pysyy riittävän keskellä käytön aikana. On aivan normaalia, että jotkut matot kulkeutuvat kohti toista laitaa, jos käynnissä olevassa laitteessa ei ole harjoittelijaa. Kun laitetta on käytetty muutama minuutti, maton kuuluu kuitenkin keskittyä itsestään. Jos matto siirtyy käytön aikana jatkuvasti toiseen laitaan, sitä on säädettävä.

POIKKEUS:

Kun juoksumattoa käytetään kuntoutukseen, ja kuntoutuja käyttää jompaakumpaa jalkaa toista jalkaa voimakkaammin, matto saattaa siirtyä toiseen laitaan. Tällaisessa tapauksessa mattoa ei pidä säätää. Sitä tulisi säätää vasta, jos matto ei tavallisessakaan harjoittelukäytössä keskity itsestään.

Maton keskityksen säätö: (kuva F-5)

Juoksumaton mukana on toimitettu 10 mm:n koloavain takatelan säätämistä varten. Keskitystä säädetään vain telan vasemmassa reunassa olevasta ruuvista. Aseta maton nopeudeksi n. 3–5 km/h.

Muista, että pienelläkin säädöllä voi olla suuri vaikutus!

Kierrä ruuvia myötäpäivään, jos haluat siirtää mattoa oikealle. Vastapäivään kiertämällä saat maton siirtymään vasemmalle. Kierrä ruuvia vain 1/4 kierrosta ja odota muutama minuutti, että matto ehtii mukautua säätöön. Jatka ruuvien kiertämistä 1/4 kierroksen askelissa, kunnes matto vakautuu juoksualueen keskelle.

Matto saattaa vaatia säännöllistä keskitystä laitteen käytöstä ja harjoittelijan kävely- tai juoksuavasta riippuen. Eri käyttäjillä on erilainen vaikutus maton kulkuun. On todennäköistä, että joudut jossakin vaiheessa säätämään maton keskitystä. Kun mattoa käytetään, säädöt tulevat tutuiksi ja niistä on vähemmän huolta. Maton keskittäminen on juoksumaton omistajan vastuulla kaikissa juoksumatoissa.

⚠ HUOM

- Maton vahingoittuminen huonosti toteutetun keskityksen tai kireyden säädön seurauksena ei kuulu takuun piiriin.

Käyttöhäiriöt

Jatkuvasta laaduntarkkailusta huolimatta laitteessa saattaa esiintyä yksittäisistä komponenteista johtuvia yksilövikoja tai toimintahäiriöitä. Koko laitteen toimittaminen korjattavaksi on yleensä tarpeetonta, sillä vika on useimmiten korjattavissa ko. osan vaihdolla.

Mikäli laitteen toiminnassa ilmenee häiriöitä käytön aikana, ota välittömästi yhteys laitteen myyjään. Ilmoita laitteesi malli ja sarjanumero (sarjanumerotarran sijainnin näet tämän käyttöohjeen etukannen sisäpuolelta). Ilmoita lisäksi häiriön luonne, laitteen käyttöympäristö sekä ostopäivämäärä.

Mikäli tarvitset laitteeseesi varaosia, ota yhteys laitteen myyjään. Ilmoita aina laitteen malli, sarjanumero sekä tarvittavan osan varaosanumero. Varaosaluettelon löydät tämän oppaan lopusta. Laitteessa saa käyttää vain varaosalistassa mainittuja osia.

Virhekoodit

Jos näytöllä näkyy virhekoodi ("E" + numero), käynnistä laite uudelleen ja tarkista näkykö virhekoodi edelleen näytöllä. Jos virhekoodi näkyy edelleen näytöllä, ota välittömästi yhteys jälleenmyyjään.

Kuljetus ja säilytys

⚠ VAROITUS

- Poista pistoke pistorasiasta ennen puhdistusta ja huoltoa.
- Vähintään kahden henkilön on kannettava ja siirrettävä laitetta.
- Varmista, ettei muita henkilöitä tai esineitä ole laitteen alla.
- Kokoontaittaessasi laitetta varmista, että kuulet laitteen lukittuvan paikalleen estäen laitteen putoavan uudelleen alas.

⚠ HUOMAUTUS

- Varmista nousukulman olevan 0 % ennen laitteen kokoontaittoa. Jos nousukulma ei ole 0 %, kokoontaitto vaurioittaa mekanismia.

- Siirrä laite näytetyn mukaisesti (kuva F3). Siirtäkää laite ja laskekaa se varovasti alas. Asettakaa laite suojajalustalle lattiapinnan vaurioiden estämiseksi. Siirrä laitetta varovasti epätasaisilla pinnoilla. Älä siirrä laitetta yläkertaan pyöriä käyttäen. Suorita siirto kahvatuista kantaan.

- Säilytä laitetta pystyasennossa (kuva F1). Säilytä laitetta kuivassa, mahdollisimman tasalämpötilaisessa paikassa.

Lisätietoa laitteen omistajalle

Pakkauksen hävittäminen

Lainsäädäntö ohjeistaa meitä vähentämään kaatopaikoille toimitetun jätteen määrää. Sen vuoksi pyydämme sinua toimittamaan kaikki pakkauksijätteet sitä varten tarkoitettuun kierrätyspisteeseen.

Laitteen hävittäminen käyttöiän päätyttyä

Me Tunturilla toivomme, että iloitset kuntolaitteestasi vuosia. Jokainen kuntolaite tulee kuitenkin aikanaan oman käyttöikänsä loppuun. Kotitalouksien sähkö- ja elektroniikkalaiteromua käsittelevien eurooppalaisten määräysten (WEEE) mukaan sinun kuuluu toimittaa kuntolaitteesi sitä varten tarkoitettuun keräyspaikkaan.

Tekniset tiedot

Parametri	Mittayksikkö	Arvo
Sähkölähteen jännite	VAC	210 ~ 240
Sähkölähteen taajuus	HZ	50 ~ 60
Moottori	HP	2.5 5.5 Max.
Juoksumaton nopeus	Km/H	0.5 ~ 16.0
Juoksumaton nopeus	Mph	0.3 ~ 10.0
Nousukulma	Step	0 ~ 15
Pituus (taitettuna)	Cm	193.0 (137.0)
Pituus (taitettuna)	Inch	76.0 (53.9)
Leveys	Cm	82.5
Leveys	Inch	32.5
Korkeus (taitettuna)	Cm	149.0 (155.0)
Korkeus (taitettuna)	Inch	58.7 (61.0)
Paino	Kg	117.0
Paino	Lbs	257.9
Suurin sallittu käyttäjän paino	Kb	150
Suurin sallittu käyttäjän paino	Lbs	330
HR. receiver	Khz	5.3 Khz

Valmistajan vakuutus

Tunturi New Fitness BV vakuuttaa tuotteen täyttävän seuraavien standardien ja direktiivien vaatimukset: EN 957 (HA), 89/336/ETY. Tässä tuotteessa on sen vuoksi CE-merkki..

12-2019

Tunturi New Fitness BV
Purmerweg 1
1311 XE Almere
Alankomaat

Vastuuvapauslauseke

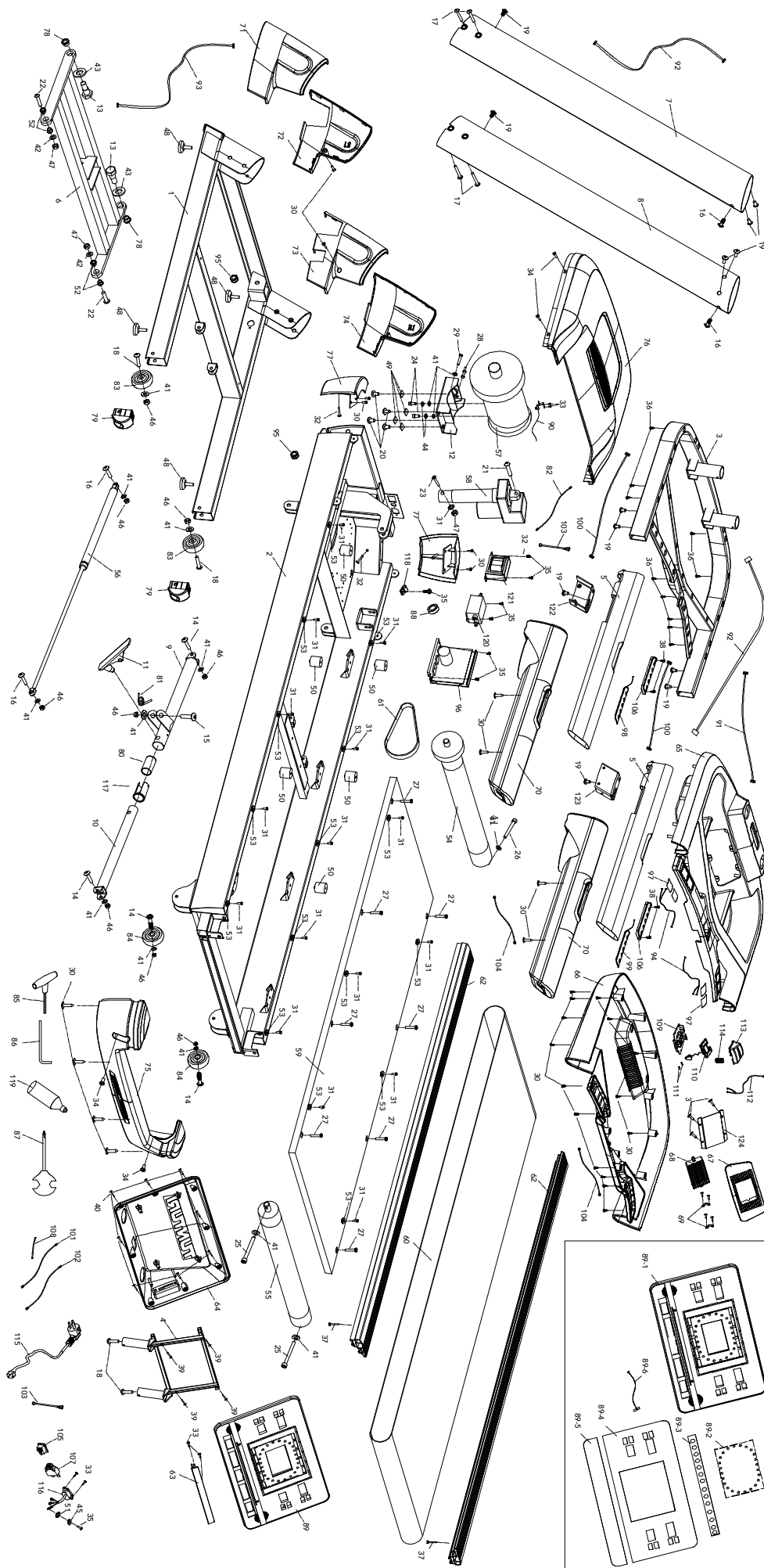
© 2019 Tunturi New Fitness BV
Kaikki oikeudet pidätetään.

Tuote ja käyttöopas saattavat muuttua. Teknisiä tietoja saatetaan muuttaa ilman eri ilmoitusta.
Katso käyttöohjeiden uusin versio verkkosivustoltamme.

No.	Description	Specs	Qty
1	Base Frame		1
2	Main Frame		1
3	Console Frame		1
4	Display Frame		1
5	Handle Bar Frame		2
6	Incline Frame		1
7	Upright Post (L)		1
8	Upright Post (R)		1
9	Outside Extension Tube		1
10	Inside Extension Tube		1
11	Side Landing Frame		1
12	Motor Installation Panel		1
13	Hex Half Thread Screw	M12*Ø14*35*19	2
14	Allen C.K.S Half Thread Screw	M8*40*20	4
15	Allen C.K.S Half Thread Screw	M8*45*20	1
16	Allen C.K.S Half Thread Screw	M8*30*20	4
17	Allen C.K.S Half Thread Screw	M8*60*20	4
18	Allen C.K.S Half Thread Screw	M8*50*20	4
19	Allen C.K.S Full Thread Screw	M8*15	8
20	Hex Full Thread Screw	M8*20	4
21	Allen C.K.S Full Thread Screw	M10*35*15	1
22	Allen C.K.S Full Thread Screw	M10*35*20	2
23	Allen C.K.S Full Thread Screw	M10*65*20	1
24	Allen Socket Full Thread Screw	M8*15	2
25	Allen Socket Full Thread Screw	M8*75	2
26	Allen Socket Full Thread Screw	M8*65	1
27	Allen Countersunk Head Full Thread Screw	M6*30*Ø16	8
28	Motor Bolt Welding	M8*65	1
29	Hex Full Thread Screw	M8*75	1
30	Philips C.K.S.Self-Tapping Screw	ST4*16	38
31	Philips C.K.S.Self-Tapping Screw	ST4*16	20
32	Philips C.K.S.Self-Tapping Screw	ST4*50	2
33	Philips Countersunk Head Self-Tapping Screw	ST3*10	4
34	Philips C.K.S. Full Thread Screw	M5*10	6
35	Philips C.K.S. Full Thread Screw	M4*10	9
36	Philips C.K.S.Self-Tapping Screw	ST4*16	11
37	Philips C.K.S.Self-Tapping Screw	ST4*40	4
38	Philips Pan Head. Full Thread Screw	M3*28	4
39	Philips C.K.S.Self-Tapping Screw	ST4*20	4
40	Philips Washer Head End Cutting.Self-Tapping Screw	ST4*12	8
41	Flat Washer	Ø8	19
42	Flat Washer	Ø10	3
43	Flat Washer	Ø14	2
44	Spring Washer	Ø8	2
45	Spring Washer	Ø5	3
46	Hex Nut	M8	9
47	Hex Nut	M10	3
48	Adjusting Foot Pad	Ø35*37*12*M8	4
49	Square Cushion	35*35*t5.0*Ø8	4
50	Cylinder Cushion	Ø30*30*M6*6	6
51	Serrated Lock Washers	Ø5	3

No.	Description	Specs	Qty
52	Incline Shaft Sleeve	Ø25*Ø17*Ø10*6*1	4
53	Round Side Rail Guider	Ø25*Ø5*4.5	20
54	Front Roller	Ø95×Ø50×Ø17×613×661	1
55	Rear Roller	Ø50×Ø17×586×646	1
56	Hydraulic Compl. Assy	702*330*Ø10*Ø8.2*600N	1
57	Motor	1500W/DC180V/4600RPM/Ø32/	1
58	Incline Motor	1/15HP/110mm/AC220V	1
59	Running Deck	1350*650*t21	1
60	Running Belt	3150×550×t1.8	1
61	Motor Belt	180PJ6	1
62	Side Landing	93*36.5*1424	2
63	Ipad Holder	300*25*20	1
64	Console Back Housing	480*270*83	1
65	Console Shell (Up)	908*458*130	1
66	Console Shell (Down)	908*458*100	1
67	Outlet Assembling Part	300*84*25	1
68	Outlet	148*51*18	1
69	Pressing Plate	22*7.0*6.0	2
70	Pu Handle Bar Cover	636*64*137	2
71	Base Cover L (L)	295*92*228	1
72	Base Cover L (R)	295*92*228	1
73	Base Cover R (L)	295*92*228	1
74	Base Cover R (R)	295*92*228	1
75	Rear Cover	737*157*147	1
76	Motor Cover T85 Incl. Decals	739*382*95	1
77	Front Base Cover	148*88*111.5	2
78	Powder Metallurgy Set	Ø24*Ø19*Ø14*14*3	2
79	Curve Open Tube Plug	40*60*t2.0	2
80	Hollow Round Tube Plug	Ø31.5*55	1
81	Common Cylindrical Spiral Torsion Spring	2219/Ø14*Ø2*14	1
82	Power Line	L-300mm	1
83	Wheels	Ø62*Ø8.0*t22	2
84	Wheels	Ø62*Ø8.0*t22	2
85	T Shape Wrench	6*80	1
86	L Shape Wrench	6*35*80	1
87	Cross Open Wrench	14*17*75	1
88	Magnet Ring	Ø31*Ø19*t16	1
89	Console T85 Compl. Assy		1
90	Speed Sensor	L-500	1
91	Communication Upper	L_800mm	1
92	Communication Middle	L-1300mm	2
93	Communication Lower	L-950mm	1
94	Handle Pulse Communication Wire	L-800mm	2
95	Wire Protect Ring	Ø21*Ø12*9	2
96	Power Board T85	DC220V/1-16KM/H	1
97	Handle Pulse Set	t0.3*42*60	4
98	Incline Handle Quick Key Pcb	L-450mm	1
99	Speed Handle Quick Key Pcb	L-450mm	1
100	Handle Pulse Set Wire	L-1100mm	2
101	Power Line	L-350mm	1
102	Power Line	L-350mm	1

No.	Description	Specs	Qty
103	Communication Line(Ground Line)	L-200mm	2
104	Communication Line(Ground Line)	L-200mm	2
105	Switch		1
106	Handle Quick Key Cover	126*34.5*12	2
107	Self-Reset Switch	10A/250VAC	1
108	Power Line	L-100mm	1
109	Safety Key Fix Plate	106*54*18	1
110	Safety Key Pull Piece	L-700mm	1
111	Safety Key Clips	t0.8*29*5	2
112	Safety Key Connecting Wire	L-500mm	1
113	Safety Key Press Piece	83.5*42.7*33.2	1
114	Pressure Spring	Ø11.8*Ø0.8*24	1
115	Seperated Powrer Cord	3*1.5mm2*2000	1
116	Seperated Powrer Cord Socket	250V/10A	1
117	Hollow Round Tube Plug	Ø35*t1.2	3
118	Cable Clamp		2
119	Silicon Oil	50ml	1
120	Filter	10A	1
121	Choke	10A/L-500	1
122	Console Frame Bracket L	t3.0×125×120/1260×3000	1
123	Console Frame Bracket R	t3.0×125×120/1260×3000	1
124	Outlet Cover	t1.0×125×92/1260×3000	1
89	Console T85 Compl. Assy		1
89-1	Panel	480×270×22	1
89-2	Display Pcb		1
89-3	Keyboard Pcb		1
89-4	Display Overlay		1
89-5	Keyboard Overlay		1
89-6	Usb Port Socket		1
	Incline quick key overlay sticker	32.1×120.7(10 5 0 + -/INCLINE	1
	Speed quick key overlay sticker	32.1×120.7(12 9 6 + -/SPEED	1
HK	Hardware Kit		1





Tunturi New Fitness BV

Purmerweg 1 NL - 1311 XE Almere

P.O. Box 60001 NL - 1320 AA Almere

The Netherlands

www.tunturi.com

info@tunturi.com

