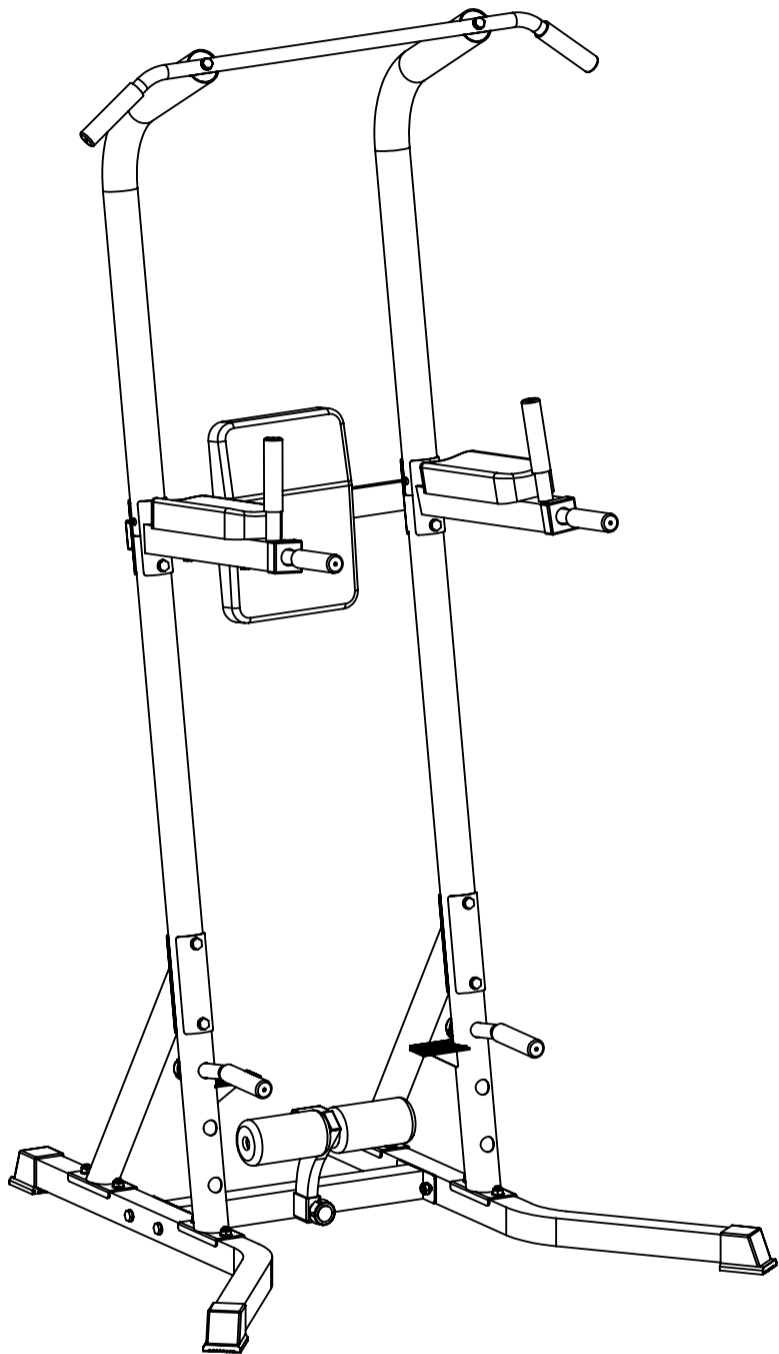


OWNER'S MANUAL

DELUXE POWER TOWER

Model #: 360 DPT



Caution: Read all precautions and instructions in this manual before using this equipment. Save this manual for future reference.

Assembly Instructions

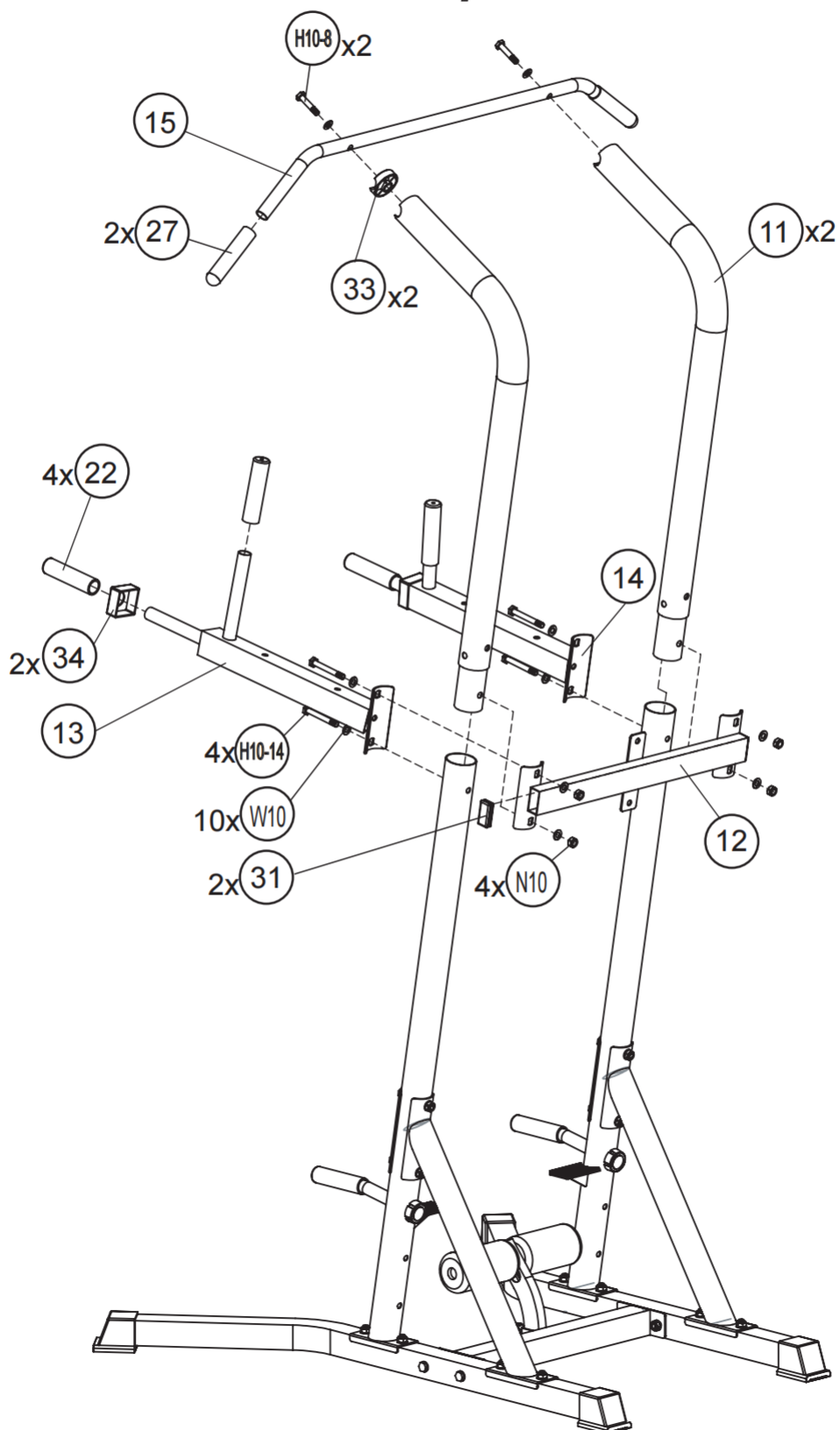
Before Your Begin

This exercise equipment is built for optimum safety. Be sure to read the entire manual before you assemble or operate your equipment. Please note the following safety precautions:

1. Keep children and pets away from the equipment at all times. Do not leave children unattended in the same room with the equipment.
2. Only one person at a time should use the equipment.
3. If the user experiences dizziness, nausea, chest pain, or any other abnormal symptoms STOP the workout at once.
CONSULT A PHYSICIAN IMMEDIATELY.
4. Position the equipment on a clear, level surface. DO NOT use the equipment near water or outdoors.
5. Keep hands away from all moving parts.
6. Always wear appropriate workout clothing when exercising. DO NOT wear robes or other clothing that could become caught in the equipment.
7. Use the equipment only for its intended use as described in this manual. DO NOT use attachments not recommended by the manufacturer.
8. Before using the equipment, always do stretching exercises to properly warm up.
9. Never operate the equipment if the equipment is not functioning properly.

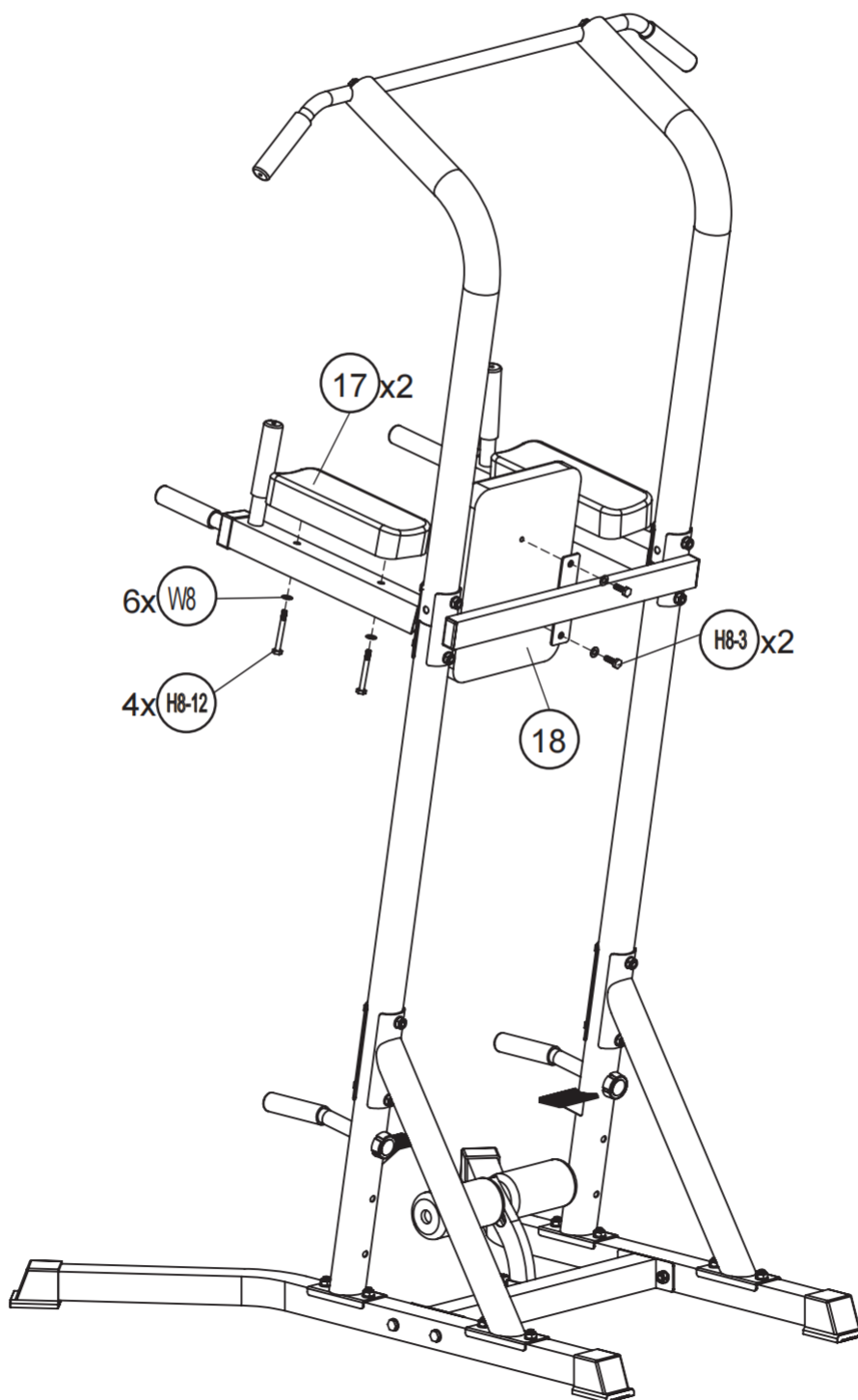
Assembly Instructions

Step 2



Assembly Instructions

Step 3



PARTS LIST

Part No.	Description	Qty.	Remarks
1	Left Lower Main Tube	1	
2	Rear Support Tube	2	
3	Left Base	1	
4	Bracket	2	
5	Lower Cross Brace	1	
6	Right Base	1	
7	Push-up Bar	2	
8	Sit-up Bar Support Frame	1	
9	Right Lower Main Tube	1	
10	Sit-up Bar	1	
11	Upper Main Tube	2	
12	Upper Cross Brace	1	
13	Left Extend Arm	1	
14	Right Extend Arm	1	
15	Pull-up Bar	1	
16	Plastic cap screw	3	
17	Armrest	2	
18	Backrest	1	
19	Dia25mm Inner Cap	2	Pre-assembled
20	Foam Roll	2	
22	Handle Sleeve	6	Pre-assembled
23	F50x50mm Outer Cap	4	
27	Pull-up Foam Grip	2	Pre-assembled
30	F20x40mm Inner Cap	1	Pre-assembled
31	F25x50mm Inner Cap	2	Pre-assembled
32	Rubber Pad	2	Pre-assembled
33	Dia60-26mm Inner Sleeve	2	Pre-assembled
34	F50x50-Dia26mm Outer Sleeve	2	Pre-assembled
H8-3	M8x25mm Hex Head Bolt	2	
H8-12	M8x70mm Hex Head Bolt	4	
C10-11	M10x65mm Carriage Bolt	8	
H10-8	M10x50mm Hex Head Bolt	2	
H10-12	M10x70mm Hex Head Bolt	4	
H10-14	M10x80mm Hex Head Bolt	8	
W8	M8 Washer	6	
W10	M10 Washer	34	
N10	M10 Nut	20	

Limited Warranty

We warrants this product to be free from defects in workmanship and materials under normal use and conditions for a period of **1 year FROM THE DATE OF ORIGINAL PURCHASE**. This Limited Warranty is not transferable and is available only for the original purchaser of the product. The company's obligation under this warranty is limited to replacing or repairing the product, at the discretion of the company.

This Limited Warranty is void if the product is:

Damaged through improper use, negligence, abuse, misuse, transportation damage, act of nature, or accident, include failure to follow the assembly and or operation instructions supplied with the product.

Used in commercial or rental applications.

Modified or repaired by anyone not authorized by the company.

This Limited Warranty does not cover expendable items including but not limited to: Batteries, light bulbs, fuses, accessories, and other items that experience wear as a result of normal use.