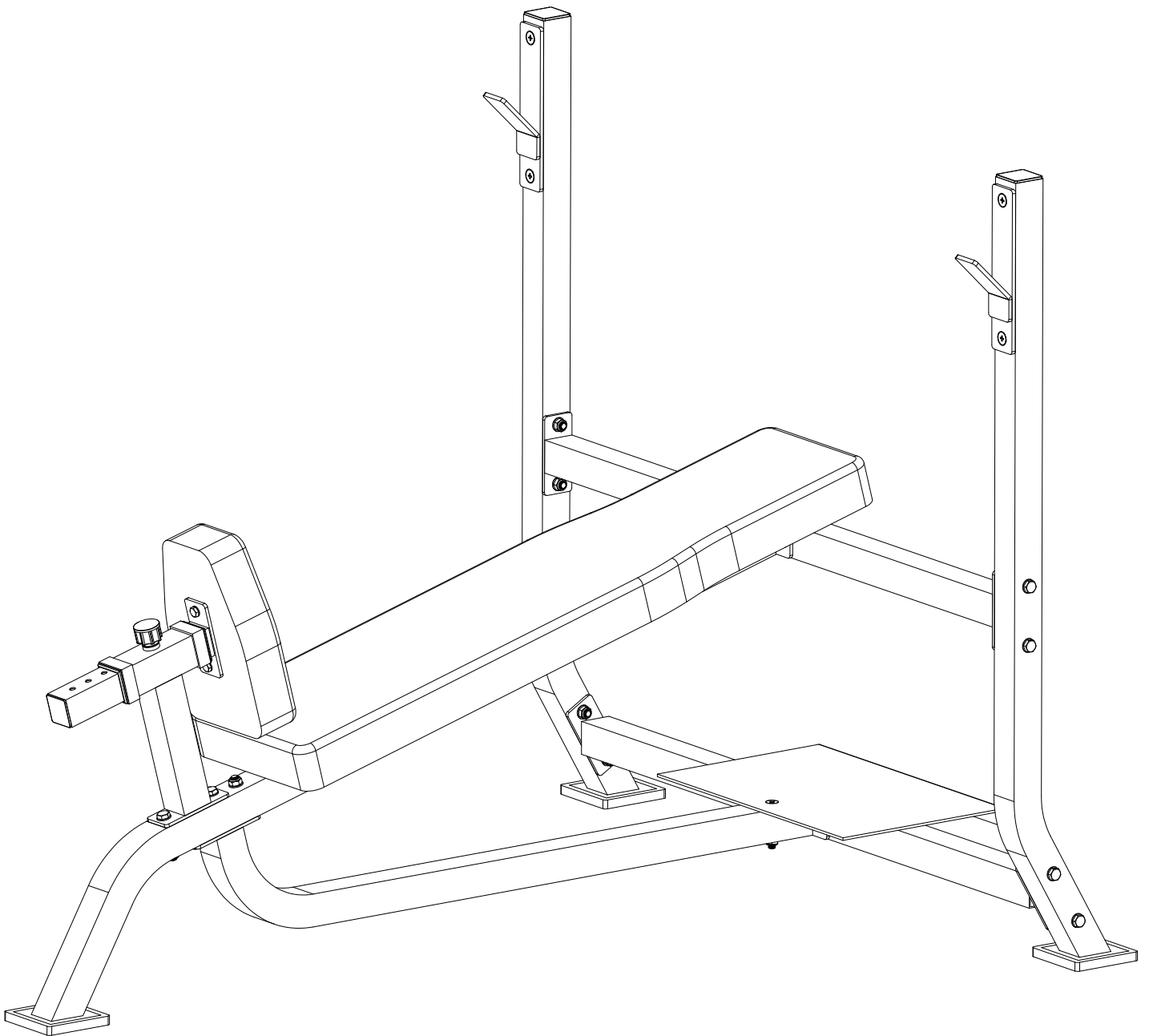


GORILLA SPORTS

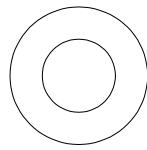
Incline bench with barbell (100864)



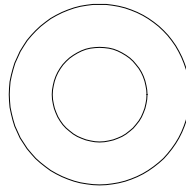


GORILLA SPORTS

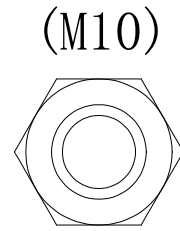
Washer: ($\phi 8$) Washer: ($\phi 10$) Lock Nut:



6X

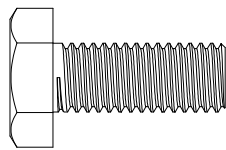


35X

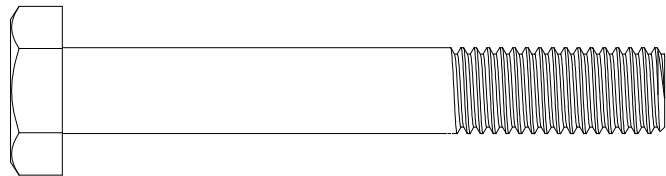


19X

Hex Bolt: (M8*20) Hex Bolt: (M10*70)

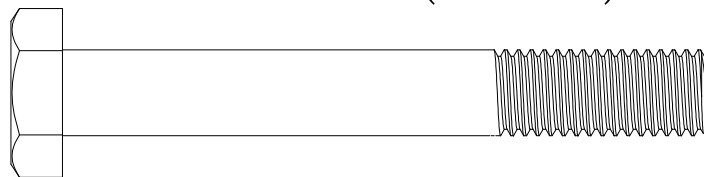


6X



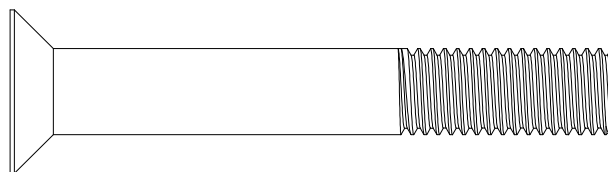
12X

Hex Bolt: (M10*75)



4X

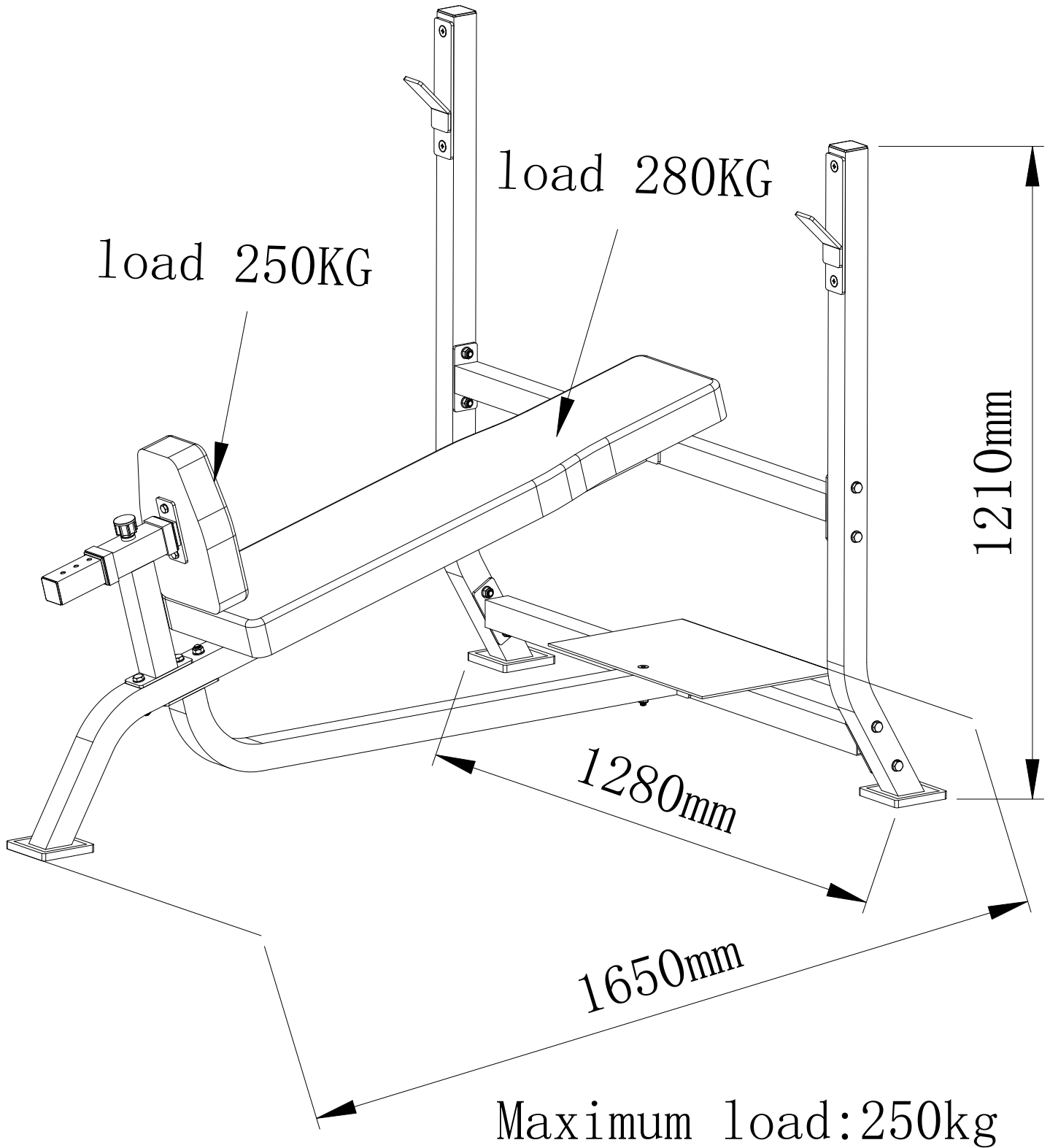
Countersunk Head Bolt: (M10*70)



5X



GORILLA SPORTS



load 250KG

load 280KG

1210mm

1280mm

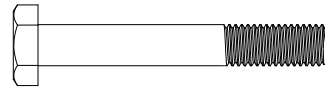
1650mm

Maximum load: 250kg

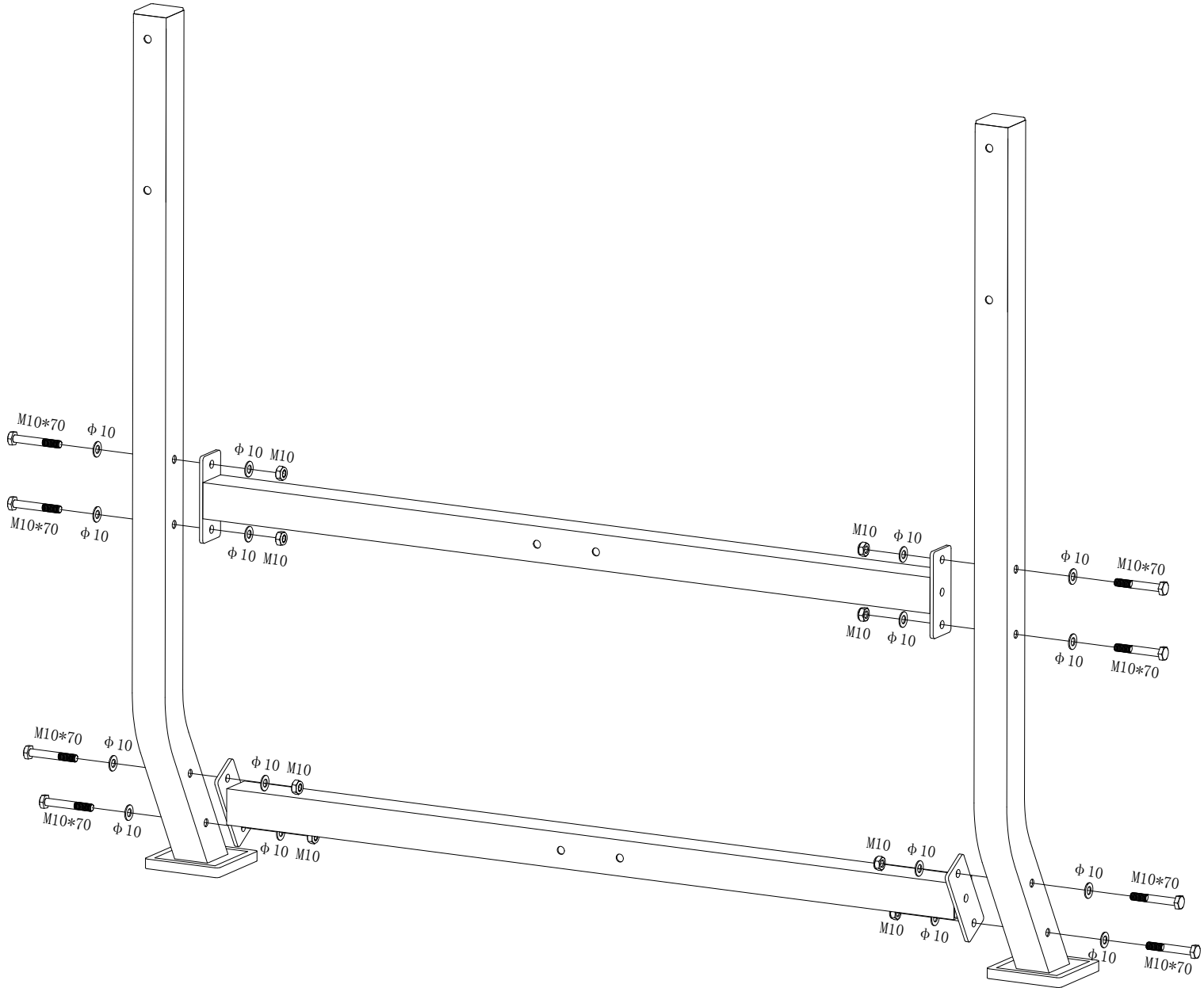
1



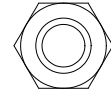
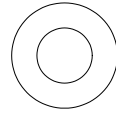
Washer ($\phi 10$)-16PCS Lock Nut (M10)-8PCS



Hex Bolt (M10*70)-8PCS



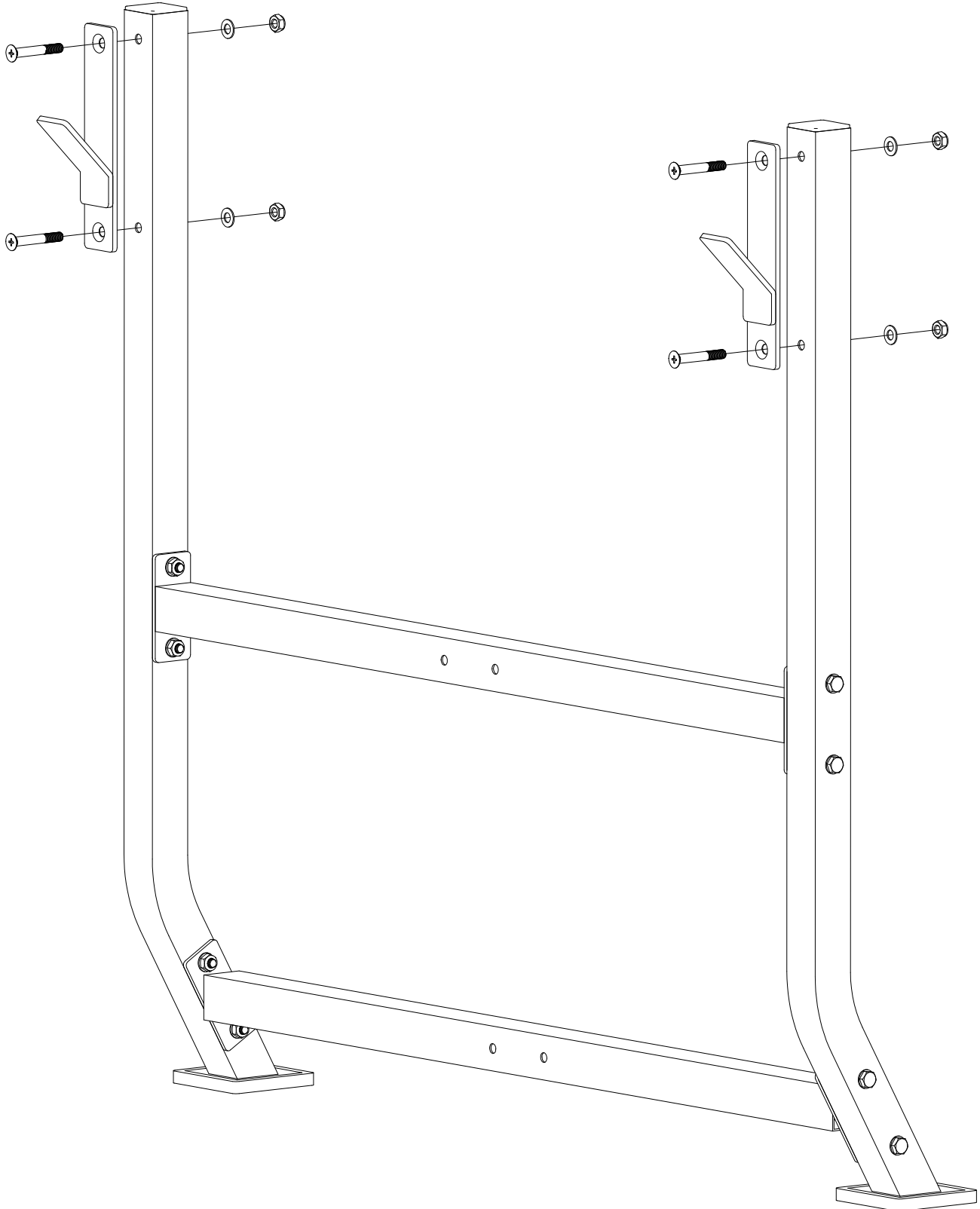
2



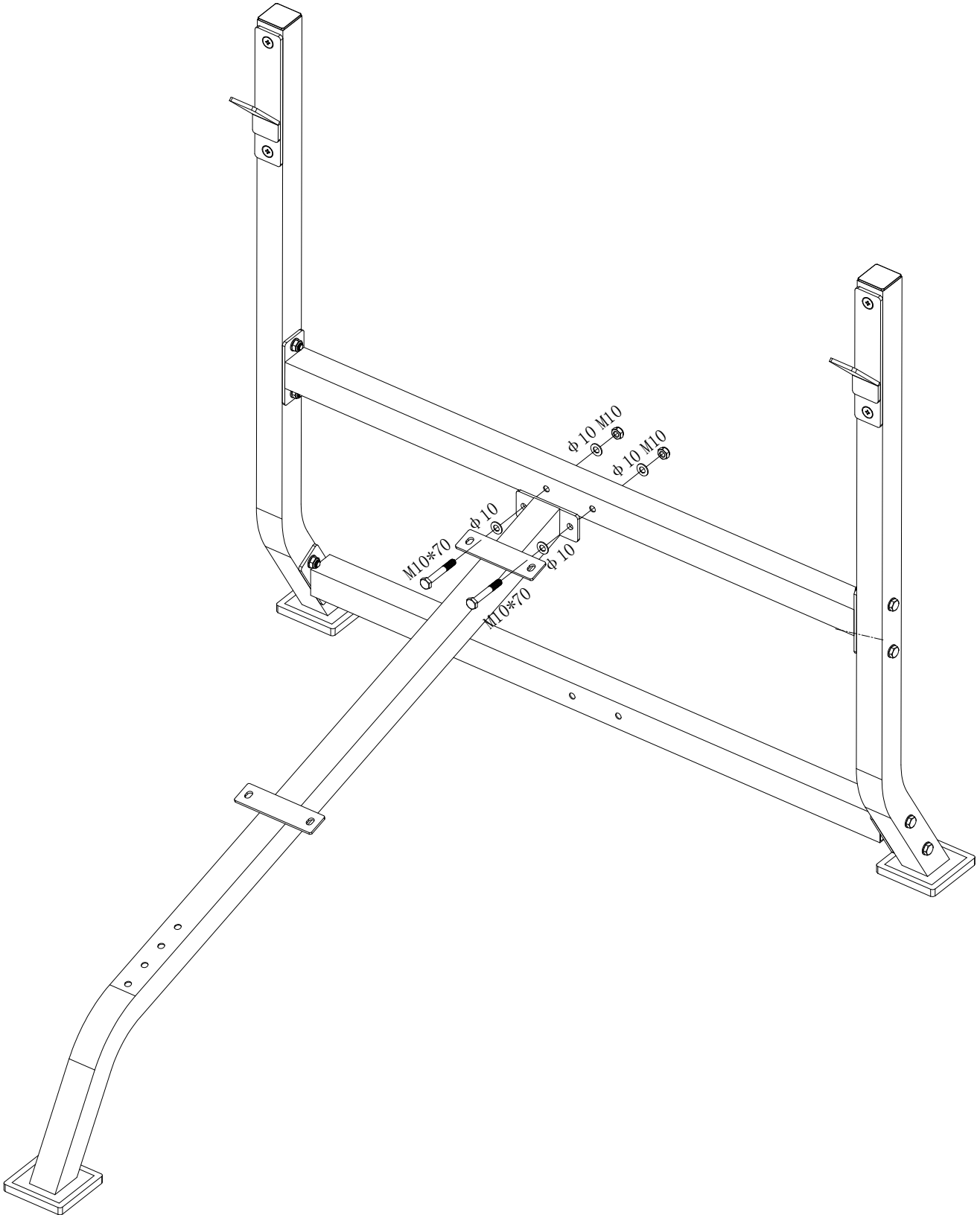
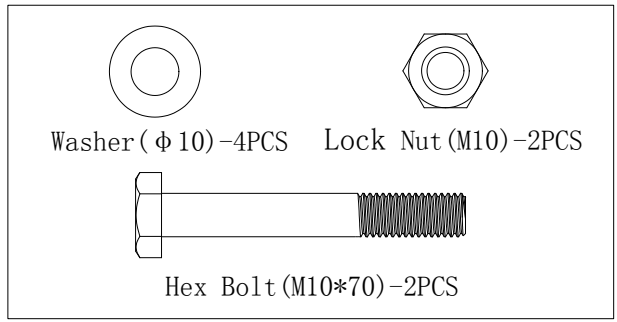
Washer (ϕ 10) - 4PCS Lock Nut (M10) - 4PCS



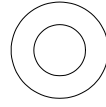
Countersunk Head Bolt (M10*70) - 4PCS



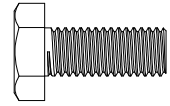
3



5



Washer ($\phi 8$)
-6PCS



Hex Bolt (M8*20)
-6PCS

